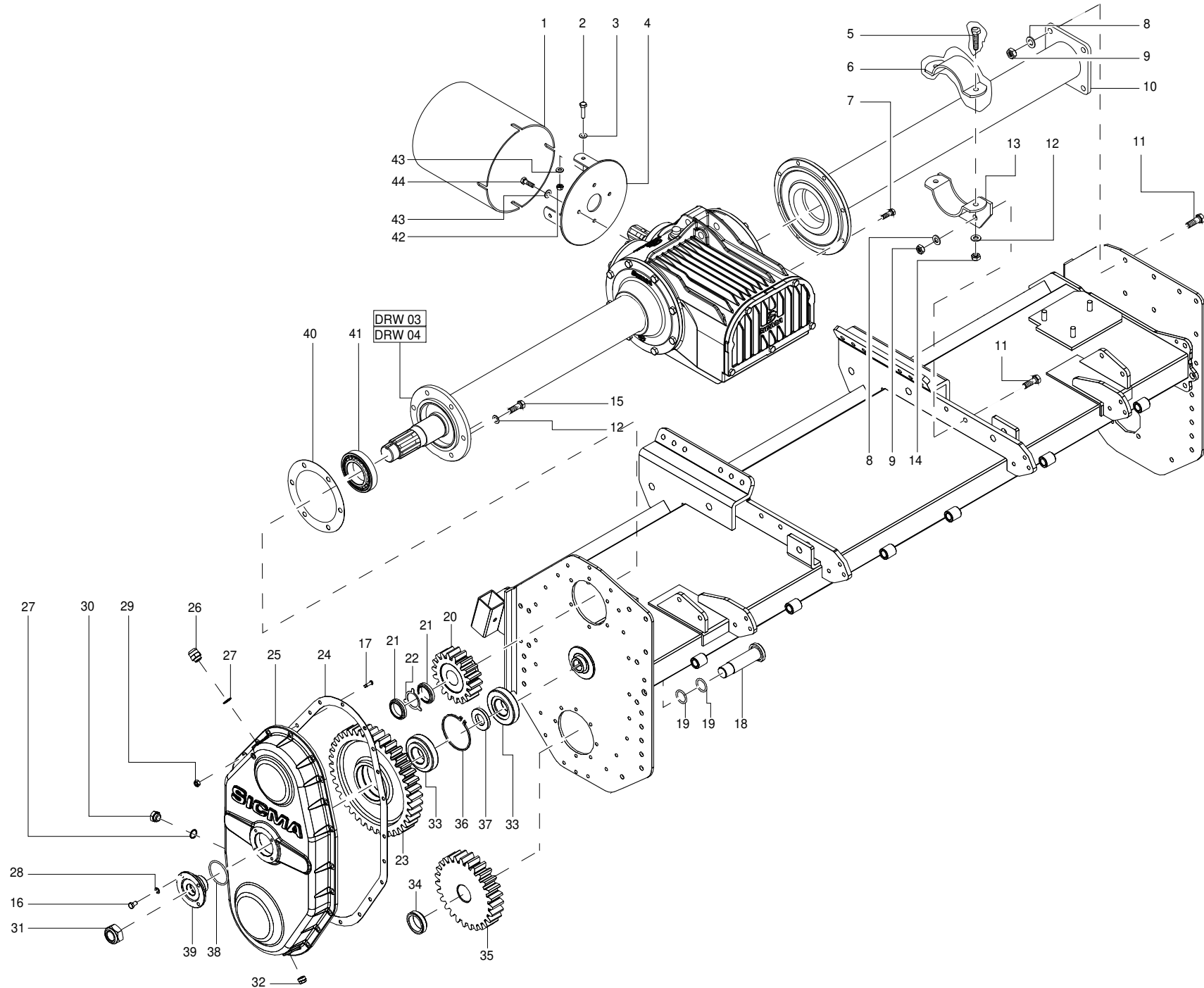


Machine type: TILLER
 Model: RG
 Group: Tractor hitches

Document ID: 902401003
 Revision: 09_12/12/2023 ->
 Table: 01

Reference	P/N	Description	Model #	Quantity
1	8054011	Quick-hitch kit		1
2	6350010	Snap pin DIN11023 D10 galvanised		3
3	4304008	RG/TR 3rd point pin Ø28		2
4	3021108016	Screw UNI5739 8.8 M8x16 galvanised (coarse pitch)		1
5	3625000008	Grower washer DIN1751 C70 Øi8		1
6	3414101008	Nut M8 UNI5587		5
7	5137068	RC/SA coupling support hook clip		1
8	4337005	Driveshafts hook		1
9	5304435	SPR/TRG/TR 3rd point pin Ø25		1
10	4004088	RG top hitch frame		1
11	4004096	RG Rh top hitch frame		1
12	3021114030	Screw UNI5739 8.8 M14x30 galvanised (coarse pitch)		8
13	3021114040	Screw UNI5739 8.8 M14x40 galvanised (coarse pitch)		16
14	4014060	RG/280 Right side longitudinal beam	RG/280	1
14	4004099	RG/305 Right side longitudinal beam	RG/305	1
14	4014017	RG/355 Right side longitudinal beam	RG/355	1
15	6601601	Document holder container - large		1
16	3021108020	Screw UNI5739 8.8 M8x20 galvanised (coarse pitch)		4
17	6351004	Split pin Ad R Ø4 galvanised		4
18	4301589	RC lower 3rd point pin		2
19	4301590	SL/.../FA/.../BH/.../RG lower 3rd point pin		2
20	3444101014	DIN980 self-locking 8 (coarse pitch) M14 zinc plat		24
21	4004097	RG Lh top hitch frame		1
22	4004708	RG lower 3rd point coupling unit		2
23	4014061	RG/280 Left side longitudinal beam	RG/280	1
23	4004100	RG/305 Left side longitudinal beam	RG/305	1
23	4014018	RG/355 Left side longitudinal beam	RG/355	1
24	6392556	Upper jacking pad		1
25	6392856	Lower jacking pad		2
26	5004034	FB/TZF bout cup		2
27	5304434	SPR/TRG 3rd point pin Ø28		2
28	4014027	Att. 3°P. Inf. Sx Cat.2 Q.H. Rg		1
28	4014028	Att. 3°P. Inf. Dx Cat.2 Q.H. Rg		1



Machine type: TILLER

Model: RG

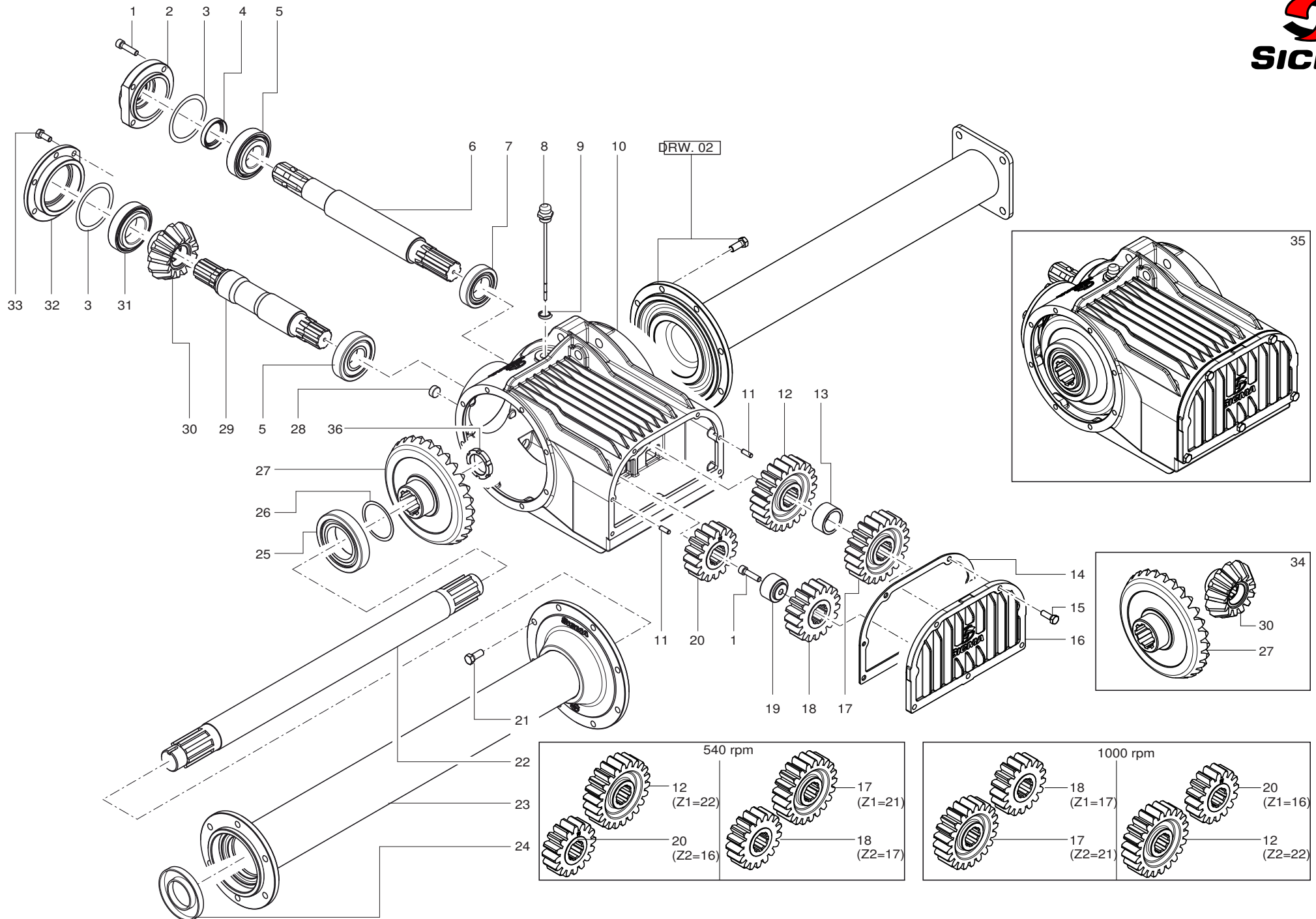
Group: DRIVE

Document ID: 902401003

Revision: 09_12/12/2023 ->

Table: 02

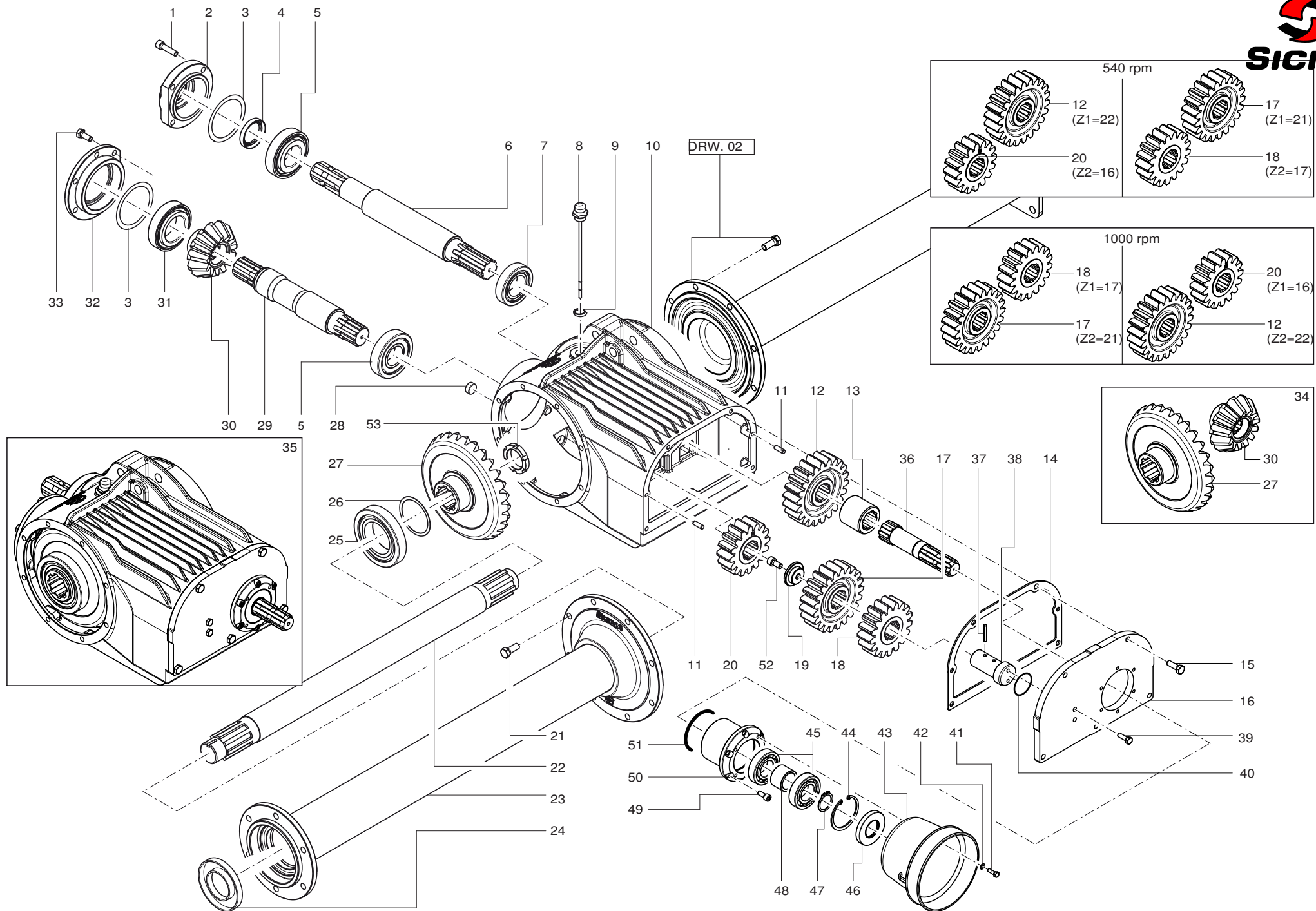
Reference	P/N	Description	Model #	Quantity
1	6654241	Ø240 L=230 cone		1
2	3021108020	Screw UNI5739 8.8 M8x20 galvanised (coarse pitch)		3
3	3625000008	Grower washer DIN1751 C70 Øi8		3
4	4934240	VP/H/SP/RG protection support		4
5	3021112035	Screw UNI5739 8.8 M12x35 galvanised (coarse pitch)		4
6	4834019	RG flat tie		2
7	3021112035	Screw UNI5739 8.8 M12x35 galvanised (coarse pitch)		8
8	3625000014	Grower Washer Ø14 UNI1751		8
9	3414101014	Nut M14 UNI5587 coarse pitch		8
10	4004043	RG255 external support	RG/255	1
10	4014015	External side support	RG/355	1
10	4004044	RG280 external support	RG/280	1
10	4004042	RG230 external support	RG/230	1
10	4004045	RG305 external support	RG/305	1
11	3021114040	Screw UNI5739 8.8 M14x40 galvanised (coarse pitch)		8
12	3625000012	Grower washer DIN1751 C70 Øi12		10
13	4004146	RG extension fastening support		2
14	3414101012	UNI5587 M12 (coarse pitch) zinc plated nut		4
15	3021112020	Screw UNI5739 8.8 M12x20 galvanised (coarse pitch)		6
16	3021110020	Screw UNI5739 8.8 M10x20 galvanised (coarse pitch)		4
17	3021110035	Screw UNI5739 8.8 M10x35 galvanised (coarse pitch)		20
18	4204804	Idler gear pin		1
19	6836220	O-ring 136 2.62x50.47		2
20	4724004	RG driving gear		1
21	34008045	M45x1.5 DIN981 locking ring		2
22	34031045	Safety washer MB M45 DIN5406		1
23	4724002	RG idler gear		1
24	4784119	Gasket for transmission housing RG		1
25	4654121	Cast iron gear cover		1
26	3442022	M22x1.5 valve cap		1
27	6470122	Washer M22 (Al/Cu)		2
28	3625000010	Grower washer DIN1751 C70 Øi10		4
29	3464101010	UNI7473 (coarse pitch) M10 zinc plated nut		20
30	3444022	M22x1.5 porthole cap		1
31	34109033	UNI7474 M33 self-locking coarse pitch Hmax 26mm nu		1
32	3441022	22x1.5 conical cap hexagon 17		1
33	2030310A			2
34	34127050	50x1.5 high self-locking ring		1
35	4724003	RG driven gear		1
36	6310110	Elastic ring Ø110 UNI7437 DIN472		1
37	4594122	RG transmission bearing spacer		1
38	6036231	O-RING 231 3.53x66.27		1
39	4304102	Idler gear flange		1
40	4784734	External side crown support seal		1
41	2032214A	Bearing 32214		1
42	3414101008	Nut M8 UNI5587		3
43	3625000008	Grower washer DIN1751 C70 Øi8		7
44	3021108016	Screw UNI5739 8.8 M8x16 galvanised (coarse pitch)		4



Machine type: TILLER
 Model: RG
 Group: GEARBOX

Document ID: 902401003
 Revision: 09_27/04/2022 ->
 Table: 03

Reference	P/N	Description	Model #	Quantity
1	3051110040	Screw UNI5931 8.8 M10x40 galvanised (coarse pitch)		5
2	12090-01	PTO EZ90 shaft lid		1
3	6018105	80X100x0.5 shim		3
4	6204562	Oil seal 45x62x10 PP DIN3760, AS type		1
5	2830309A	Bearing 30309		2
6	12290-10	PTO shaft 1" 3/4 Z6 EZ90 w/ 2 PTO predisposition		1
7	2832209A	Bearing 32209		1
8	25290-01	M22x1.5 L=200 rod cap 6470122 washer		1
9	6470122	Washer M22 (Al/Cu)		1
10	16590-05	Gear box		1
11	6390820	Centring pin Ø8x20 UNI1707		2
12	12290-06	Z22 M=6 EZ90 straight-tooth spur gear		1
13	15990-01	Gear spacer lateral PTO EZ90		1
14	17890-01	EZ90 Flat rubber seal thickness3 lid		1
15	3021110030	Screw UNI5739 8.8 M10x30 galvanised (coarse pitch)		5
16	16590-03	1 PTO EZ90 gearbox lid 2 PTO arrangement		1
17	12290-05	Z21 M=6 EZ90 straight-tooth spur gear		1
18	12290-04	Z17 M=6 EZ90 straight-tooth spur gear		1
19	13090-01	EZ90 gear block compass sprocket side		1
20	12290-03	Z16 M=6 EZ90 straight-tooth spur gear		1
21	3021112030			8
22	4214060	H-RG230 crown shaft	RG/230	1
22	4214061	H-RG255 crown shaft	RG/255	1
22	4214062	H-RG280 crown shaft	RG/280	1
22	4214063	H-RG305 crown shaft	RG/305	1
22	4214065	Shaft	RG/355	1
23	4004032	Crown shaft support RG230	RG/230	1
23	4004033	Crown shaft support RG255	RG/255	1
23	4004034	Crown shaft support RG280	RG/280	1
23	4004035	Crown shaft support RG305	RG/305	1
23	4014019	Shaft support	RG/355	1
24	6105590	Oil seal 55x90x10 lawnmower DIN3760, A type		1
25	2830214A	Bearing 30214		1
26	6017905	70x79x0.5 shim		1
27	17290-02	Z28 M=8.2 EZ90 conical crown		1
28	3441022	22x1.5 conical cap hexagon 17		1
29	12290-02	EZ90 sprocket shaft		1
30	17290-01	Z13 M=8.2 EZ90 conical sprocket		1
31	2832211A	Bearing 32211		1
32	12090-02	EZ90 sprocket shaft lid		1
33	3021110030	Screw UNI5739 8.8 M10x30 galvanised (coarse pitch)		6
34	80090-10	RG EZ90 bevel gear kit		1
35	80090-07	Gruppo trasmissione RG EZ90 1 PTO (con predisposiz		1
36	3524201045	M45x1.5 self-locking ring galvanised		1



Machine type: TILLER

Document ID: 902401003

Model: RG

Revision: 09_27/04/2022 ->

Group: GEARBOX WITH REAR PTO

Table: 04

Reference	P/N	Description	Model #	Quantity
1	3051110040	Screw UNI5931 8.8 M10x40 galvanised (coarse pitch)		4
2	12090-01	PTO EZ90 shaft lid		1
3	6018105	80X100x0.5 shim		3
4	6204562	Oil seal 45x62x10 PP DIN3760, AS type		1
5	2830309A	Bearing 30309		2
6	12290-10	PTO shaft 1" 3/4 Z6 EZ90 w/ 2 PTO predisposition		1
7	2832209A	Bearing 32209		1
8	25290-01	M22x1.5 L=200 rod cap 6470122 washer		1
9	6470122	Washer M22 (Al/Cu)		1
10	16590-05	Gear box		1
11	6390820	Centring pin Ø8x20 UNI1707		2
12	12290-06	Z22 M=6 EZ90 straight-tooth spur gear		1
13	12290-09	EZ90 grooved hub		1
14	17890-01	EZ90 Flat rubber seal thickness3 lid		1
15	3021110030	Screw UNI5739 8.8 M10x30 galvanised (coarse pitch)		5
16	19390-01	EZ90 gearbox lid with rear PTO		1
17	12290-05	Z21 M=6 EZ90 straight-tooth spur gear		1
18	12290-04	Z17 M=6 EZ90 straight-tooth spur gear		1
19	13090-02	EZ90 (rear PTO) gear block compass sprocket side		1
20	12290-03	Z16 M=6 EZ90 straight-tooth spur gear		1
21	3021112030			8
22	4214060	H-RG230 crown shaft	RG/230	1
22	4214061	H-RG255 crown shaft	RG/255	1
22	4214062	H-RG280 crown shaft	RG/280	1
22	4214063	H-RG305 crown shaft	RG/305	1
22	4214065	Shaft	RG/355	1
23	4004032	Crown shaft support RG230	RG/230	1
23	4004033	Crown shaft support RG255	RG/255	1
23	4004034	Crown shaft support RG280	RG/280	1
23	4004035	Crown shaft support RG305	RG/305	1
23	4014019	Shaft support	RG/355	1
24	6105590	Oil seal 55x90x10 lawnmower DIN3760, A type		1
25	2830214A	Bearing 30214		1
26	6017905	70x79x0.5 shim		1
27	17290-02	Z28 M=8.2 EZ90 conical crown		1
28	3441022	22x1.5 conical cap hexagon 17		1
29	12290-02	EZ90 sprocket shaft		1
30	17290-01	Z13 M=8.2 EZ90 conical sprocket		1
31	2832211A	Bearing 32211		1
32	12090-02	EZ90 sprocket shaft lid		1
33	3021110030	Screw UNI5739 8.8 M10x30 galvanised (coarse pitch)		6
34	80090-10	RG EZ90 bevel gear kit		1
35	80090-08	Gearbox EZ90 with rear PTO		1
36	12290-11	PTO shaft front 1" 3/8 z6 EZ90		1
37	6330640	Elastic pin Ø6x40 UNI6873 galvanised		2
38	13090-03	EZ90 support pivot for gear at rest		1
39	3021108025	SCREW TE UNI 5739 PG 8.8 M 8X25 ZNB		2
40	6036128	O-ring 128 2.62x37.77		1
41	3021108016	Screw UNI5739 8.8 M8x16 galvanised (coarse pitch)		4
42	3614000008	Wide washer UNI6593 100Hv Øi08		4
43	1883510	PTO protection Ø45		1
44	6310072	Elastic ring Ø72 UNI7437 DIN472		1
45	2106207	6207 bearing		2
46	6203572	Oil seal 35x72x10 PP DIN3760, AS type		1
47	6320035	Elastic ring Ø35 UNI7435 DIN471		1
48	15390-01	PTO bearing spacer front EZ90		1
49	3051108020	Screw TCEI M8x20 UNI5931		6
50	12090-03	PTO shaft support front EZ90		1
51	6036236	O-ring 236 3.53 x 82.14		1
52	3051110020	Screw TCEI M10x20 UNI5931		1

Machine type: TILLER

Model: RG

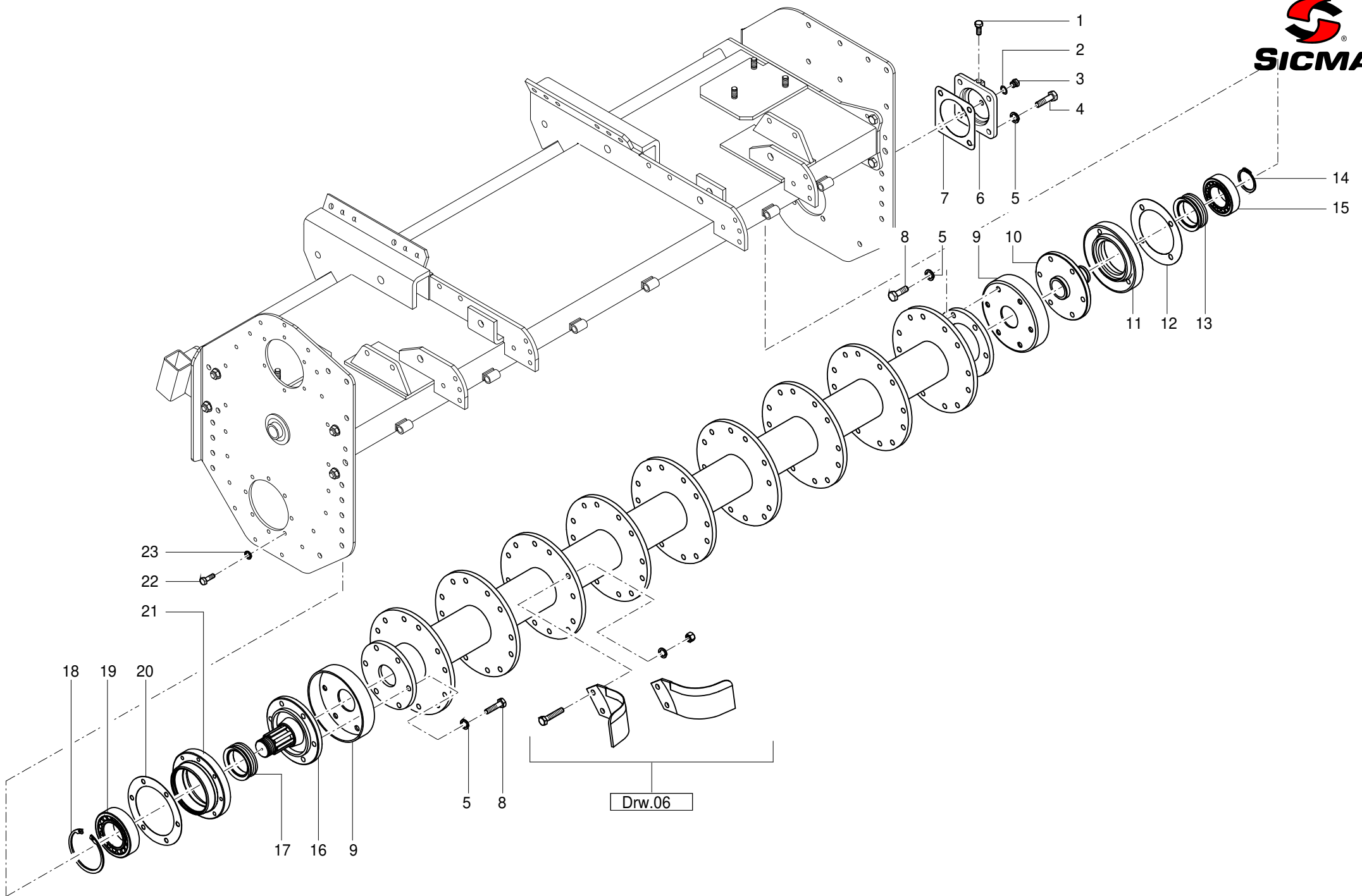
Group: GEARBOX WITH REAR PTO

Document ID: 902401003

Revision: 09_27/04/2022 ->

Table: 04

Reference	P/N	Description	Model #	Quantity
53	3524201045	M45x1.5 self-locking ring galvanised		1



Machine type: TILLER

Model: RG

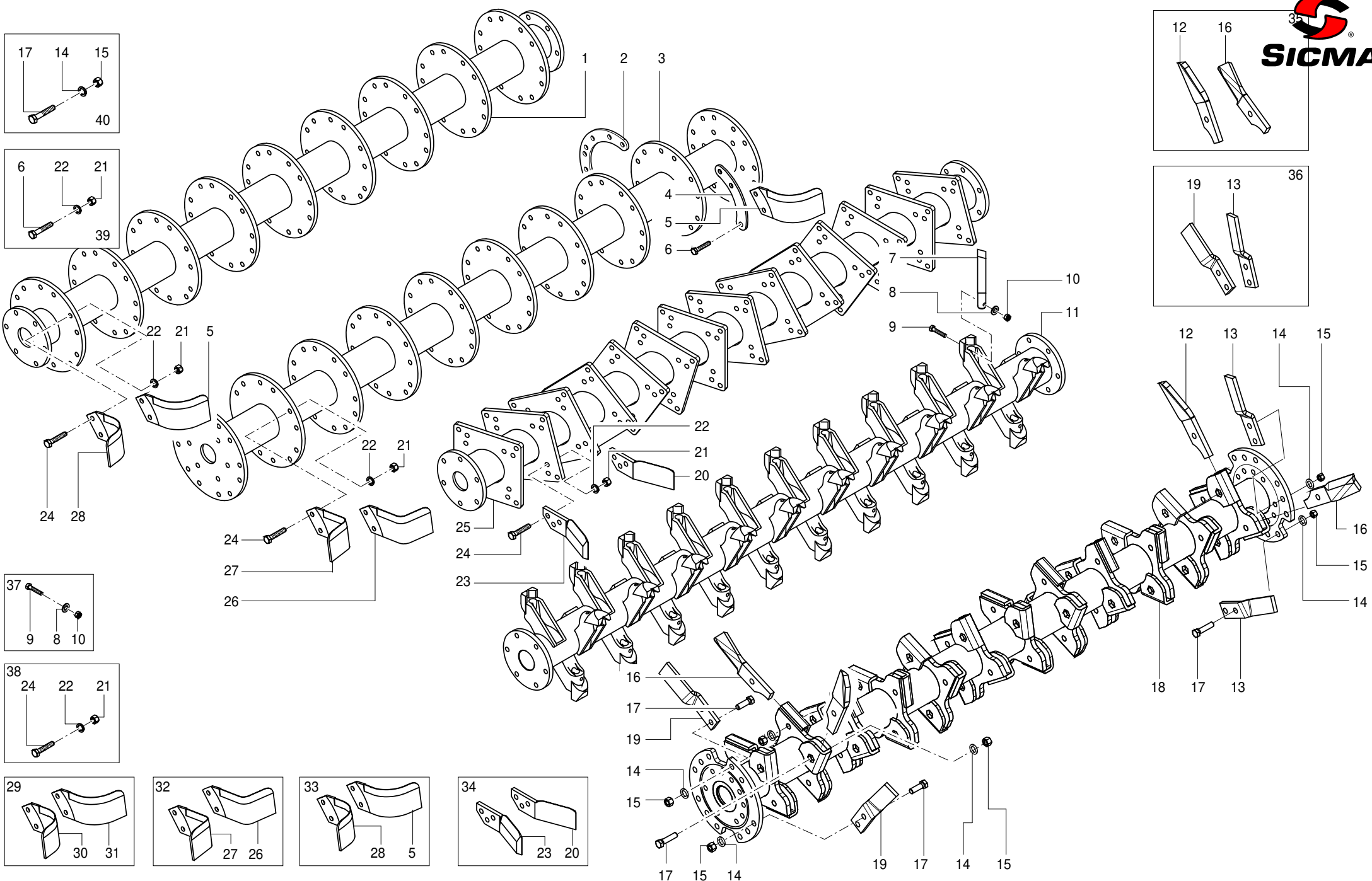
Group: ROTOR SUPPORTS

Document ID: 902401003

Revision: 09_27/04/2022 ->

Table: 05

Reference	P/N	Description	Model #	Quantity
1	3021110010	Screw UNI5739 8.8 M10x10 galvanised (coarse pitch)		1
2	6470114	Washer M14 (Al/Cu)		1
3	3444014	M14x1.5 porthole cap with washer 6470114		1
4	3021114040	Screw UNI5739 8.8 M14x40 galvanised (coarse pitch)		4
5	3635100014	Grower washer Fiat 10188 C70 Øi14 zinc plated		16
6	4644001	SP/RG external support lid		1
7	4784118	SPR support lid seal		1
8	3022114035			12
9	4144098	RG dust cover lid		2
10	4704006	SP/RG external side hub		1
11	4644005	SP/RG/H-2H external support		1
12	4784117	SPR bearing support seal		1
13	6203911	GNL IN6460 oil seal		1
14	6320050	Elastic ring Ø50 UNI7435 DIN471		1
15	2006310A	Bearing 6310		1
16	4724008	SP/RG driven gear hub		1
17	6200750	GNL FT750 oil seal		1
18	6310130	Elastic ring Ø130 UNI7437 DIN472		1
19	2821312A			1
20	4784635	Driven gear support seal		1
21	4704009	SP/RG driven gear support		1
22	3021110030	Screw UNI5739 8.8 M10x30 galvanised (coarse pitch)		8
23	3625000010	Grower washer DIN1751 C70 Øi10		8



Machine type: TILLER

Document ID: 902401003

Model: RG

Revision: 09_27/04/2022 ->

Group: ROTORS AND TOOLS

Table: 06

Reference	P/N	Description	Model #	Quantity
1	4004846	RG230 rotor	RG/230	1
1	4004847	RG255 rotor	RG/255	1
1	4004848	RG280 rotor	RG/280	1
1	4004849	RG305 rotor	RG/305	1
1	4004858	Standard rotor RG355	RG/355	1
2	4934255	SPR/RG 3-hoe counterflange equidistant holes	RG/280	20
2	4934255	SPR/RG 3-hoe counterflange equidistant holes	RG/255	18
2	4934255	SPR/RG 3-hoe counterflange equidistant holes	RG/230	16
2	4934255	SPR/RG 3-hoe counterflange equidistant holes	RG/305	22
3	4004861	RG230 closed rotor	RG/230	1
3	4004862	RG255 closed rotor	RG/255	1
3	4004863	RG280 closed rotor	RG/280	1
3	4004864	RG305 closed rotor	RG/305	1
3	4004865	RG355 closed rotor	RG/355	1
4	4934023	External counterflange (closed rotor)		4
5	4814004	RG curved hoe		0
6	3132114050	Tines screw M14x50 10.9 fil.20 galvanised (fine pi		0
7	4844006	30x30 RG/SPR square tooth	RG/305	58
7	4844006	30x30 RG/SPR square tooth	RG/230	43
7	4844006	30x30 RG/SPR square tooth	RG/255	48
7	4844006	30x30 RG/SPR square tooth	RG/280	53
8	3604100010	Flat washer UNI6592 140Hv Øi10 galvanised		0
9	3011110060s	UNI5737 screw, coarse pitch 8.8 M10x060 flat		0
10	3464101010	UNI7473 (coarse pitch) M10 zinc plated nut		0
11	4004170	RG230 rotor for teeth	RG/230	1
11	4004171	RG255 rotor for teeth	RG/255	1
11	4004172	RG280 rotor for teeth	RG/280	1
11	4004173	RG305 rotor for teeth	RG/305	1
12	4814521	Left Blade Sicma 50x15 1 hole (Kuhn40N)		0
13	4814522	Right side blade Sicma 50x12 2 holes (Howard15)		0
14	3635100016	Grower Fiat washer 10188 C70 Ø16 zinc plated		0
15	3414102016	UNI5587 M16 coarse pitch zinc plated nut		0
16	4814520	Right Blade Sicma 50x15 1 hole (Kuh41N)		0
17	3033216055	Screw UNI5738 10.9 M16x55 galvanised (fine pitch)		0
18	4014302	RG230 rotor for quich-hitch blades	RG/230	1
18	4014303	RG255 rotor for quich-hitch blades	RG/255	1
18	4014304	RG280 rotor for quich-hitch blades	RG/280	1
18	4014305	RG305 rotor for quich-hitch blades	RG/305	1
19	4814523	Left side blade Sicma 50x12 2 holes (Howard15)		0
20	4814514	RG/Rh/RSP knives (3 holes)		0
21	3414102014	UNI5587 M14 coarse pitch zinc plated nut		0
22	3635100014	Grower washer Fiat 10188 C70 Øi14 zinc plated		0
23	4814515	RG/Rh/RSP knives (3 holes)		0
24	3131114045	Tines screw M14x45 8.8 fil.20 galvanised (fine pit		0
25	4004008	Blade rotor RG230	RG/230	1
25	4004009	Blade rotor RG255	RG/255	1
25	4004010	Blade rotor RG280	RG/280	1
25	4004011	Blade rotor RG305	RG/305	1
26	4814002	RG squared hoe		0
27	4814003	RG squared hoe		0
28	4814005	RG curved hoe		0
29	4824006	Kit curve hoes with Htite® coating	RG/230	27
29	4824006	Kit curve hoes with Htite® coating	RG/280	33
29	4824006	Kit curve hoes with Htite® coating	RG/305	36
29	4824006	Kit curve hoes with Htite® coating	RG/355	42
29	4824006	Kit curve hoes with Htite® coating	RG/255	30
30	4814007	RG Htite® curved hoe		0
31	4814006	RG Htite® curved hoe		0
32	4824002	RG squared hoes kit (1x Rh + 1x Lh)	RG/255	30
32	4824002	RG squared hoes kit (1x Rh + 1x Lh)	RG/280	33

Machine type: TILLER

Model: RG

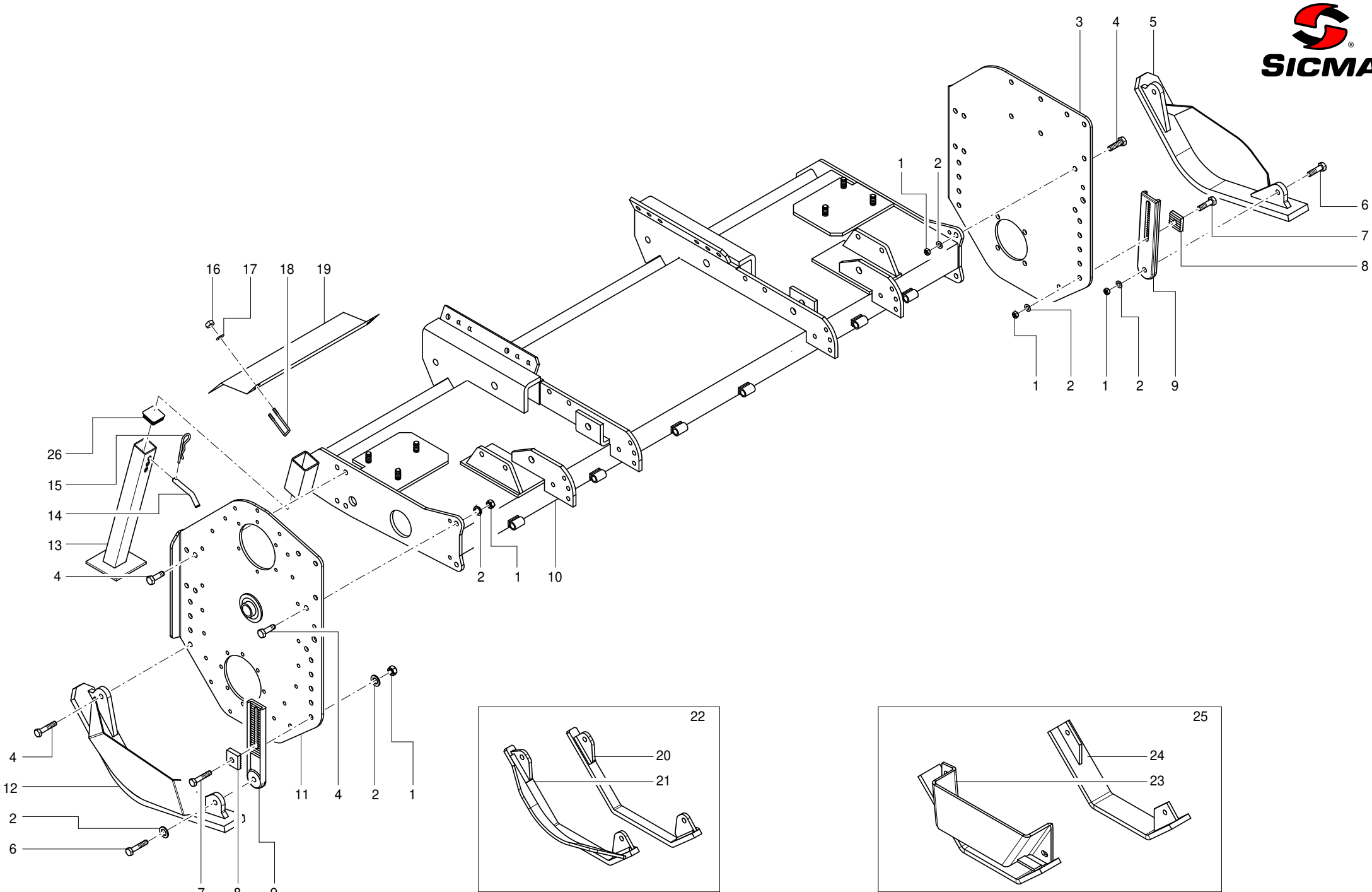
Group: ROTORS AND TOOLS

Document ID: 902401003

Revision: 09_27/04/2022 ->

Table: 06

Reference	P/N	Description	Model #	Quantity
32	4824002	RG squared hoes kit (1x Rh + 1x Lh)	RG/305	36
32	4824002	RG squared hoes kit (1x Rh + 1x Lh)	RG/230	27
33	4824001	RG curved hoes kit (1x Rh + 1x Lh)	RG/255	30
33	4824001	RG curved hoes kit (1x Rh + 1x Lh)	RG/280	33
33	4824001	RG curved hoes kit (1x Rh + 1x Lh)	RG/305	36
33	4824001	RG curved hoes kit (1x Rh + 1x Lh)	RG/230	27
34	4824003	Kit blades 3 holes SPR/RG	RG/230	28
34	4824003	Kit blades 3 holes SPR/RG	RG/255	30
34	4824003	Kit blades 3 holes SPR/RG	RG/280	34
34	4824003	Kit blades 3 holes SPR/RG	RG/305	38
35	4824004	Kit blades 1 hole quick-hitch RG	RG/280	28
35	4824004	Kit blades 1 hole quick-hitch RG	RG/255	26
35	4824004	Kit blades 1 hole quick-hitch RG	RG/305	32
35	4824004	Kit blades 1 hole quick-hitch RG	RG/230	24
36	4824005	Kit side blades 2 holes quick-hitch RG		4
37	8106000043	Kit 43 hoe screws M10x60 nut + washer	RG/230	1
37	8106000048	Kit 48 hoe screws M10x60 nut + washer	RG/255	1
37	8106000053	Kit 53 hoe screws M10x60 nut + washer	RG/280	1
37	8106000058	Kit 58 hoe screws M10x60 nut + washer	RG/305	1
38	8144500108	Kit 108 hoe screws M14x45 nut + washer	RG/230	1
38	8144500120	Kit 120 hoe screws M14x45 nut + washer	RG/255	1
38	8144500132	Kit 132 hoe screws M14x45 nut + washer	RG/280	1
38	8144500144	Kit 144 hoe screws M14x45 nut + washer	RG/305	1
38	8144500168	Kit 168 hoe screws M14x45 nut + washer	RG/230	1
38	8144500180	Kit 180 hoe screws M14x45 nut + washer	RG/255	1
38	8144500204	Kit 204 hoe screws M14x45 nut + washer	RG/280	1
38	8144500228	Kit 228 hoe screws M14x45 nut + washer	RG/305	1
39	8145000108	Kit 108 hoe screws M14x50 nut + washer	RG/230	1
39	8145000120	Kit 120 hoe screws M14x50 nut + washer	RG/255	1
39	8145000132	Kit 132 hoe screws M14x50 nut + washer	RG/280	1
39	8145000144	Kit 144 hoe screws M14x50 nut + washer	RG/305	1
40	8165500064	Kit 64 hoe screws M16x55 nut + washer	RG/230	1
40	8165500068	Kit 68 hoe screws M16x55 nut + washer	RG/255	1
40	8165500072	Kit 72 hoe screws M16x55 nut + washer	RG/280	1
40	8165500080	Kit 80 hoe screws M16x55 nut + washer	RG/305	1



Machine type: TILLER

Model: RG

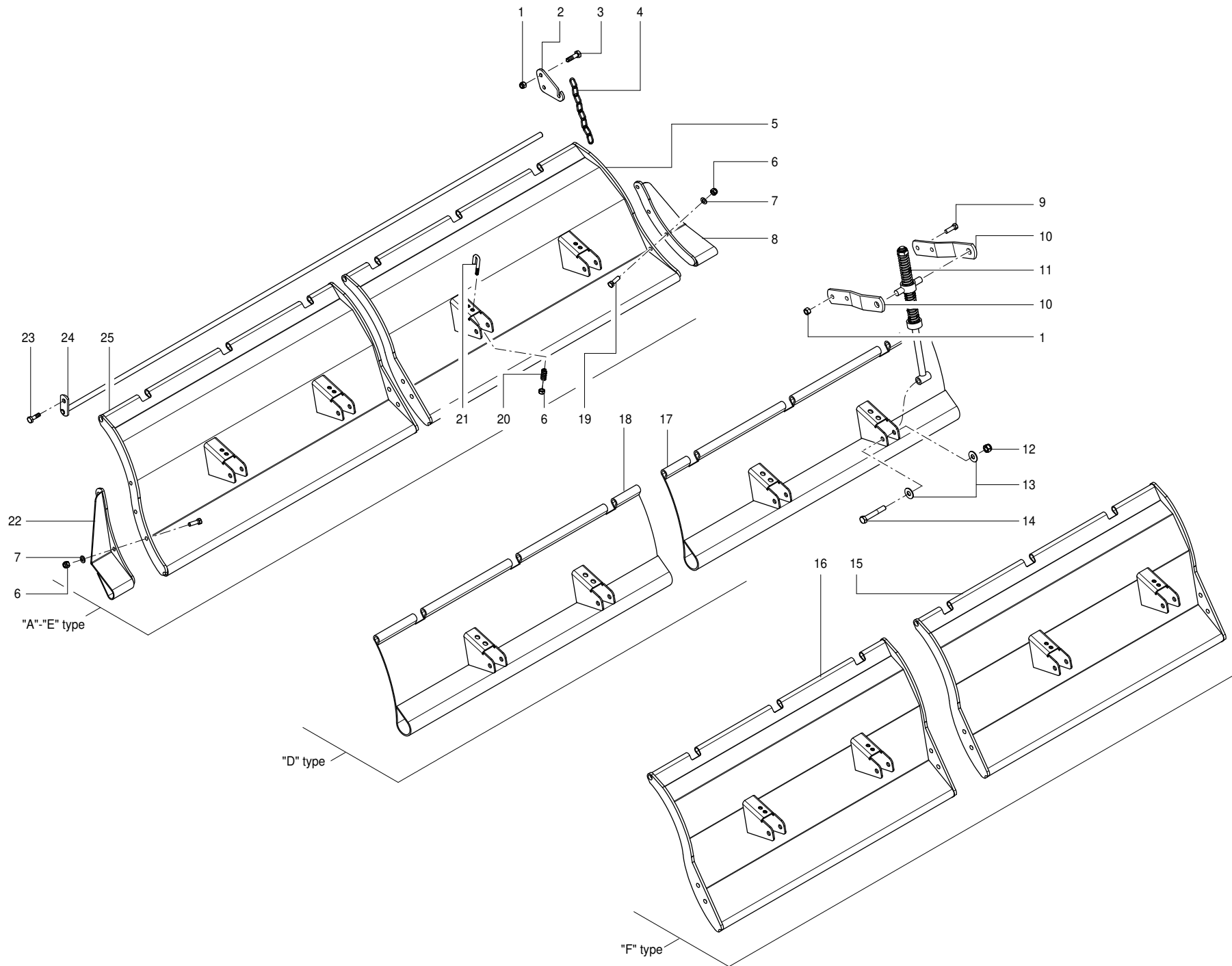
Group: FRAME, GUARDS AND SUPPORTS

Document ID: 902401003

Revision: 09_27/04/2022 ->

Table: 07

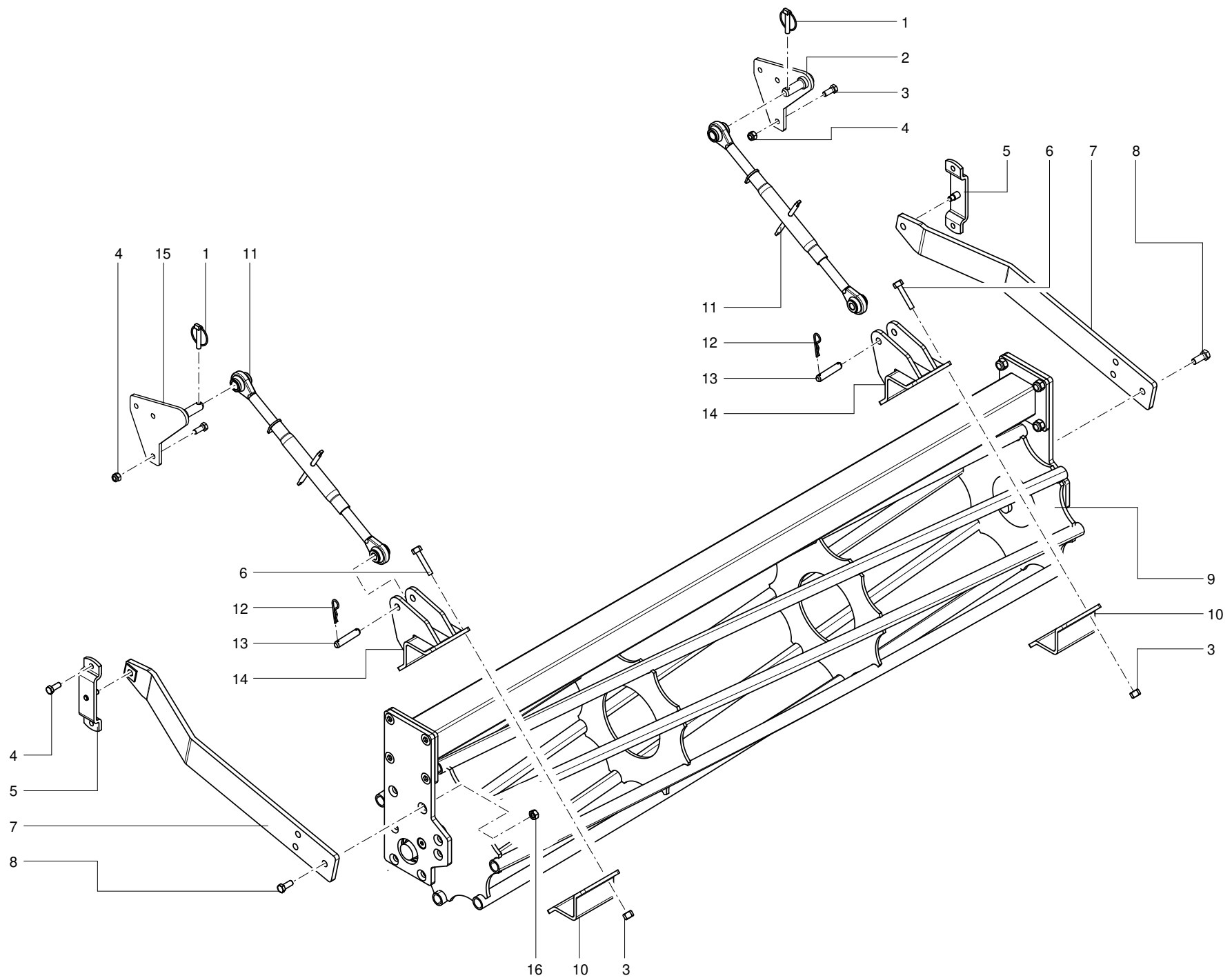
Reference	P/N	Description	Model #	Quantity
1	3414101014	Nut M14 UNI5587 coarse pitch		13
2	3635100014	Grower washer Fiat 10188 C70 Øi14 zinc plated		13
3	4134761			1
4	3021114040	Screw UNI5739 8.8 M14x40 galvanised (coarse pitch)		8
5	4014020	CE RG external slide		1
6	3011114055	Screw TE M14x55 UN I5737		2
7	3011114050	Screw TE M14x50 UNI5737		2
8	4704654	SP/RG regulation rod plate		2
9	4704653	SP/RG slide regulating rod		2
10	4104005	Frame	RG/280	1
10	4104006	Frame	RG/305	1
10	4104004	Frame	RG/255	1
10	4104003	Frame	RG/230	1
10	4104008	Frame	RG/355	1
11	4004709	Transmission Plate		1
12	4014036	CE RG transmission side Slide		1
13	4004058	RG support foot		1
14	4234004	RG fastening pin		1
15	6351003	Split pin Ad R Ø3 galvanised		1
16	3444101008	DIN980 self-locking M8 (coarse pitch) 8 zinc plate		8
17	3604100008	Flat washer UNI6592 140Hv Øi08 galvanised		8
18	4302005	Tie		4
19	4134284	CE Guard	RG/255	2
19	4134285	CE Guard	RG/280	2
19	4134286	CE Guard	RG/305	2
19	4134282	CE Guard	RG/230	2
20	4014022	RG external side slide		1
21	4014037	RG transmission side protection		1
22	8004043	Narrow slides kit		1
23	4014038	CE RG transmission side Slide		1
24	4004145	RG external side protection		1
25	KIT-RG-010	Guards kit RG with rollers		1
26	6602050	Cap for square pipe 50x4		1



Machine type: TILLER
 Model: RG
 Group: REAR LIDS

Document ID: 902401003
 Revision: 09_27/04/2022 ->
 Table: 08

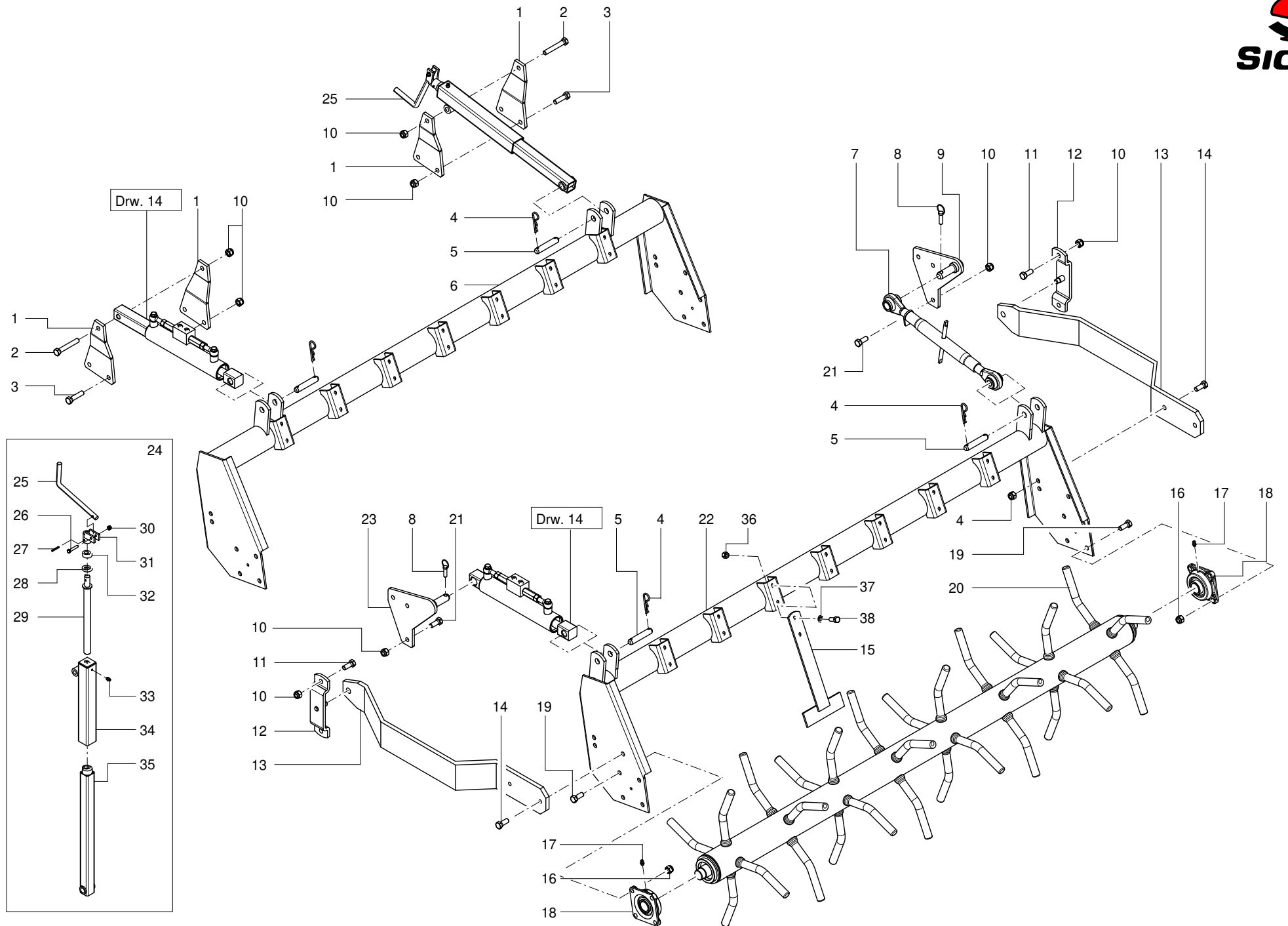
Reference	P/N	Description	Model #	Quantity
1	3414101012	UNI5587 M12 (coarse pitch) zinc plated nut		16
2	4934778	SP/RM/RG chain lid hook		8
3	3021112035	Screw UNI5739 8.8 M12x35 galvanised (coarse pitch)		8
4	4674003	CS/RG/SP lid chain 13 rollers		4
5	4004752	A type bonnet, Rh	RG/230	1
5	4004753	A type bonnet, Rh	RG/255	1
5	4004754	A type bonnet, Rh	RG/280	1
5	4004755	A type bonnet, Rh	RG/305	1
5	4004757	A type bonnet, Rh	RG/355	1
6	3464101012	UNI7473 (coarse pitch) M12 zinc plated nut		10
7	3625000012	Grower washer DIN1751 C70 Øi12		6
8	4014025	RG lid lateral extension right		1
9	3011112050	Screw UNI5737 8.8 M12x50 galvanised (coarse pitch)		8
10	4834002	RD/RG boom for lid regulation		8
11	4002590	Bonnet presses kit		4
12	3464101014	UNI7473 (coarse pitch) M14 zinc plated nut		4
13	3604000014	Flat washer UNI6592 140Hv Øi14		4
14	3011114080	Screw UNI5737 8.8 M14x80 galvanised (coarse pitch)		4
15	4014050	Bonnet press lid type F Right RG230	RG/230	1
15	4014051	Bonnet press lid type F Right RG255	RG/255	1
15	4014052	Bonnet press lid type F Right RG280	RG/280	1
15	4014053	Bonnet press lid type F Right RG305	RG/305	1
15	4014054	Bonnet press lid type F Right RG355	RG/355	1
16	4014055	Bonnet press lid type F Left RG230	RG/230	1
16	4014056	Bonnet press lid type F Left RG255	RG/255	1
16	4014057	Bonnet press lid type F Left RG280	RG/280	1
16	4014058	Bonnet press lid type F Left RG305	RG/305	1
16	4014059	Bonnet press lid type F Left RG355	RG/355	1
17	4004716	D type bonnet, Rh	RG/230	1
17	4004717	D type bonnet, Rh	RG/255	1
17	4004718	D type bonnet, Rh	RG/280	1
17	4004719	D type bonnet, Rh	RG/305	1
18	4004720	D type bonnet, Lh	RG/230	1
18	4004721	D type bonnet, Lh	RG/255	1
18	4004722	D type bonnet, Lh	RG/280	1
18	4004723	D type bonnet, Lh	RG/305	1
19	3021112025	Screw UNI5739 8.8 M12x25 galvanised (coarse pitch)		6
20	4212214	RM/RD/RC shock absorber spring		4
21	4302183	Rear lid spring hook		4
22	4014026	RG lid lateral extension left		1
23	3021112030			1
24	4004791	Bonnet pin	RG/230	1
24	4004793	Bonnet pin	RG/255	1
24	4004795	Bonnet pin	RG/280	1
24	4004796	Bonnet pin	RG/305	1
24	4004798	Bonnet pin	RG/355	1
25	4004758	A type bonnet, Lh	RG/230	1
25	4004759	A type bonnet, Lh	RG/255	1
25	4004760	A type bonnet, Lh	RG/280	1
25	4004761	A type bonnet, Lh	RG/305	1
25	4004774	A type bonnet, Lh	RG/355	1



Machine type: TILLER
Model: RG
Group: CAGE ROLLER

Document ID: 902401003
Revision: 09_27/04/2022 ->
Table: 09

Reference	P/N	Description	Model #	Quantity
1	6350010	Snap pin DIN11023 D10 galvanised		2
2	4004710	Right junction plate		1
3	3021114040	Screw UNI5739 8.8 M14x40 galvanised (coarse pitch)		14
4	3464101014	UNI7473 (coarse pitch) M14 zinc plated nut		12
5	4004022	Roller fastening clamp		2
6	3021114080	Screw TE M14x80 UNI5739		8
7	4004641	Roller arm		2
8	3021118055	Screw M18x50 UNI 5739		4
9	4009885	Ø550 cage roller	RG/230	1
9	4009929	SPR235/RG230 Ø550 cage roller	RG/255	1
9	4009930	Ø550 cage roller	RG/280	1
9	4009931	Ø550 cage roller	RG/305	1
10	4934662	Roller tie-rod coupling tie		2
11	6391320	19.25/320 3rd point boom		2
12	6351004	Split pin Ad R Ø4 galvanised		4
13	4304003	RG fastening tie rod 3rd point pin		2
14	4004646	Tie-rod anchor tie		2
15	4004711	Left junction plate		1
16	3464101018	UNI7473 (coarse pitch) M18 zinc plated nut		4



Machine type: TILLER

Model: RG

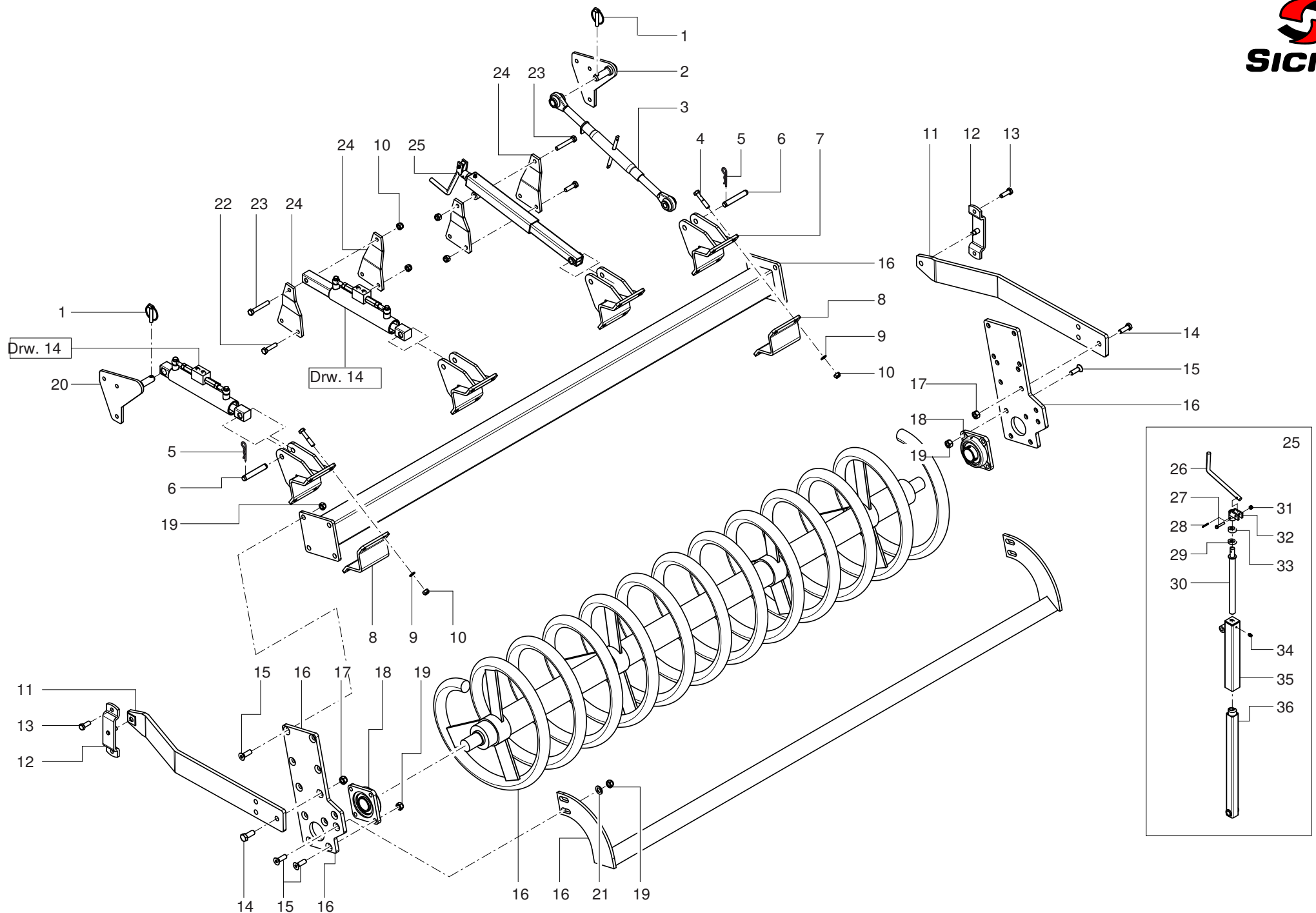
Group: SPIKE ROLLER

Document ID: 902401003

Revision: 09_27/04/2022 ->

Table: 10

Reference	P/N	Description	Model #	Quantity
1	4134097	RG adjustment screw clamp		4
2	3011114085	Screw UNI5737 8.8 M14x85 galvanised (coarse pitch)		2
3	3021114050	Screw UNI5739 8.8 M14x50 galvanised (coarse pitch)		4
4	6351004	Split pin Ad R Ø4 galvanised		4
5	4304003	RG fastening tie rod 3rd point pin		2
6	4005180	SP235 central coupling roller frame	RG/230	1
6	4005181	SP260 central coupling roller frame	RG/255	1
6	4005182	Frame with central fixing	RG/280	1
6	4005183	Frame with central fixing	RG/305	1
7	6391320	19.25/320 3rd point boom		2
8	6331058	Snap pin 10x58		2
9	4004710	Right junction plate		1
10	3464101014	UNI7473 (coarse pitch) M14 zinc plated nut		6
11	3021114040	Screw UNI5739 8.8 M14x40 galvanised (coarse pitch)		4
12	4004022	Roller fastening clamp		2
13	4835027	Packer roller boom		2
14	3021114035	Screw UNI5739 8.8 M14x35 galvanised (coarse pitch)		4
15	4005017	RG roller scraper	RG/230	8
15	4005017	RG roller scraper	RG/305	11
15	4005017	RG roller scraper	RG/280	10
15	4005017	RG roller scraper	RG/255	9
16	3414101014	Nut M14 UNI5587 coarse pitch		8
17	6560006	Type-A greaser UNI7663 M6x1		2
18	2000035	UCF-207 support		2
19	3021114030	Screw UNI5739 8.8 M14x30 galvanised (coarse pitch)		8
20	4005422	Spike roller SPR230	RG/230	1
20	4005423	Spike roller SPR255	RG/255	1
20	4005424	Spike roller	RG/280	1
20	4005425	Spike roller	RG/305	1
21	3021114040	Screw UNI5739 8.8 M14x40 galvanised (coarse pitch)		6
22	4005112	Roller frame SP235 side coupling	RG/230	1
22	4005113	Frame for roller RG255	RG/255	1
22	4005114	Frame with lateral fixing	RG/280	1
22	4005115	Frame with lateral fixing	RG/305	1
23	4004711	Left junction plate		1
24	4004147	RG roller adjustment		2
25	4334001	RG/SP adjustment crank		2
26	3011108040	Screw UNI5737 8.8 M08x040 galvanised (coarse pitch)		2
27	6330536	Elastic pin Ø5x36 UNI6873 galvanised		2
28	3604000020	Flat washer Ø20 UNI6592		2
29	4004150	Roller adjustment		2
30	3464101008	UNI7473 (coarse pitch) M8 zinc plated nut		2
31	4005303	crank coupling		2
32	4333039	VM/V1003/VSL little end oil seal bushing		2
33	6561006	Greaser UNI7663 M6x1		2
34	4004148	External regulation pipe		2
35	4004149	Inner regulation pipe		2
36	3414101012	UNI5587 M12 (coarse pitch) zinc plated nut	RG/280	20
36	3414101012	UNI5587 M12 (coarse pitch) zinc plated nut	RG/230	16
36	3414101012	UNI5587 M12 (coarse pitch) zinc plated nut	RG/305	22
36	3414101012	UNI5587 M12 (coarse pitch) zinc plated nut	RG/255	18
37	3625100012	Grower washer DIN1751 C70 Øi12 zinc plated	RG/305	22
37	3625100012	Grower washer DIN1751 C70 Øi12 zinc plated	RG/280	20
37	3625100012	Grower washer DIN1751 C70 Øi12 zinc plated	RG/255	18
37	3625100012	Grower washer DIN1751 C70 Øi12 zinc plated	RG/230	16
38	3021112030		RG/280	20
38	3021112030		RG/255	18
38	3021112030		RG/230	16
38	3021112030		RG/305	22



Machine type: TILLER

Document ID: 902401003

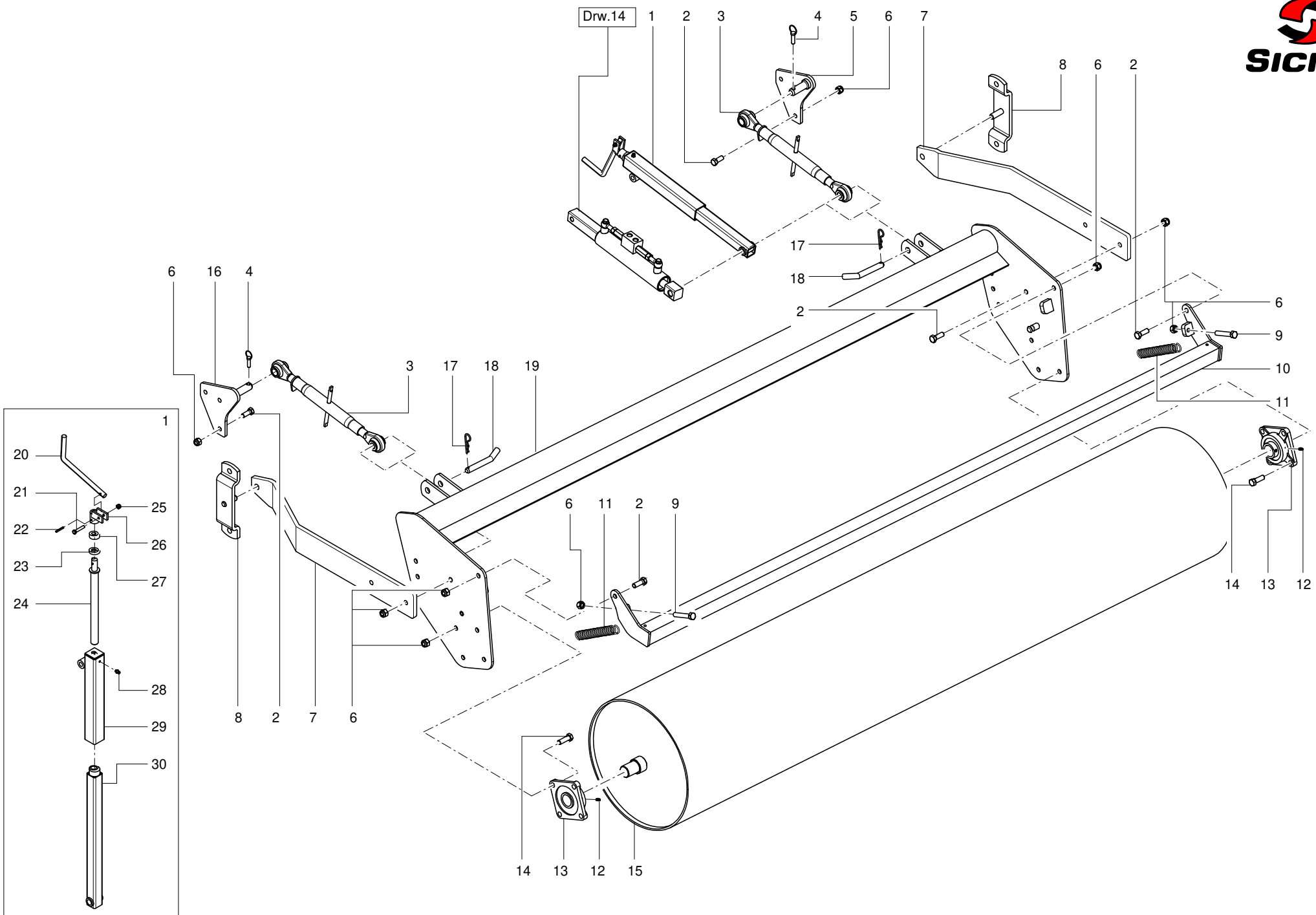
Model: RG

Revision: 09_27/04/2022 ->

Group: SPIRAL ROLLER

Table: 11

Reference	P/N	Description	Model #	Quantity
1	6350010	Snap pin DIN11023 D10 galvanised		2
2	4004028	Right junction plate		1
3	6391320	19.25/320 3rd point boom		2
4	3021114070	Screw TE M14x70 UNI5739		8
5	6351004	Split pin Ad R Ø4 galvanised		4
6	4304003	RG fastening tie rod 3rd point pin		2
7	4004646	Tie-rod anchor tie		2
8	4934662	Roller tie-rod coupling tie		2
9	3604000014	Flat washer UNI6592 140Hv Øi14		8
10	3464101014	UNI7473 (coarse pitch) M14 zinc plated nut		12
11	4004645	Spiral roller side boom		2
12	4004022	Roller fastening clamp		2
13	3021114040	Screw UNI5739 8.8 M14x40 galvanised (coarse pitch)		4
14	3021118050	Screw TE M18x50 UNI5739		4
15	3062214035	Screw UNI5933 10.9 M14x35 galvanised+D (coarse pit		20
16	4004662	Spiral roller kit RG255	RG/230	1
16	4004663	Spiral roller kit RG255	RG/255	1
16	4004664	Spiral roller kit RG280	RG/280	1
16	4004665	Spiral roller kit RG305	RG/305	1
16	4004666	Spiral roller kit RG355	RG/355	1
17	3464101018	UNI7473 (coarse pitch) M18 zinc plated nut		4
18	2000050	UCF-210 support		2
19	3464101016	UNI7473 (coarse pitch) M16 zinc plated nut		20
20	4004029	Left junction plate		1
21	3604000016	Flat washer UNI6592 140Hv Øi16		4
22	3021114050	Screw UNI5739 8.8 M14x50 galvanised (coarse pitch)		4
23	3011114085	Screw UNI5737 8.8 M14x85 galvanised (coarse pitch)		2
24	4134097	RG adjustment screw clamp		4
25	4004147	RG roller adjustment		2
26	4334001	RG/SP adjustment crank		2
27	3011108040	Screw UNI5737 8.8 M08x040 galvanised (coarse pitch)		2
28	6330536	Elastic pin Ø5x36 UNI6873 galvanised		2
29	3604000020	Flat washer Ø20 UNI6592		2
30	4004150	Roller adjustment		2
31	3464101008	UNI7473 (coarse pitch) M8 zinc plated nut		2
32	4005303	crank coupling		2
33	4333039	VM/V1003/VSL little end oil seal bushing		2
34	6561006	Greaser UNI7663 M6x1		2
35	4004148	External regulation pipe		2
36	4004149	Inner regulation pipe		2



Machine type: TILLER

Model: RG

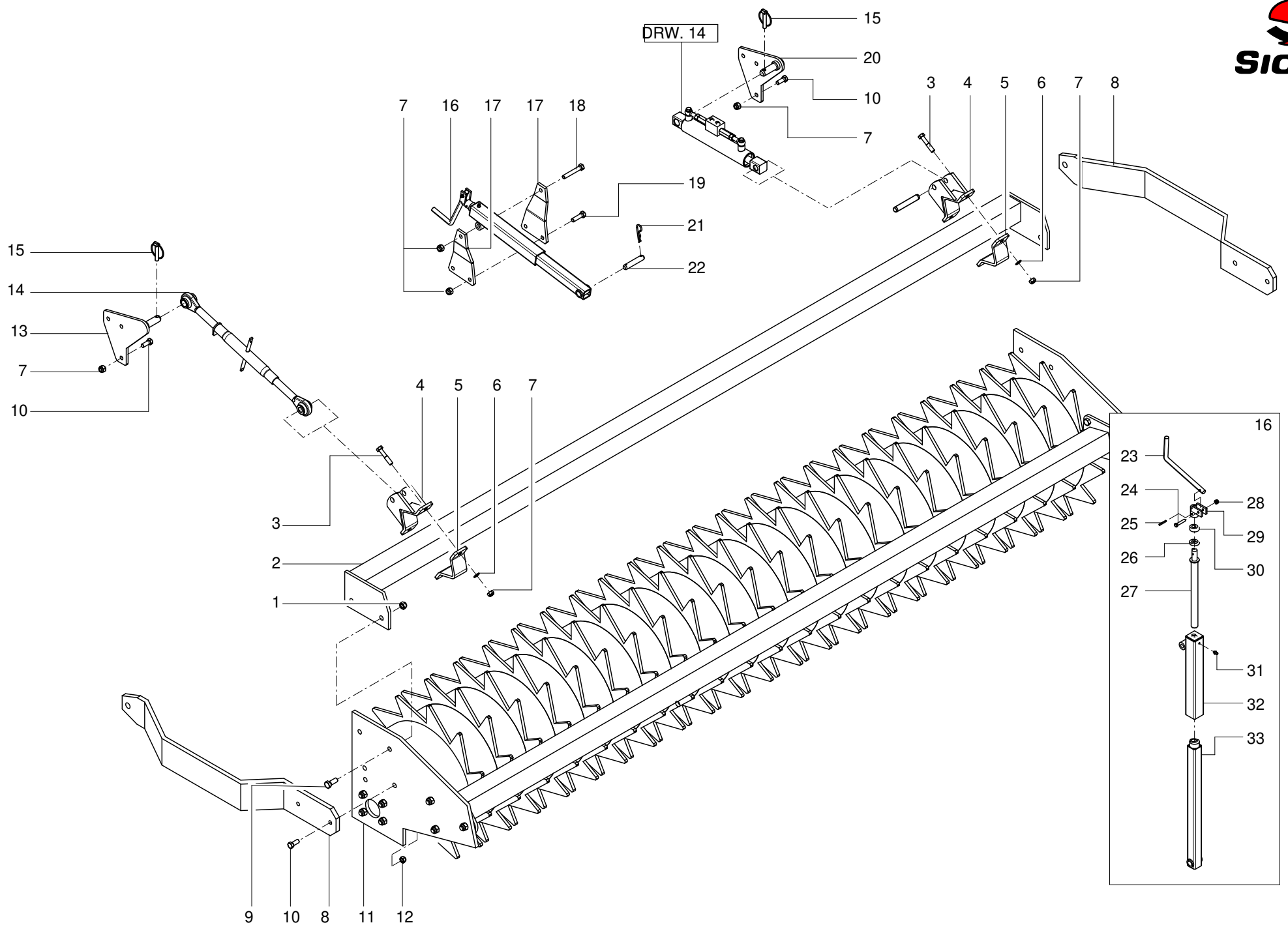
Group: SMOOTH ROLLER

Document ID: 902401003

Revision: 09_27/04/2022 ->

Table: 12

Reference	P/N	Description	Model #	Quantity
1	4004147	RG roller adjustment		2
2	3021114040	Screw UNI5739 8.8 M14x40 galvanised (coarse pitch)		6
3	6391320	19.25/320 3rd point boom		2
4	6351004	Split pin Ad R Ø4 galvanised		2
5	4004710	Right junction plate		1
6	3464101014	UNI7473 (coarse pitch) M14 zinc plated nut		12
7	4934418	Roller support boom		2
8	4004022	Roller fastening clamp		2
9	3021114080	Screw TE M14x80 UNI5739		2
10	4004493	Scraper	RG/230	1
10	4004494	Scraper smooth SPR260 RG255	RG/255	1
10	4004496	Scraper	RG/280	1
10	4004497	Scraper RG305	RG/305	1
11	4211802	Stone guard tension spring		2
12	6560006	Type-A greaser UNI7663 M6x1		2
13	2000040	UCF-208 support		2
14	3021114045	Screw UNI5739 8.8 M14x45 galvanised (coarse pitch)		8
15	4004615	Smooth roller Ø450 SPR235	RG/230	1
15	4004616	Smooth roller Ø450 SPR260	RG/255	1
15	4004617	Roller Ø450 SPR/210	RG/280	1
15	4004618	Smooth roller RG305	RG/305	1
16	4004711	Left junction plate		1
17	6351004	Split pin Ad R Ø4 galvanised		2
18	4301591	Long upper 3rd point pin		2
19	4004647	Roller frame	RG/280	1
19	4004648	Roller frame RG305	RG/305	1
19	4004678	Roller frame	RG/230	1
19	4004679	Roller frame	RG/255	1
20	4334001	RG/SP adjustment crank		2
21	3011108040	Screw UNI5737 8.8 M08x040 galvanised (coarse pitch)		2
22	6330536	Elastic pin Ø5x36 UNI6873 galvanised		2
23	3604000020	Flat washer Ø20 UNI6592		2
24	4004150	Roller adjustment		2
25	3464101008	UNI7473 (coarse pitch) M8 zinc plated nut		2
26	4005303	crank coupling		2
27	4333039	VM/V1003/VSL little end oil seal bushing		2
28	6561006	Greaser UNI7663 M6x1		2
29	4004148	External regulation pipe		2
30	4004149	Inner regulation pipe		2



Machine type: TILLER

Model: RG

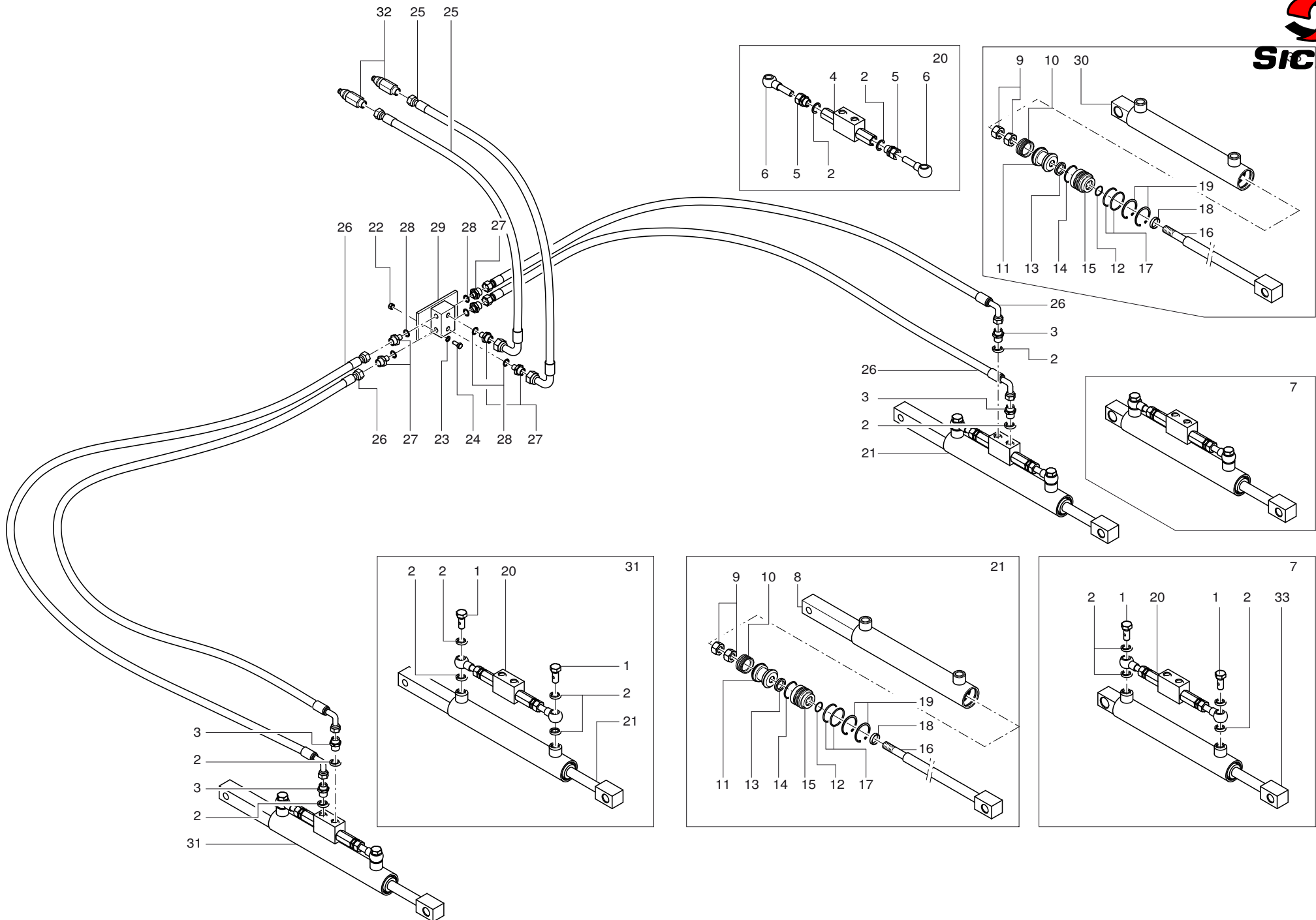
Group: PACKER ROLLER

Document ID: 902401003

Revision: 09_27/04/2022 ->

Table: 13

Reference	P/N	Description	Model #	Quantity
1	3464101016	UNI7473 (coarse pitch) M16 zinc plated nut		4
2	4005150	Low support	RG/230	1
2	4005151	Low support	RG/255	1
2	4005152	Low support	RG/280	1
2	4005153	Low support	RG/305	1
3	3021114070	Screw TE M14x70 UNI5739		4
4	4005006	Packer roller coupling		2
5	4834010	Clamp for square tubes of 70-80		2
6	3604000014	Flat washer UNI6592 140Hv Øi14		4
7	3464101014	UNI7473 (coarse pitch) M14 zinc plated nut		10
8	4835027	Packer roller boom		2
9	3062216040	Screw TSEI M16x40 UNI5933		4
10	3062214040	Screw TSEI M14x40 UNI5933		10
11	4004695	Complete packer roller	RG/230	1
11	4004696	Complete packer roller	RG/255	1
11	4004697	Complete packer roller	RG/280	1
11	4004698	Complete packer roller	RG/305	1
12	3464101014	UNI7473 (coarse pitch) M14 zinc plated nut		4
13	4004711	Left junction plate		1
14	6391320	19.25/320 3rd point boom		2
15	6350010	Snap pin DIN11023 D10 galvanised		2
16	4004147	RG roller adjustment		2
17	4134097	RG adjustment screw clamp		4
18	3011114085	Screw UNI5737 8.8 M14x85 galvanised (coarse pitch)		2
19	3011114085	Screw UNI5737 8.8 M14x85 galvanised (coarse pitch)		4
20	4004710	Right junction plate		1
21	6351004	Split pin Ad R Ø4 galvanised		4
22	4304003	RG fastening tie rod 3rd point pin		2
23	4334001	RG/SP adjustment crank		1
24	3011108040	Screw UNI5737 8.8 M08x040 galvanised (coarse pitch)		1
25	6330536	Elastic pin Ø5x36 UNI6873 galvanised		1
26	3604000020	Flat washer Ø20 UNI6592		1
27	4004150	Roller adjustment		1
28	3464101008	UNI7473 (coarse pitch) M8 zinc plated nut		1
29	4005303	crank coupling		1
30	4333039	VM/V1003/VSL little end oil seal bushing		1
31	6561006	Greaser UNI7663 M6x1		1
32	4004148	External regulation pipe		1
33	4004149	Inner regulation pipe		1



Machine type: TILLER

Model: RG

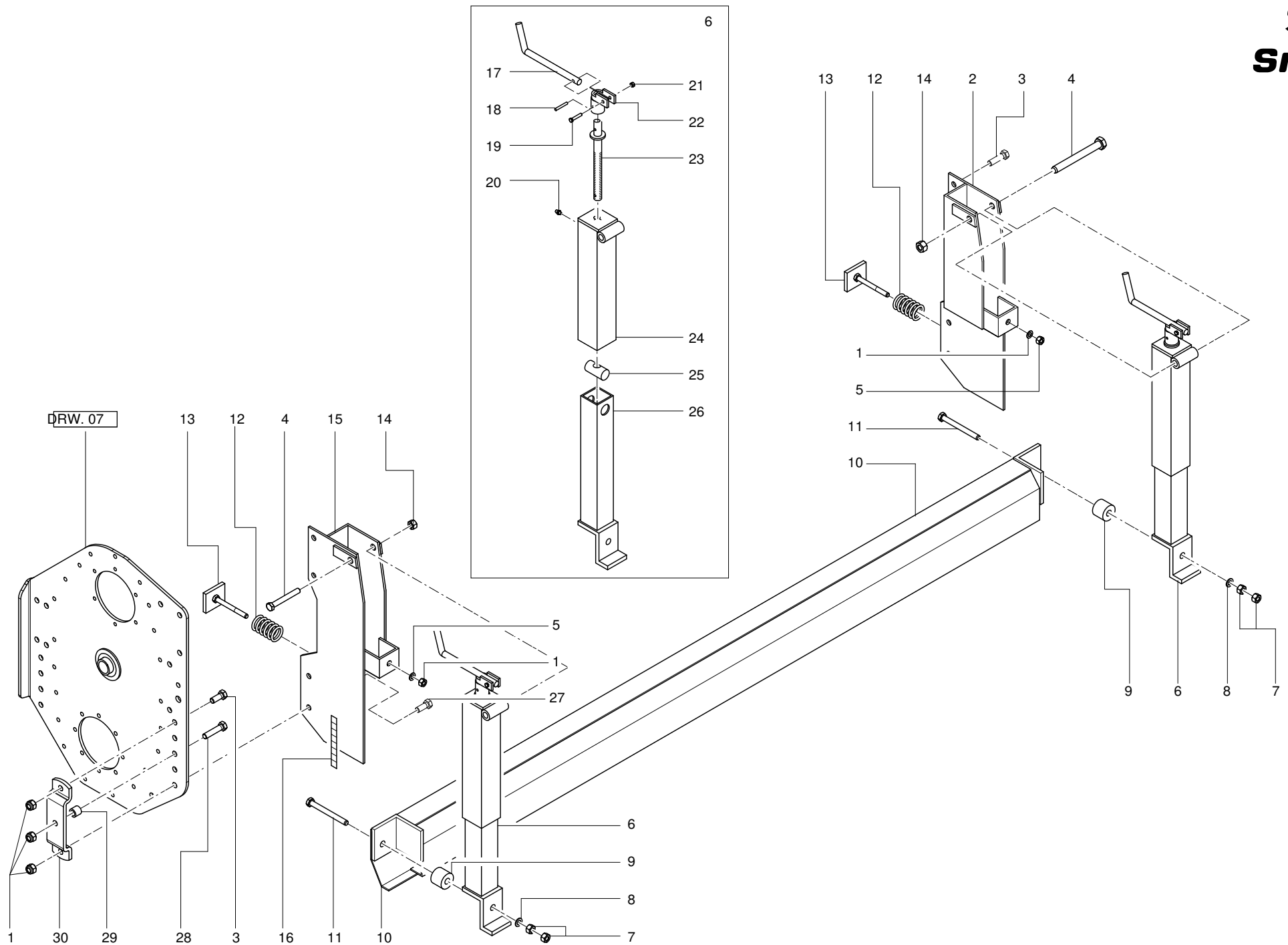
Group: HYDRAULIC SYSTEM

Document ID: 902401003

Revision: 09_27/04/2022 ->

Table: 14

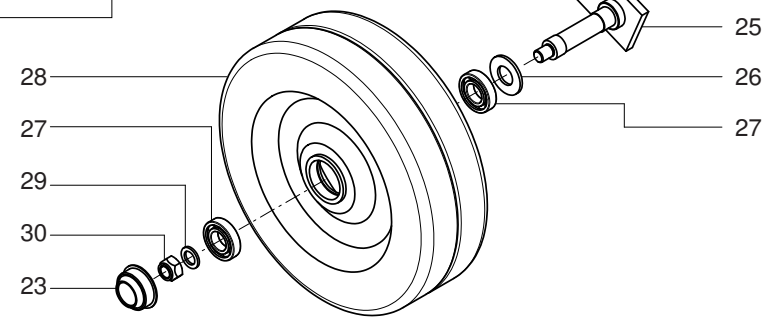
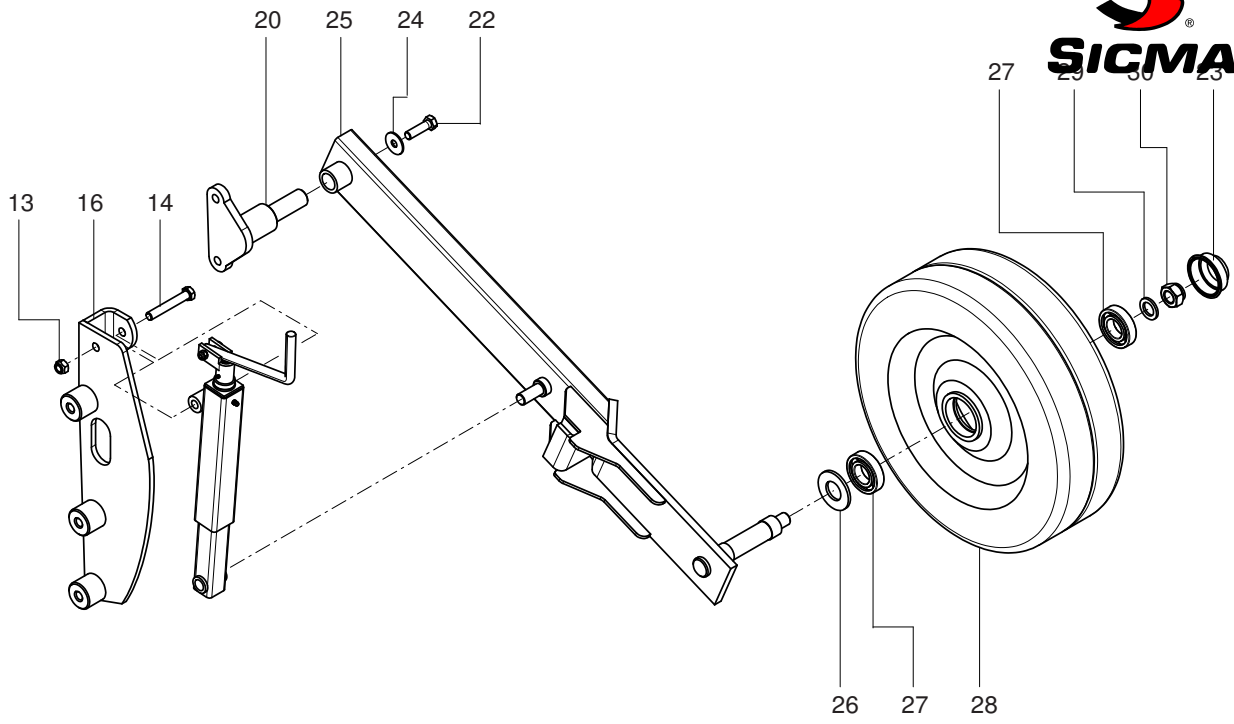
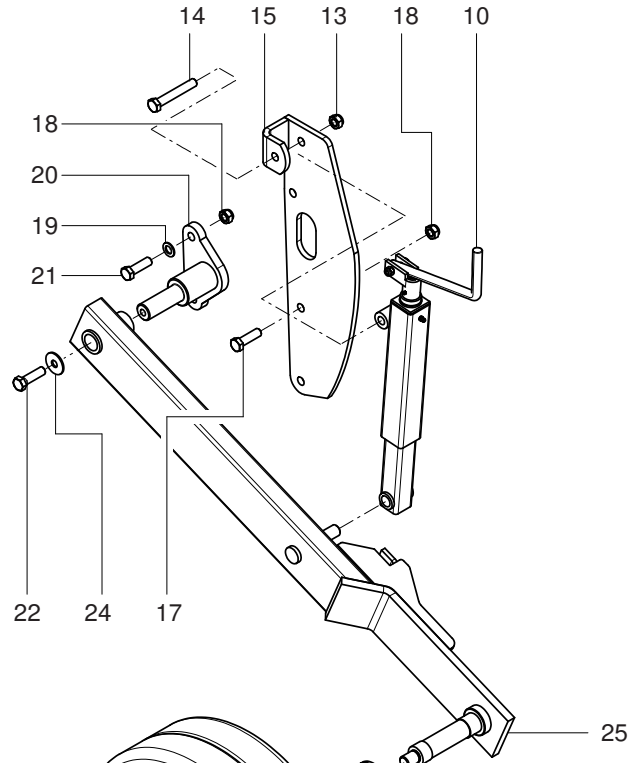
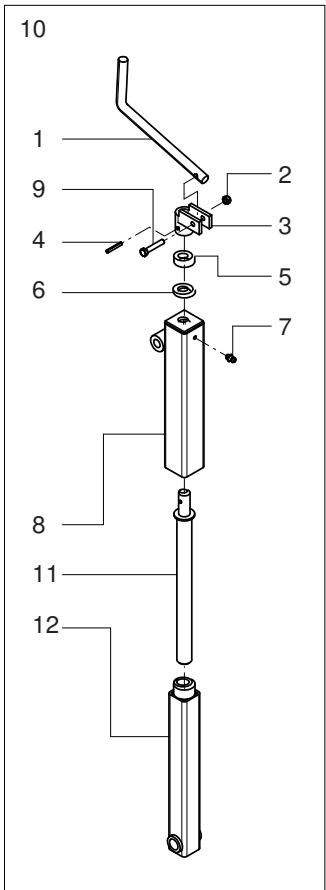
Reference	P/N	Description	Model #	Quantity
1	6237208	Perforated coupling BSPP 3/8"		4
2	6470038	Washer Cu 3/8		12
3	6420104	3/8" coupling nipple		4
4	6460038	Lock valve Øe3/8		2
5	6424038	3/8" straight threaded coupling		4
6	4004066	BSPP 3/8" weld-on eye		4
7	4004089	SP/RG roller lateral regulation piston		2
8	4004079	Central regulation jacket		2
9	3414101018	Nut M18 UNI5587		4
10	6838283	Gasket DBM196133		2
11	5202373	TR/FB/TSP/TRX piston		2
12	6836617	O-ring 617 2,62x17,86		2
13	6838029	Gasket B129098/1		2
14	6836120	O-ring 2,62x25x30		2
15	5242372	FL10E/15E/-ETS/SD/.../TRX bearing holder ring		2
16	4004039	Rod Ø25		2
17	6836827	O-ring 617 2,62x17,86		4
18	6038325	WRM scraper		2
19	6310053	Elastic ring Ø53 UNI7437 DIN472		4
20	4004087	Øe3/8" lock valve		2
21	4004069	RG roller central regulation piston		2
22	3414101010	UNI5587 M10 (coarse pitch) zinc plated nut		2
23	3625000010	Grower washer DIN1751 C70 Øi10		2
24	3021110030	Screw UNI5739 8.8 M10x30 galvanised (coarse pitch)		2
25	64122170	Rubber hose R1AT 3/8" FD+C90 L1700		2
26	64122150	Rubber hose R1At 3/8 Fd+C90° L1500	RG/230	4
26	64122170	Rubber hose R1AT 3/8" FD+C90 L1700	RG/255	4
26	64122180	Rubber hose R1At 3/8 Fd+C90° L1800	RG/280	4
26	64122200	Rubber hose R1AT 3/8" FD+C90 L2000	RG/305	4
27	6420411	3/8"-1/4" reduction nipple		6
28	6470014	Washer Cu 1/4		6
29	5003048	FL20E hydraulic distributor		1
30	4004038	Cylinder jacket		2
31	4004095	RG roller central regulation piston		2
32	6490038	Quick-Hitch 3/8"		2
33	4004037	Roller side regulation piston		2



Machine type: TILLER
 Model: RG
 Group: LEVELLING BAR

Document ID: 902401003
 Revision: 09_27/04/2022 ->
 Table: 15

Reference	P/N	Description	Model #	Quantity
1	3464101014	UNI7473 (coarse pitch) M14 zinc plated nut		16
2	4004160	RG right regulation support		1
3	3021114035	Screw UNI5739 8.8 M14x35 galvanised (coarse pitch)		10
4	3011116120	Screw TE M16x120 UNI5737		2
5	3604000014	Flat washer UNI6592 140Hv Øi14		2
6	4004164	RG register bar		2
7	3414101016	Nut M16 UNI5587		2
8	3625000016	Grower Washer Ø16 UNI1751		2
9	4784001	RG levelling bar rubber tampon		2
10	4004152	Levelling bar	RG/230	1
10	4004153	Levelling bar P/RG255	RG/255	1
10	4004154	Levelling bar	RG/280	1
10	4004155	Levelling bar RG305	RG/305	1
11	3011116130	Screw UNI5737 8.8 M16x130 galvanised (coarse pitch)		2
12	4214005	Bumper spring		2
13	4004169	RG bumper spring support		2
14	3464101016	UNI7473 (coarse pitch) M16 zinc plated nut		2
15	4004161	RG left regulation support		1
16	4784000	Depth reader		2
17	4334001	RG/SP adjustment crank		2
18	6330536	Elastic pin Ø5x36 UNI6873 galvanised		2
19	3011108040	Screw UNI5737 8.8 M08x040 galvanised (coarse pitch)		2
20	6561006	Greaser UNI7663 M6x1		2
21	3464101008	UNI7473 (coarse pitch) M8 zinc plated nut		2
22	4004163	RG crank coupling		2
23	4004162	RG register screw		2
24	4004158	RG external adjustment tube		2
25	4304010	M20 RG threaded pawl		2
26	4004159	RG internal adjustment tube		2
27	3011108045	Screw TE M8x45 UNI5737		2
28	3011108070	Screw TE M8x70 UNI5737		2
29	4534201	Boom fastening bush		2
30	4834003	Roller fastening clamp with levelling bar		2



Machine type: TILLER

Model: RG

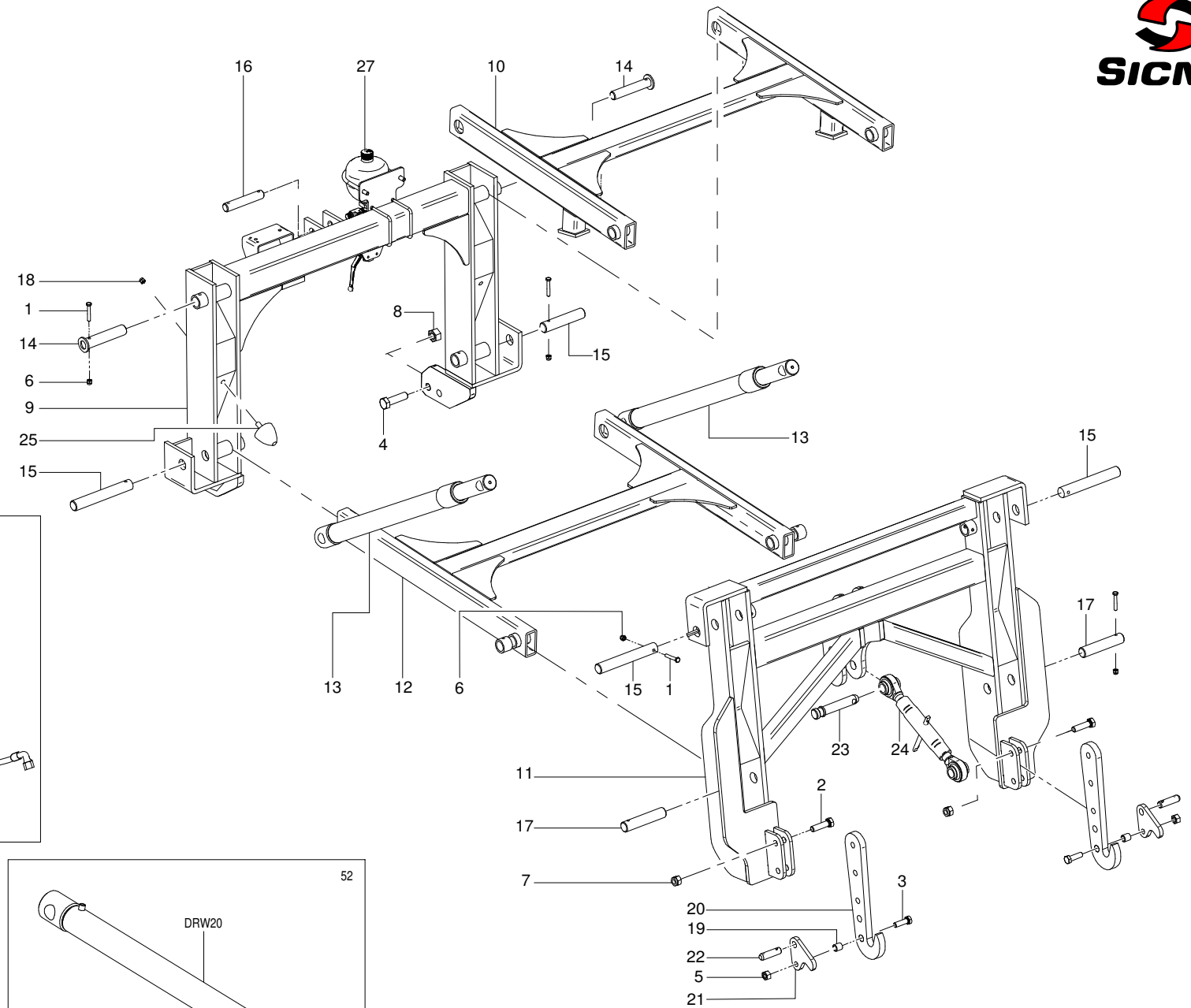
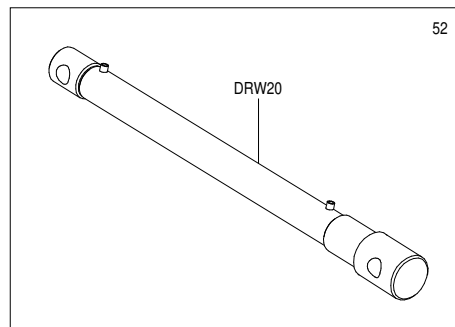
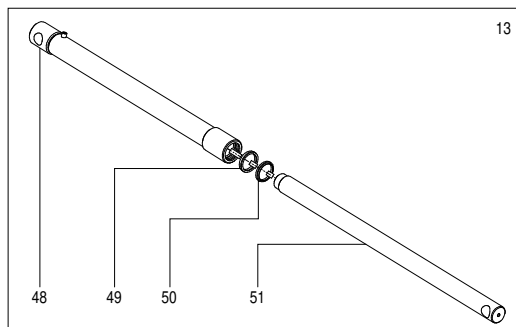
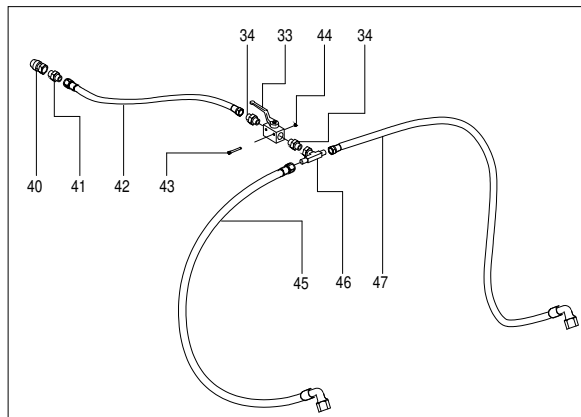
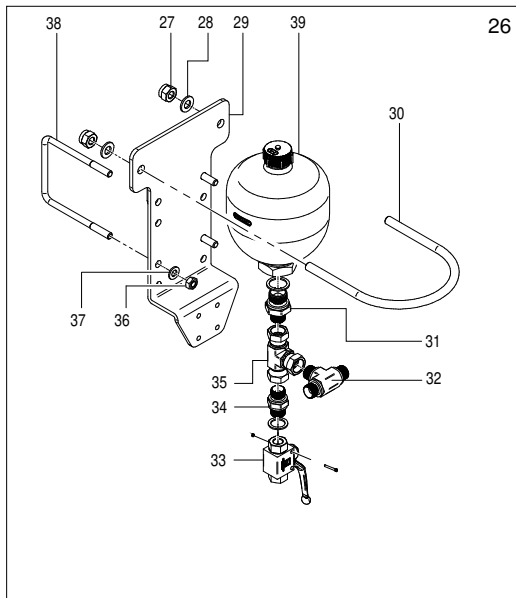
Group: SIDE WHEELS

Document ID: 902401003

Revision: 09_27/04/2022 ->

Table: 16

Reference	P/N	Description	Model #	Quantity
1	4334001	RG/SP adjustment crank		1
2	3464101008	UNI7473 (coarse pitch) M8 zinc plated nut		2
3	4005303	crank coupling		2
4	6335030	Elastic pin Ø5x30		2
5	4333039	VM/V1003/VSL little end oil seal bushing		2
6	3614000020	Wide washer Ø20 UNI6593		2
7	6561006	Greaser UNI7663 M6x1		2
8	4005353	External regulation pipe		2
9	3011108045	Screw TE M8x45 UNI5737		2
10	4005356	Wheel regulation manual jack		2
11	4005350	Roller adjustment screw		2
12	4005351	Inner regulation pipe		2
13	34106014	UNI7473 M14 high self-locking (coarse pitch) nut		2
14	3011114090	Screw TE M14x90 UNI5737		2
15	4005309	Guide plate and left regulation support		1
16	4005310	Guide plate and right regulation support		1
17	3021114040	Screw UNI5739 8.8 M14x40 galvanised (coarse pitch)		6
18	3414101014	Nut M14 UNI5587 coarse pitch		10
19	3625000014	Grower Washer Ø14 UNI1751		4
20	4005320	Wheel coupling plate		2
21	3011114055	Screw TE M14x55 UN I5737		4
22	3021112030			2
23	6600072	Galvanised cap Ø72		2
24	3625000012	Grower washer DIN1751 C70 Øi12		2
25	4005317	Right/Left wheel boom		2
26	4135301	Wheel spacer Ø30xØ71 shim 5		2
27	2226207	6207 2RS bearing		4
28	6600500	Wheel 500x150 Øi72		2
29	3604000024	Flat washer Ø24 UNI6592		2
30	3464102024	Nut ATB M24 UNI7473 fine pitch		2



Machine type: TILLER

Model: RG

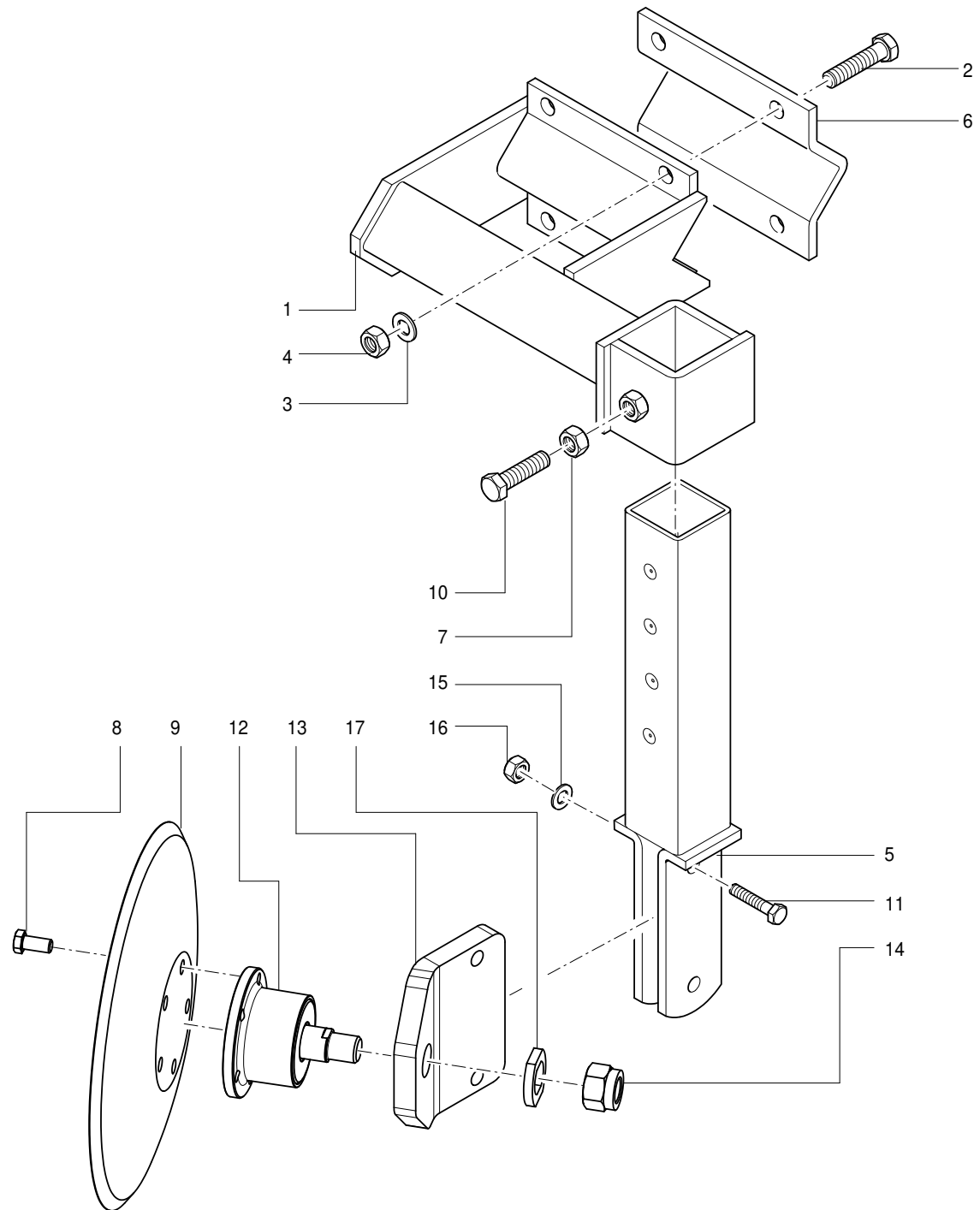
Group: SEEDER FRAME

Document ID: 902401003

Revision: 09_27/04/2022 ->

Table: 17

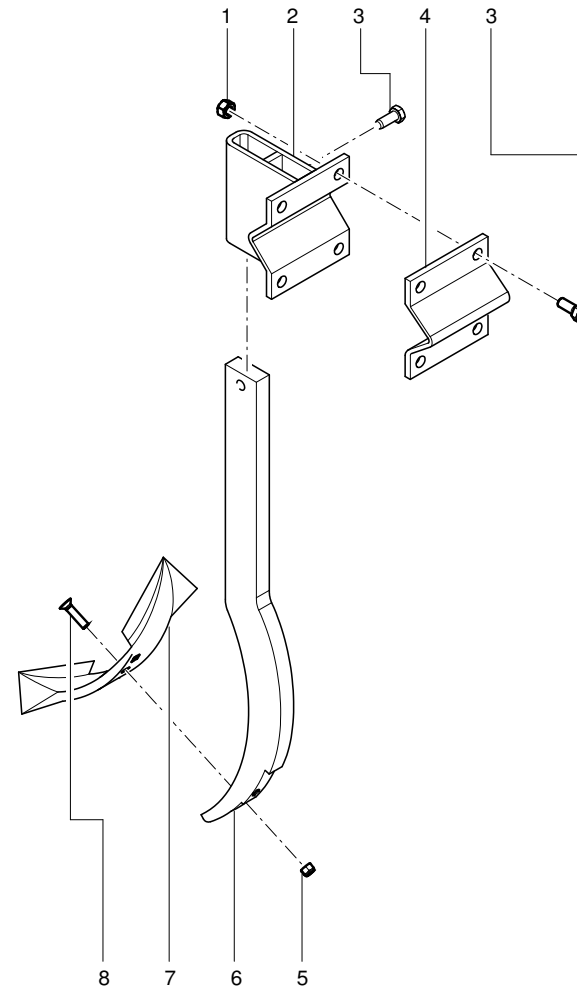
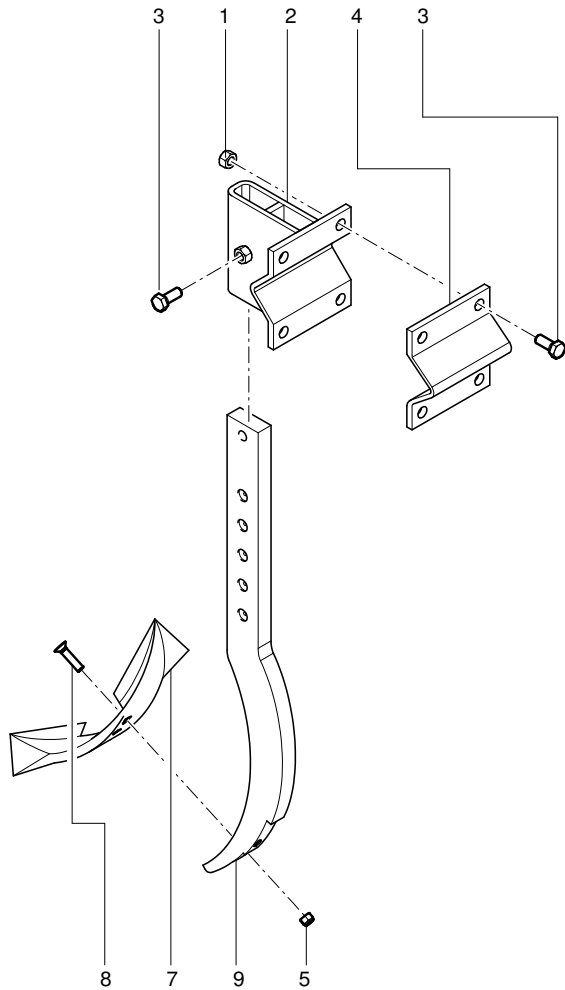
Reference	P/N	Description	Model #	Quantity
1	3011108050	Screw UNI5737 8.8 M08x050 galvanised (coarse pitch)		8
2	3474101016	UNI7474 (coarse pitch) M16 zinc plated nut		4
3	3021114045	Screw UNI5739 8.8 M14x45 galvanised (coarse pitch)		2
4	3031120080	Screw UNI5738 8.8 M20x80 galvanised (fine pitch)		2
5	3414101014	Nut M14 UNI5587 coarse pitch		2
6	3414101008	Nut M8 UNI5587		8
7	3011116055	Screw TE M16x55 UNI5737		4
8	3414102020	UNI5587 M20 coarse pitch zinc plated nut		2
9	4004301	Front fixed frame		1
10	4004304	RG seeder central frame		1
11	4004305	Seeder hitch frame		1
12	4004306	Lower connection pipe		2
13	4004307	RG seeder lifting cylinder		2
14	4004309	Pin L143 with washer		2
15	4304303	Pin Ø30 L205		4
16	4304304	Pin Ø25 L133		1
17	4304305	Pin Ø30 L143		2
18	3414101012	UNI5587 M12 (coarse pitch) zinc plated nut		2
19	4534304	RELEASE PIN BUSH		2
20	4934303	Seeder coupling plate		2
21	4934304	Pin locking plate		2
22	5302704	Pin for lawnmower lower coupling boom		2
23	5304435	SPR/TRG/TR 3rd point pin Ø25		1
24	6392340	Upper third point boom Ø25 L34		1
25	6786060	Bumper TFGP6060		2
26	8004169	SEED DRILL FRAME HYDRAULIC ACCUMULATOR KIT		1
27	3464101010	UNI7473 (coarse pitch) M10 zinc plated nut		2
28	3604100010	Flat washer UNI6592 140Hv Øi10 galvanised		2
29	4134312	MEMBRANE ACCUMULATOR SUPPORT		1
30	4334300	HYDRAULIC ACCUMULATOR COLLAR		1
31	6420424	1/2"-3/8" reduction nipple		1
32	6425805	3/8 "3-WAY ADAPTER M-M-M		1
33	6450038	Tap lock valve		1
34	6420104	3/8" coupling nipple		1
35	6425806	3/8 "3-WAY ADAPTER F-F-F		1
36	3464101008	UNI7473 (coarse pitch) M8 zinc plated nut		4
37	3604000008	Flat washer UNI6592 140Hv Øi08		4
38	4302005	Tie		2
39	6454075	PARKER MEMBRANE HYDRAULIC ACCUMULATOR		1
40	6037683	Male quick-hitch 1/2"		1
41	6037390	Nipple 1/2" 3/8"		1
42	64121200	Pipe R1AT 3/8" FD+FD L200		1
43	3011105050	Screw TE M5x50 UNI5737		1
44	3464101005	UNI7473 (coarse pitch) M5 zinc plated nut		1
45	64123120	Pipe R1AT 3/8" C+C90° L120		1
46	6425802	3-way adapter 3/8 M-M-F		1
47	64123150	Pipe R1AT 3/8" C+C90° L150		1
48	4004308	Sheath Ø60		2
49	6838045	Gasket B216177		2
50	6038342	WRM 177208 scraper		2
51	4424303	Rod Ø45		2
52	4004330	DOUBLE ACTING PISTON FOR SEEDER FRAME		2



Machine type: TILLER
Model: RG
Group: HARROW DISC

Document ID: 902401003
Revision: 09_27/04/2022 ->
Table: 18

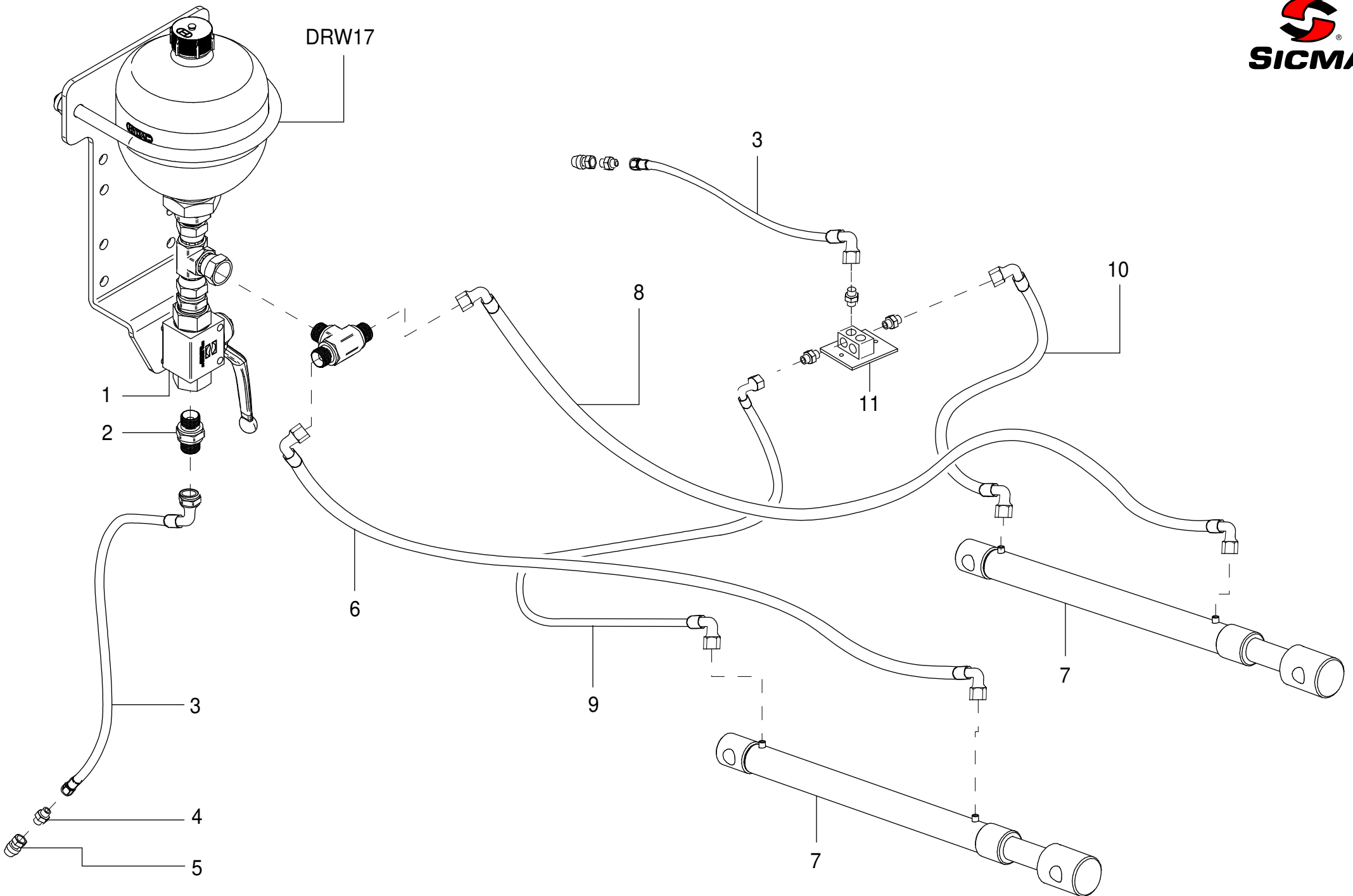
Reference	P/N	Description	Model #	Quantity
1	4004175	RG harrow disc support		2
2	3031014070	Screw TE M14x70 UNI5738 fine pitch		8
3	3625000016	Grower Washer Ø16 UNI1751		8
4	3414101016	Nut M16 UNI5587		8
5	4004178	RG harrow disc support		2
6	4834031	RG v plate for support		2
7	3414101014	Nut M14 UNI5587 coarse pitch		2
8	3021112020	Screw UNI5739 8.8 M12x20 galvanised (coarse pitch)		10
9	4112901	Smooth disc Ø350		2
10	3021114060	Screw UNI5739 8.8 M14x60 galvanised (coarse pitch)		2
11	3031014060	Screw TE M14x60 UNI5738 fine pitch		4
12	2043000	Support Agrihubs NSK AHU30117AS-04 NN EA5H5		2
13	4934046	Coupling plate		2
14	3474102024	UNI7474 Hmax 21mm fine pitch M24 zinc plated nut		2
15	3625000014	Grower Washer Ø14 UNI1751		4
16	3414101014	Nut M14 UNI5587 coarse pitch		4
17	4932950	Inter-row machine Agrihub Ø30 anti-loosening washer		2



Machine type: TILLER
Model: RG
Group: PLOWSHARE

Document ID: 902401003
Revision: 09_27/04/2022 ->
Table: 19

Reference	P/N	Description	Model #	Quantity
1	3414101014	Nut M14 UNI5587 coarse pitch		8
2	4004179	Track breaker support		2
3	3021116030	Screw TE M16x30 UNI5739		10
4	4834771	SP/H/RG fastening clamp		2
5	3464101012	UNI7473 (coarse pitch) M12 zinc plated nut		4
6	4704027	RG right lance		1
7	4704005	RG track breaker plowshare		2
8	3062212050	Screw TSEI M12x50 UNI5933		4
9	4704028	RG left lance		1



Machine type: TILLER

Model: RG

Group: DOUBLE ACTING PISTON HYDRAULIC SYSTEM

Document ID: 902401003

Revision: 09_27/04/2022 ->

Table: 20

Reference	P/N	Description	Model #	Quantity
1	8004169	SEED DRILL FRAME HYDRAULIC ACCUMULATOR KIT		1
2	6420104	3/8" coupling nipple		1
3	64122200	Rubber hose R1AT 3/8" FD+C90 L2000		2
4	6037390	Nipple 1/2" 3/8"		5
5	6037683	Male quick-hitch 1/2"		2
6	64123120	Pipe R1AT 3/8" C+C90° L120		1
7	4004330	DOUBLE ACTING PISTON FOR SEEDER FRAME		2
8	64123150	Pipe R1AT 3/8" C+C90° L150		1
9	64121200	Pipe R1AT 3/8" FD+FD L200		1
10	64123190	HYDRAULIC HOSE EN 853-1SN 3/8 "C90 + C90 L = 1900		1
11	5003048	FL20E hydraulic distributor		1