

Machine type: TILLER

Document ID: 902844001

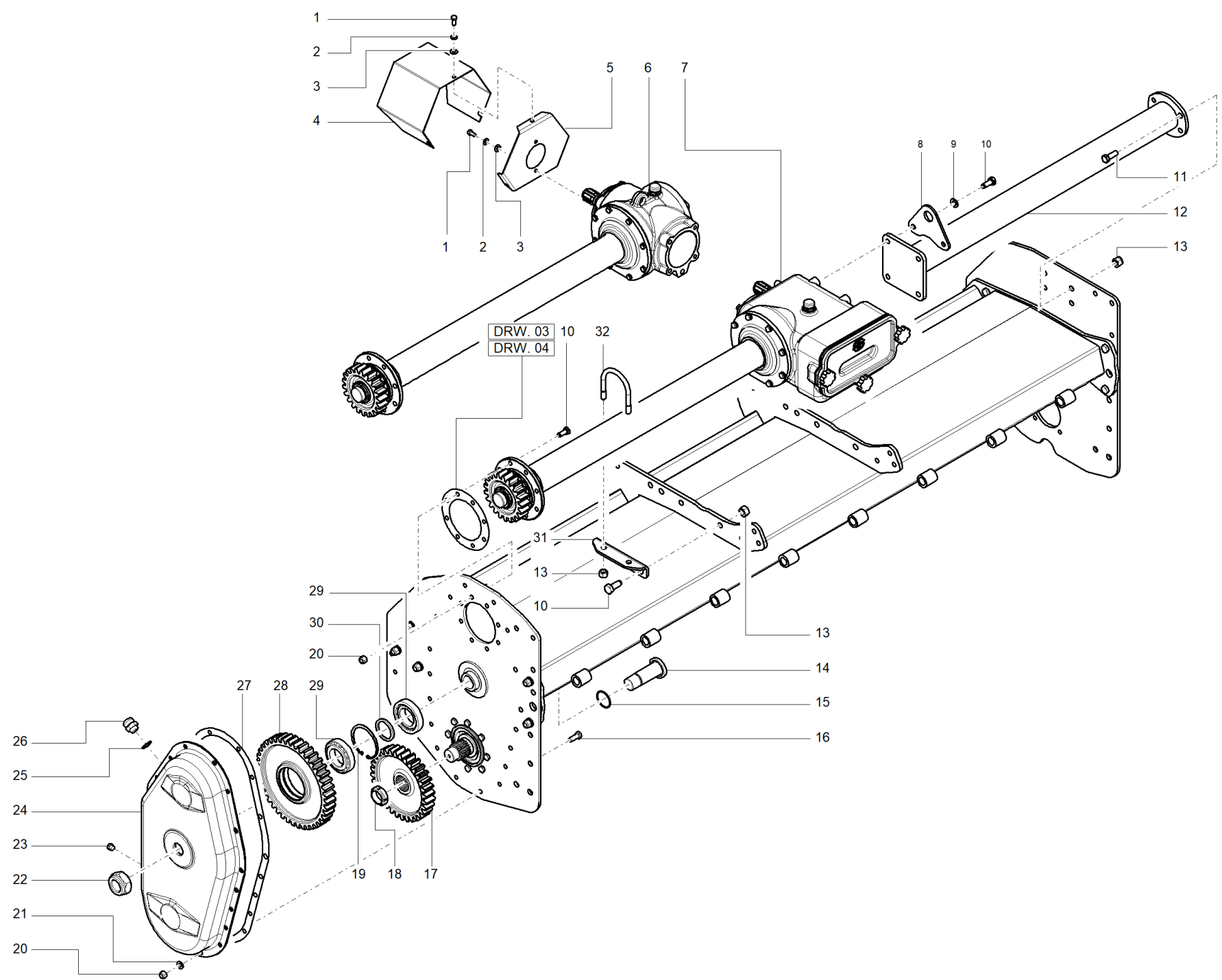
Model: RM

Revision: 09_24/03/2021 ->

Group: Frame and tractor hitches

Table: 01

Reference	P/N	Description	Model #	Quantity
1	3444101016	DIN980 self-locking 8 (coarse pitch) M16 zinc plated nut		2
2	3625100016	Grower washer DIN1751 C70 Øi16 zinc plated		2
3	4007937	SM/RM upper 3rd point coupling		1
4	6351004	Split pin Ad R Ø4 galvanised		3
5	5304001	TR/SD/RM upper 3rd point pin		1
6	3464101014	UNI7473 (coarse pitch) M14 zinc plated nut		8
7	3625100014	Grower washer DIN1751 C70 Øi14 zinc plated		8
8	4309179	VP/SH/RM white zinc plated lower 3rd point pin		2
9	4307802	60 SCT/RM/ST panel tie		4
10	4007935	SM/RM right lower 3rd point coupling		1
11	4302257	SM/RM/RD 3rd point tie		1
12	4008697	SM-ST-RM-RD upper 3rd point		1
13	3464101008	UNI7473 (coarse pitch) M8 zinc plated nut		1
14	3444101014	DIN980 self-locking 8 (coarse pitch) M14 zinc plated nut		8
15	3625100012	Grower washer DIN1751 C70 Øi12 zinc plated		11
16	3444101012	DIN980 self-locking 8 (coarse pitch) M12 zinc plated nut		11
17	4937929	External side plate		1
18	3021112035	Screw UNI5739 8.8 M12x35 galvanised (coarse pitch)		11
19	3021114035	Screw UNI5739 8.8 M14x35 galvanised (coarse pitch)		8
20	4107901	Frame R	RM/110	1
20	4107902	Frame	RM/120	1
20	4107903	Frame	RM/135	1
20	4107904	Frame	RM/150	1
20	4107905	Frame	RM/160	1
20	4107906	Frame	RM/185	1
20	4107907	Frame	RM/210	1
20	4107908	Frame	RM/235	1
20	4107911	Frame	RM/170	1
21	4008305	Transmission side plate		1
22	4007936	SM/RM left lower 3rd point coupling		1
23	4337002	200 hook for shaft drive		1
24	5137068	RC/SA coupling support hook clip		1
25	3021108016	Screw UNI5739 8.8 M8x16 galvanised (coarse pitch)		1
26	3424101010	UNI5588 M10 (coarse pitch) zinc plated nut		4
27	4202201	SM/ST 2 point coupling half-coupling spacer		1
28	3625100010	Grower washer DIN1751 C70 Øi10 zinc plated		4
29	3011110070	Screw TE M10X70 UNI5737		4
30	4705271	Ø14 mm shackle		4
31	4502001	2nd point coupling lifting chain		2
32	4705061	Roller pin Ø18		2
33	4008350	SM 2nd point coupling		1
34	8840018	2-point coupling kit		1
35	3604100008	Flat washer UNI6592 140Hv Øi08 galvanised		2
36	3021108020	Screw UNI5739 8.8 M8x20 galvanised (coarse pitch)		2
37	6601601	Document holder container - large		1



Machine type: TILLER

Model: RM

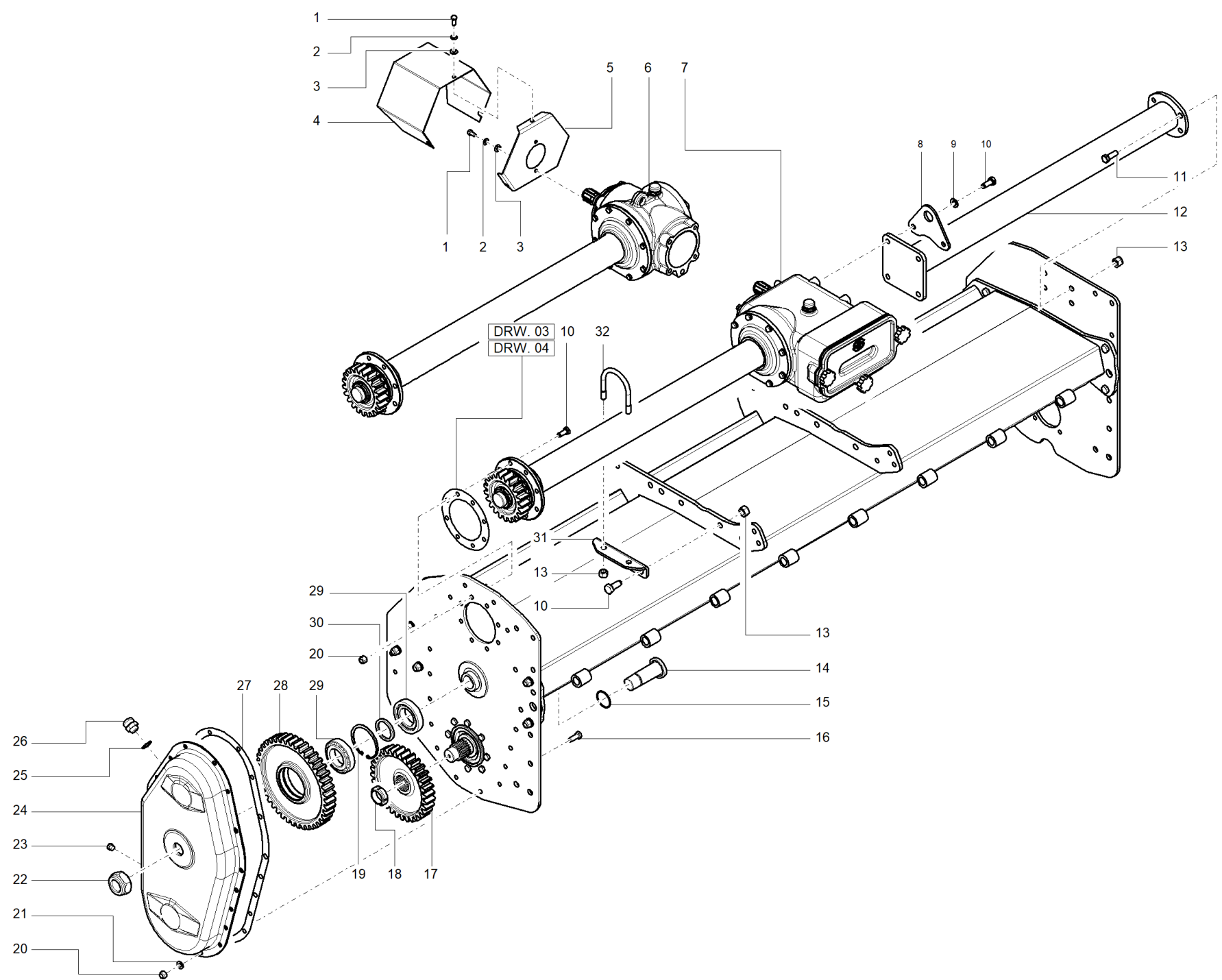
Group: DRIVE

Document ID: 902844001

Revision: 09_24/03/2021 ->

Table: 02

Reference	P/N	Description	Model #	Quantity
1	3021108016	Screw UNI5739 8.8 M8x16 galvanised (coarse pitch)		5
2	3635100008	Grower Washer Ø8 FIAT 10188		5
3	3604100008	Flat washer UNI6592 140Hv Øi08 galvanised		5
4	4138034	RM/RD/CST/RC coupling protection		1
5	4138036	EZ70 RM/RD/CST/RC coupling protection		1
6	8844015	Gearbox EZ70 complete RM110 (1 speed, clockwise)	RM/110	1
6	8844016	Gearbox EZ70 complete RM120 (1 speed, clockwise)	RM/120	1
6	8844017	Gearbox EZ70 complete RM135 (1 speed, clockwise)	RM/135	1
6	8844018	Gearbox EZ70 complete RM150 (1 speed, clockwise)	RM/150	1
6	8844019	Gearbox EZ70 complete RM160 (1 speed, clockwise)	RM/160	1
6	8844020	Gearbox EZ70 complete RM170 (1 speed, clockwise)	RM/170	1
6	8844021	Gearbox EZ70 complete RM185 (1 speed, clockwise)	RM/185	1
6	8844022	Gearbox EZ70 complete RM210 (1 speed, clockwise)	RM/210	1
6	8844023	Gearbox EZ70 complete RM235 (1 speed, clockwise)	RM/235	1
6	8844030	Gearbox EZ70 complete RM110 (1 speed, anti-clockwise)	RM/110	1
6	8844031	Gearbox EZ70 complete RM120 (1 speed, anti-clockwise)	RM/120	1
6	8844032	Gearbox EZ70 complete RM135 (1 speed, anti-clockwise)	RM/135	1
6	8844033	Gearbox EZ70 complete RM150 (1 speed, anti-clockwise)	RM/150	1
6	8844034	Gearbox + extension EZ70-sc anti-clockwise RM160	RM/160	1
6	8844035	Gearbox EZ70 complete RM170 (1 speed, anti-clockwise)	RM/170	1
6	8844036	Gearbox + extension EZ70-sc anti-clockwise RM185	RM/185	1
6	8844037	Gearbox EZ70 complete RM210 (1 speed, anti-clockwise)	RM/210	1
6	8844038	Gearbox EZ70 complete RM235 (1 speed, anti-clockwise)	RM/235	1
7	8847350	Kit gearbox with speed change + extension RM110 EZ70	RM/110	1
7	8847351	Kit gearbox with speed change + extension RM120 EZ70	RM/120	1
7	8847352	Kit gearbox with speed change + extension RM135 EZ70	RM/135	1
7	8847353	Kit gearbox with speed change + extension RM150 EZ70	RM/150	1
7	8847354	Kit gearbox with speed change + extension RM160 EZ70	RM/160	1
7	8847355	Kit gearbox with speed change + extension RM170 EZ70	RM/170	1
7	8847356	Kit gearbox with speed change + extension RM185 EZ70	RM/185	1
7	8847357	Kit gearbox with speed change + extension RM210 EZ70	RM/210	1
7	8847358	Kit gearbox with speed change + extension RM235 EZ70	RM/235	1
8	4937921	RM EZ70 lifting hook coupling		1
9	3625100012	Grower washer DIN1751 C70 Øi12 zinc plated		2
10	3021112030	Screw UNI5739 8.8 M12x30 galvanised (coarse pitch)		4
11	3021112035	Screw UNI5739 8.8 M12x35 galvanised (coarse pitch)		4
12	4007821	SM/RM110 external support	RM/110	1
12	4007822	SM/RM120 external support	RM/120	1
12	4007956	SM/RM135 external support	RM/135	1
12	4007957	SM/RM150 external support	RM/150	1
12	4007958	SM/RM160 external support	RM/160	1
12	4007959	SM/RM185 external support	RM/185	1
12	4007960	SM/RM210 external support	RM/210	1
12	4007961	SM/RM235 external support	RM/235	1
12	4007962	SM/RM170 external support	RM/170	1
13	3464101012	UNI7473 (coarse pitch) M12 zinc plated nut		10
14	4208110	SMR-RM transmission gear pivot		1
15	6836220	O-ring 136 2.62x50.47		1
16	3021110020	Screw UNI5739 8.8 M10x20 galvanised (coarse pitch)		18
17	4728335	SM/RM driven gear		1
18	3514201035	M35x1.5 heavy self-locking ring galvanised		1
19	6310090	Elastic ring Ø90 UNI7437 DIN472		1
20	3464101010	UNI7473 (coarse pitch) M10 zinc plated nut		18
21	3625100010	Grower washer DIN1751 C70 Øi10 zinc plated		18
22	3474102033	UNI7474 Hmax 26mm fine pitch M33 zinc plated nut		1
23	3444114	M14x1.5 conical porthole cap without washer		1
24	4008302	SM/RM transmission crankcase, anonymous		1
25	6800018	O-ring 116 18.72x2.62		1
26	3442022	M22x1.5 valve cap		1
27	4788398	SH/RM transmission lid seal		1



Machine type: TILLER

Model: RM

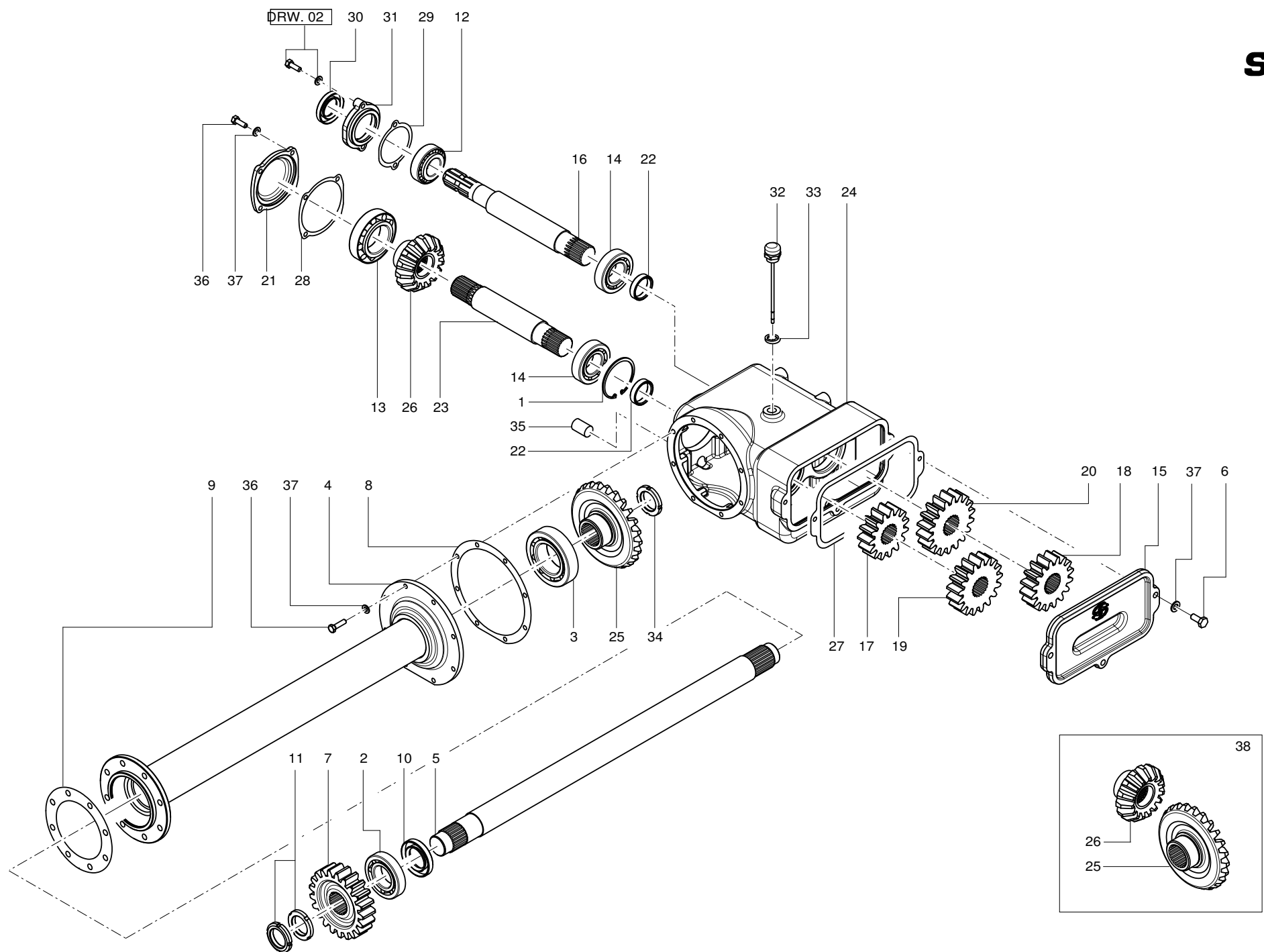
Group: DRIVE

Document ID: 902844001

Revision: 09_24/03/2021 ->

Table: 02

Reference	P/N	Description	Model #	Quantity
28	4728017	Idler gear		1
29	2030210	30210 bearing		2
30	4598239	SM/RM transmission gear spacer		2
31	4137741	SM/RM fastening tie angle		2
32	4332278	CSM/RM fastening tie		1



Machine type: TILLER

Document ID: 902844001

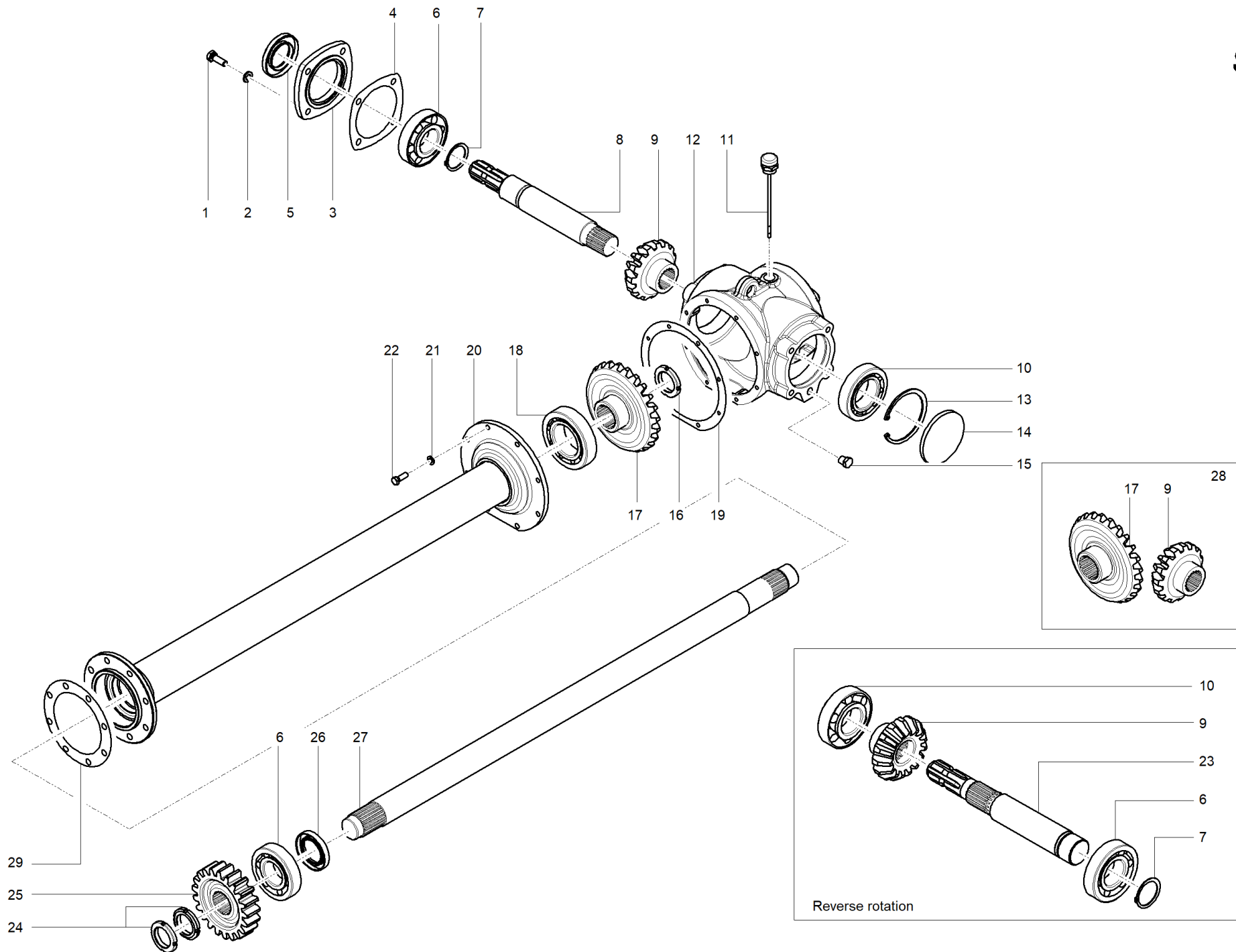
Model: RM

Revision: 09_24/03/2021 ->

Group: GEARBOX WITH SPEED CHANGE

Table: 03

Reference	P/N	Description	Model #	Quantity
1	6310080	Elastic ring Ø80 UNI7437 DIN472		1
2	2030309	30309 bearing		1
3	2732212	32212 bearing with conical rollers		1
4	4008020	Transmission extension SM/RM110 EZ70	RM/110	1
4	4008021	Transmission extension SM/RM120 EZ70	RM/120	1
4	4008022	Transmission extension SM/RM135 EZ70	RM/135	1
4	4008023	Transmission extension SM/RM150 EZ70	RM/150	1
4	4008024	Transmission extension SM/RM160 EZ70	RM/160	1
4	4008025	Transmission extension SM/RM170 EZ70	RM/170	1
4	4008026	Transmission extension SM/RM185 EZ70	RM/185	1
4	4008027	Transmission extension SM/RM210 EZ70	RM/210	1
4	4008028	Transmission extension SM/RM235 EZ70	RM/235	1
5	4217770	RM110 crown shaft	RM/110	1
5	4217771	RM120 crown shaft	RM/120	1
5	4217772	RM135 crown shaft for EZ70	RM/135	1
5	4217773	RM150 crown shaft for EZ70	RM/150	1
5	4217774	RM160 crown shaft for EZ70	RM/160	1
5	4217775	RM170 crown shaft for EZ70	RM/170	1
5	4217776	RM185 and RM170 EZ70 crown shaft	RM/185	1
5	4217777	RM210 crown shaft for EZ70	RM/210	1
5	4217778	RM230 crown shaft for EZ70	RM/235	1
6	3011110045	Screw UNI5737 8.8 M10x045 galvanised (coarse pitch)		3
7	4728338	Z21 driving gear		1
8	20850-05	EZ70 extension flange seal		1
9	4788693	External support seal		1
10	6204572	Oil seal 45x72x10 PP DIN3760, AS type		1
11	34008040	M40x1.5 DIN981 locking ring		2
12	2732207	32207 bearing with conical rollers		1
13	2732211	32211 bearing with conical rollers		1
14	2732208	32208 bearing with conical rollers		2
15	16750-01	EZ70 RM/RD/CST aluminium lid		1
16	12250-05	PTO EZ70 RM/RD/CST shaft		1
17	12250-02	Z16 EZ70 RM/RD/CST gear		1
18	12250-04	Z18 EZ70 RM/RD/CST gear		1
19	12250-01	Z15 EZ70 RM/RD/CST gear		1
20	12250-03	Z17 EZ70 RM/RD/CST gear		1
21	17050-01	EZ70 RM/RD/CST conical sprocket support		1
22	25450-02	Gear spacer		2
23	12150-01	EZ70 RM/RD/CST sprocket shaft		1
24	16550-01	EZ70 RM/RD/CST bevel gear crankcase		1
25	17250-02	Z24 M=7.1 EZ70 RM/RD/CST conical crown		1
26	17250-01	Z15 EZ70 RM/RD/CST conical sprocket		1
27	17850-01	EZ70 Flat rubber seal thickness3		1
28	20850-01	EZ70 sprocket lid seal, thickness 0.2		1
28	20850-02	EZ70 sprocket lid seal, thickness 0.3		1
28	20850-03	EZ70 sprocket lid seal, thickness 0.5		1
29	20850-04	PTO EZ70 lid seal thickness 0.5		1
30	6203562	Oil seal 35x62x10 PP DIN3760, AS type		1
31	17050-02	PTO EZ70 RM/RD/CST shaft support		1
32	25250-01	M22x1.5 L=150 vent cap with level rod		1
33	6470122	Washer M22 (Al/Cu)		1
34	3514201040	M40x1.5 heavy self-locking ring galvanised		1
35	3441022	22x1.5 conical cap hexagon 17		1
36	3022110025	Screw TE M10x25 UNI5739		12
37	3625100010	Grower washer DIN1751 C70 Øi10 zinc plated		16
38	80050-15	EZ70 bevel gear kit R.1.6:1		1



Machine type: TILLER

Document ID: 902844001

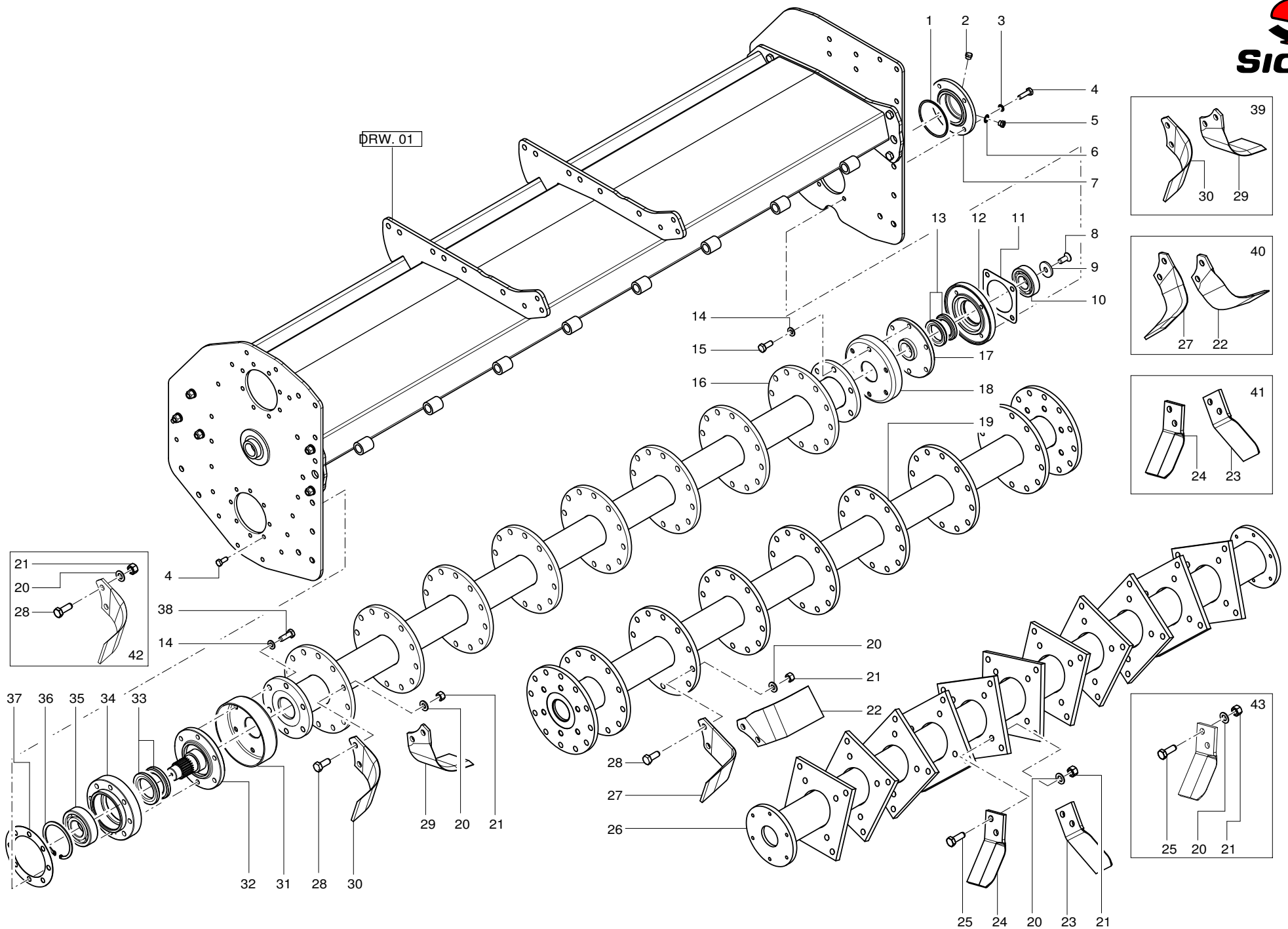
Model: RM

Revision: 09_24/03/2021 ->

Group: GEARBOX WITHOUT SPEED CHANGE

Table: 04

Reference	P/N	Description	Model #	Quantity
1	3021110030	Screw UNI5739 8.8 M10x30 galvanised (coarse pitch)		4
2	3625000010	Grower washer DIN1751 C70 Øi10		4
3	19350-01	EZ70 RM/RD gearbox lid		1
4	20850-10	PTO EZ70 lid seal without gearbox		1
5	6204580	45x80x10 PP DIN3760 AS-type oil seal		1
6	2030309	30309 bearing		2
7	6320045	Elastic ring Ø45 UNI7435 DIN471		1
8	12150-10	PTO EZ70 RM/RD shaft		1
9	17250-01	Z15 EZ70 RM/RD/CST conical sprocket		1
10	2732211	32211 bearing with conical rollers		1
11	25250-01	M22x1.5 L=150 vent cap with level rod		1
12	16550-03	1-speed RM/RD bevel gear crankcase		1
13	6310100	Elastic ring Ø100 UNI7437 DIN472		1
14	6100100	Locking screw cap, Ø100 H=10		1
15	3441014	14X1.5 conical cap (hexagon head)		1
16	34126040	40x1.5 low self-locking ring		1
17	17250-02	Z24 M=7.1 EZ70 RM/RD/CST conical crown		1
18	2732212	32212 bearing with conical rollers		1
19	20850-05	EZ70 extension flange seal		1
20	4007700	Transmission extension RM110 1 speed	RM/110	1
20	4007701	Transmission extension RM120 1 speed	RM/120	1
20	4007702	Transmission extension RM135 1 speed	RM/135	1
20	4007703	Transmission extension RM150 1 speed	RM/150	1
20	4007704	Transmission extension RM160 1 speed	RM/160	1
20	4007705	Transmission extension RM170 1 speed	RM/170	1
20	4007706	Transmission extension RM185 1 speed	RM/185	1
20	4007707	Transmission extension RM210 1 speed	RM/210	1
20	4007708	Transmission extension RM235 1 speed	RM/235	1
21	3645200008	Schnorr washer Cl.10 Ø08 galvanized		8
22	3022108025	Screw UNI5739 10.9 M8x25 galvanised (coarse pitch)		8
23	12150-11	Shaft PTO EZ70 RM/RD 1 speed anti-clockwise		1
24	3514201040	M40x1.5 heavy self-locking ring galvanised		2
25	4728338	Z21 driving gear		1
26	6204572	Oil seal 45x72x10 PP DIN3760, AS type		1
27	4217710	1-speed RM110 crown shaft	RM/110	1
27	4217711	1-speed RM120 crown shaft	RM/120	1
27	4217712	RM135 crown shaft without gearbox	RM/135	1
27	4217713	RM crown shaft without gearbox	RM/150	1
27	4217714	RM crown shaft without gearbox	RM/160	1
27	4217715	Crown shaft	RM/170	1
27	4217716	RM185 crown shaft without gearbox	RM/185	1
27	4217717	RM210 crown shaft without gearbox	RM/210	1
27	4217718	RM235 crown shaft without gearbox	RM/235	1
28	80050-15	EZ70 bevel gear kit R.1.6:1		1
29	4788693	External support seal		1



Machine type: TILLER

Document ID: 902844001

Model: RM

Revision: 09_24/03/2021 ->

Group: ROTOR AND TOOLS

Table: 05

Reference	P/N	Description	Model #	Quantity
1	6800094	O-ring 240 94,84x3,53		1
2	3441014	14X1.5 conical cap (hexagon head)		1
3	3625000010	Grower washer DIN1751 C70 Øi10		4
4	3021110030	Screw UNI5739 8.8 M10x30 galvanised (coarse pitch)		4
5	3444014	M14x1.5 porthole cap with washer 6470114		1
6	6470114	Washer M14 (Al/Cu)		1
7	4708248	SH/CST/RM/RD rotor bearing support		1
8	3062212030	Screw UNI5933 10.9 M12x30 galvanised+D (coarse pit		1
9	4208021	Bearing securing washer		1
10	2106307	6307 bearing		1
11	4788219	External support seal		1
12	4708239	GNL SH/CST/RM/RD external support		1
13	6205300	GNL JD5300 oil seal		1
14	3645200012	Schnorr washer Cl.10 Ø12 galvanized		12
15	3022112030	Screw UNI5739 10.9 M12x30 galvanised (coarse pitch		6
16	4007946	SM/RM170 rotor	RM/170	1
16	4007944	SM/RM210 rotor	RM/210	1
16	4007945	SM/RM235 rotor	RM/235	1
16	4007943	SM/RM185 rotor	RM/185	1
16	4007941	SM/RM150 rotor	RM/150	1
16	4007940	SM/RM135 rotor	RM/135	1
16	4007815	SM/RM110 rotor	RM/110	1
16	4007816	SM/RM120 rotor	RM/120	1
16	4007942	SM/RM160 rotor	RM/160	1
17	4708249	Rotor support hub		1
18	4148030	RM/RD/CST ext. dust cover lid		1
19	4007993	SM235 closed rotor	RM/235	1
19	4007988	SM135 closed rotor	RM/135	1
19	4007989	SM150 closed rotor	RM/150	1
19	4007990	SM160 closed rotor	RM/160	1
19	4007991	SM185 closed rotor	RM/185	1
19	4007992	SM210 closed rotor	RM/210	1
20	3635100014	Grower washer Fiat 10188 C70 Øi14 zinc plated	RM/110 (4z)	32
20	3635100014	Grower washer Fiat 10188 C70 Øi14 zinc plated	RM/120?135 (4z)	40
20	3635100014	Grower washer Fiat 10188 C70 Øi14 zinc plated	RM/150?160 (4z) - RM/110 (6z)	48
20	3635100014	Grower washer Fiat 10188 C70 Øi14 zinc plated	RM/170?185 (4z)	56
20	3635100014	Grower washer Fiat 10188 C70 Øi14 zinc plated	RM/210 (4z)	65
20	3635100014	Grower washer Fiat 10188 C70 Øi14 zinc plated	RM/235 (4z) - RM/150?160 (6z)	72
20	3635100014	Grower washer Fiat 10188 C70 Øi14 zinc plated	RM/120?135 (6z)	60
20	3635100014	Grower washer Fiat 10188 C70 Øi14 zinc plated	RM/170?185 (6z)	84
20	3635100014	Grower washer Fiat 10188 C70 Øi14 zinc plated	RM/210 (6z)	96
20	3635100014	Grower washer Fiat 10188 C70 Øi14 zinc plated	RM/235 (6z)	108
21	3414102014	UNI5587 M14 coarse pitch zinc plated nut	RM/110 (4z)	32
21	3414102014	UNI5587 M14 coarse pitch zinc plated nut	RM/120?135 (4z)	40
21	3414102014	UNI5587 M14 coarse pitch zinc plated nut	RM/150?160 (4z) - RM/110 (6z)	48
21	3414102014	UNI5587 M14 coarse pitch zinc plated nut	RM/170?185 (4z)	56
21	3414102014	UNI5587 M14 coarse pitch zinc plated nut	RM/210 (4z)	65
21	3414102014	UNI5587 M14 coarse pitch zinc plated nut	RM/235 (4z) - RM/150?160 (6z)	72
21	3414102014	UNI5587 M14 coarse pitch zinc plated nut	RM/120?135 (6z)	60
21	3414102014	UNI5587 M14 coarse pitch zinc plated nut	RM/170?185 (6z)	84
21	3414102014	UNI5587 M14 coarse pitch zinc plated nut	RM/210 (6z)	96
21	3414102014	UNI5587 M14 coarse pitch zinc plated nut	RM/235 (6z)	108
22	4818225	RM squared hoe		0
23	4818194	RSM (2 holes) knives		0
24	4818195	RSM (2 holes) knives		0
25	3131114045	Tines screw M14x45 8.8 fil.20 galvanised (fine pit		0
26	4002167	ST160/SM160 rotor for blades	RM/160	1
26	4002168	ST185/SM185 rotor for blades	RM/185	1
26	4002169	ST210/SM210 rotor for blades	RM/210	1
26	4007947	Blade rotor	RM/235	1

Machine type: TILLER

Document ID: 902844001

Model: RM

Revision: 09_24/03/2021 ->

Group: ROTOR AND TOOLS

Table: 05

Reference	P/N	Description	Model #	Quantity
27	4818224	RM squared hoe		0
28	3131114040	Tines screw M14x40 8.8 fil.20 galvanised (fine pit	RM/110 (4z)	32
28	3131114040	Tines screw M14x40 8.8 fil.20 galvanised (fine pit	RM/120?135 (4z)	40
28	3131114040	Tines screw M14x40 8.8 fil.20 galvanised (fine pit	RM/150?160 (4z) - RM/110 (6z)	48
28	3131114040	Tines screw M14x40 8.8 fil.20 galvanised (fine pit	RM/170?185 (4z)	56
28	3131114040	Tines screw M14x40 8.8 fil.20 galvanised (fine pit	RM/210 (4z)	65
28	3131114040	Tines screw M14x40 8.8 fil.20 galvanised (fine pit	RM/235 (4z) - RM/150?160 (6z)	72
28	3131114040	Tines screw M14x40 8.8 fil.20 galvanised (fine pit	RM/120?135 (6z)	60
28	3131114040	Tines screw M14x40 8.8 fil.20 galvanised (fine pit	RM/170?185 (6z)	84
28	3131114040	Tines screw M14x40 8.8 fil.20 galvanised (fine pit	RM/210 (6z)	96
28	3131114040	Tines screw M14x40 8.8 fil.20 galvanised (fine pit	RM/235 (6z)	108
29	4818223S	RM curved hoe (in 10x box)	RM/110 (4z)	8
29	4818223S	RM curved hoe (in 10x box)	RM/120?135 (4z)	10
29	4818223S	RM curved hoe (in 10x box)	RM/150?160 (4z) - RM/110 (6z)	12
29	4818223S	RM curved hoe (in 10x box)	RM/170?185 (4z)	14
29	4818223S	RM curved hoe (in 10x box)	RM/210 (4z)	16
29	4818223S	RM curved hoe (in 10x box)	RM/235 (4z) - RM/150?160 (6z)	18
29	4818223S	RM curved hoe (in 10x box)	RM/120?135 (6z)	15
29	4818223S	RM curved hoe (in 10x box)	RM/170?185 (6z)	21
29	4818223S	RM curved hoe (in 10x box)	RM/210 (6z)	24
29	4818223S	RM curved hoe (in 10x box)	RM/235 (6z)	27
30	4818222S	RM curved hoe (in 10x box)	RM/110 (4z)	8
30	4818222S	RM curved hoe (in 10x box)	RM/120?135 (4z)	10
30	4818222S	RM curved hoe (in 10x box)	RM/150?160 (4z) - RM/110 (6z)	12
30	4818222S	RM curved hoe (in 10x box)	RM/170?185 (4z)	14
30	4818222S	RM curved hoe (in 10x box)	RM/210 (4z)	16
30	4818222S	RM curved hoe (in 10x box)	RM/235 (4z) - RM/150?160 (6z)	18
30	4818222S	RM curved hoe (in 10x box)	RM/120?135 (6z)	15
30	4818222S	RM curved hoe (in 10x box)	RM/170?185 (6z)	21
30	4818222S	RM curved hoe (in 10x box)	RM/210 (6z)	24
30	4818222S	RM curved hoe (in 10x box)	RM/235 (6z)	27
31	4148040	RM/RD/CST/TZF dust cover lid		1
32	4728703	CST/RM/RD driven gear hub		1
33	6203707	GNL IM5470 transmission side support oil seal		1
34	4708702	RM/RD/CST duct gear hub support		1
35	2821309	21309 bearing		1
36	6310100	Elastic ring Ø100 UNI7437 DIN472		1
37	4788217	Driven gear seal		1
38	3022112035	Screw UNI5739 10.9 M12x35 galvanised (coarse pitch		6
39	4828201	RM/RMF curved hoes kit (1x Rh + 1x Lh)	RM/235 (6z)	27
39	4828201	RM/RMF curved hoes kit (1x Rh + 1x Lh)	RM/150?160 (4z) - RM/110 (6z)	12
39	4828201	RM/RMF curved hoes kit (1x Rh + 1x Lh)	RM/170?185 (4z)	14
39	4828201	RM/RMF curved hoes kit (1x Rh + 1x Lh)	RM/120?135 (6z)	15
39	4828201	RM/RMF curved hoes kit (1x Rh + 1x Lh)	RM/210 (4z)	16
39	4828201	RM/RMF curved hoes kit (1x Rh + 1x Lh)	RM/235 (4z) - RM/150?160 (6z)	18
39	4828201	RM/RMF curved hoes kit (1x Rh + 1x Lh)	RM/170?185 (6z)	21
39	4828201	RM/RMF curved hoes kit (1x Rh + 1x Lh)	RM/210 (6z)	24
39	4828201	RM/RMF curved hoes kit (1x Rh + 1x Lh)	RM/110 (4z)	8
39	4828201	RM/RMF curved hoes kit (1x Rh + 1x Lh)	RM/120?135 (4z)	10
40	4828202	RM/RMF squared hoes kit (1x Rh + 1x Lh)	RM/120?135 (6z)	15
40	4828202	RM/RMF squared hoes kit (1x Rh + 1x Lh)	RM/235 (6z)	27
40	4828202	RM/RMF squared hoes kit (1x Rh + 1x Lh)	RM/170?185 (4z)	14
40	4828202	RM/RMF squared hoes kit (1x Rh + 1x Lh)	RM/110 (4z)	8
40	4828202	RM/RMF squared hoes kit (1x Rh + 1x Lh)	RM/210 (6z)	24
40	4828202	RM/RMF squared hoes kit (1x Rh + 1x Lh)	RM/120?135 (4z)	10
40	4828202	RM/RMF squared hoes kit (1x Rh + 1x Lh)	RM/170?185 (6z)	21
40	4828202	RM/RMF squared hoes kit (1x Rh + 1x Lh)	RM/235 (4z) - RM/150?160 (6z)	18
40	4828202	RM/RMF squared hoes kit (1x Rh + 1x Lh)	RM/210 (4z)	16
40	4828202	RM/RMF squared hoes kit (1x Rh + 1x Lh)	RM/150?160 (4z) - RM/110 (6z)	12
41	4822403	Kit blades 2 holes RD/RM/RMF	RM/185	22

Machine type: TILLER

Model: RM

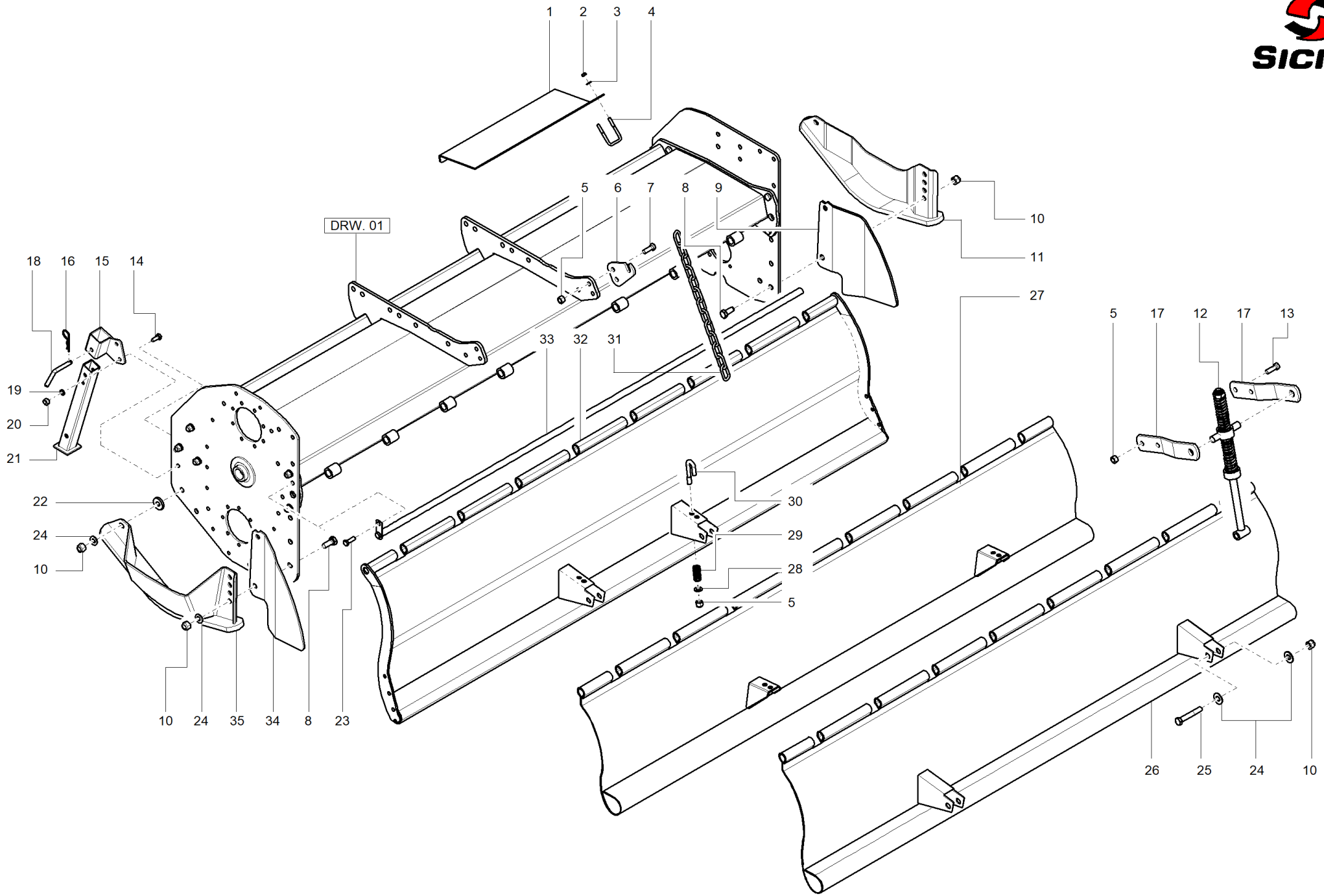
Group: ROTOR AND TOOLS

Document ID: 902844001

Revision: 09_24/03/2021 ->

Table: 05

Reference	P/N	Description	Model #	Quantity
41	4822403	Kit blades 2 holes RD/RM/RMF	RM/210	26
41	4822403	Kit blades 2 holes RD/RM/RMF	RM/160	18
41	4822403	Kit blades 2 holes RD/RM/RMF	RM/235	30
42	8144000060	Kit 60 screws M14x40+nut+washer SD135 (6 hoes/flange)	RM/120?135 (6z)	1
42	8144000108	108 screws+washers+nuts M14x40 for bladese kit	RM/235 (6z)	1
42	8144000096	Kit 96 screws M14x40+nut+washer SD210 (6 hoes/flange)	RM/210 (6z)	1
42	8144000084	Kit 84 screws M14x40+nut+washer SD185 (6 hoes/flange)	RM/170?185 (6z)	1
42	8144000064	Kit 64 screws M14x40+nut+washer SD210 (4 hoes/flange)	RM/210 (4z)	1
42	8144000056	Kit 56 screws M14x40+nut+washer SD185 (4 hoes/flange)	RM/170?185 (4z)	1
42	8144000048	Kit 48 screws M14x40+nut+washer SD150/160 (4 hoes/flange)	RM/150?160 (4z) - RM/110 (6z)	1
42	8144000040	Kit 40 screws M14x40+nut+washer SD135 (4 hoes/flange)	RM/120?135 (4z)	1
42	8144000032	Kit 32 nuts RD110 (4 hoes/flange)	RM/110 (4z)	1
42	8144000072	Kit 72 screws M14x40+nut+washer SD150/160 (6 hoes/flange)	RM/235 (4z) - RM/150?160 (6z)	1
43	8144500120	Kit 120 hoe screws M14x45 nut + washer	RM/235 (4l)	1
43	8144500104	104 screws+washers+nuts M14x45 for bladese kit	RM/210 (4l)	1
43	8144500088	88 screws+washers+nuts M14x45 for bladese kit	RM/185 (4l)	1
43	8144500072	72 screws+washers+nuts M14x45 for bladese kit	RM/160 (4l)	1



Machine type: TILLER

Document ID: 902844001

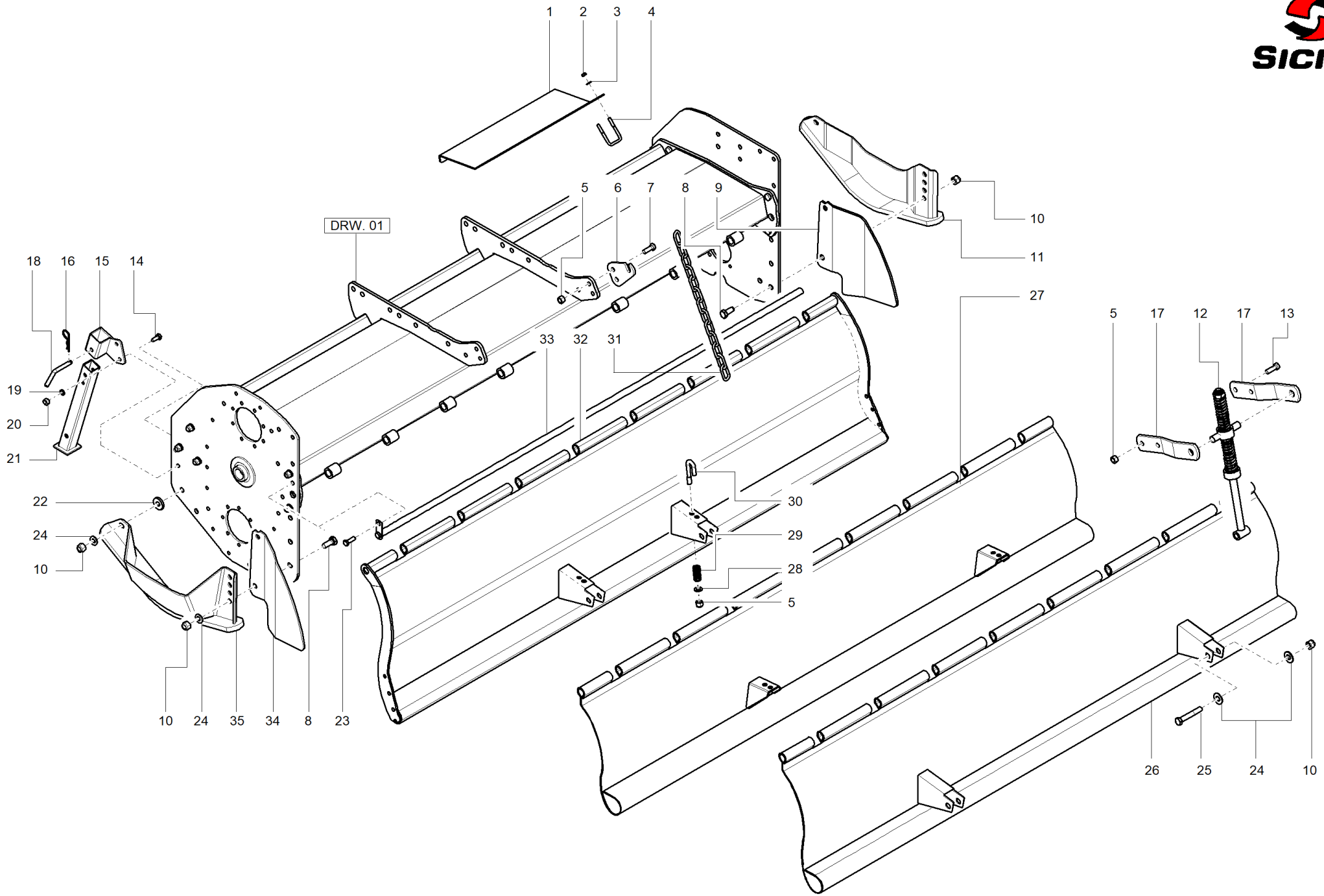
Model: RM

Revision: 09_24/03/2021 ->

Group: REAR LIDS, GUARDS AND SUPPORTS

Table: 06

Reference	P/N	Description	Model #	Quantity
1	4132224	CE Guard	RM/110•120	2
1	4132225	CE Guard	RM/135	2
1	4132228	CE Guard	RM/150	2
1	4132230	Front protection sheet L=250 panel 50-60	RM/160	2
1	4132232	CE front shieding 300mm	RM/170	2
1	4132235	Front protection sheet L=375 panel 50-60	RM/185	2
1	4132240	CE front shieding 500mm	RM/210	2
1	4132249	CE front shieding 625mm	RM/235	2
2	3444101008	DIN980 self-locking M8 (coarse pitch) 8 zinc plated nut	RM/135•150•160•170•185•210•235	8
2	3444101008	DIN980 self-locking M8 (coarse pitch) 8 zinc plated nut	RM/110•120	4
3	3604100008	Flat washer UNI6592 140Hv Øi08 galvanised	RM/110•120	4
3	3604100008	Flat washer UNI6592 140Hv Øi08 galvanised	RM/135•150•160•170•185•210•235	8
4	4302003	60 RM/RD panel M8 tie	RM/110•120	2
4	4302003	60 RM/RD panel M8 tie	RM/135•150•160•170•185•210•235	4
5	3464101012	UNI7473 (coarse pitch) M12 zinc plated nut	RM/110•120•135•150•170•185•210	6
5	3464101012	UNI7473 (coarse pitch) M12 zinc plated nut	RM/235	12
6	4934778	SP/RM/RG chain lid hook	RM/235	4
6	4934778	SP/RM/RG chain lid hook	RM/110•120•135•150•170•185•210	2
7	3021112035	Screw UNI5739 8.8 M12x35 galvanised (coarse pitch)	RM/235	8
7	3021112035	Screw UNI5739 8.8 M12x35 galvanised (coarse pitch)	RM/110•120•135•150•170•185•210	4
8	3021114040	Screw UNI5739 8.8 M14x40 galvanised (coarse pitch)		6
9	4932109	ST/SM/RD right mud rasp		1
10	3464101014	UNI7473 (coarse pitch) M14 zinc plated nut	RM/235	10
10	3464101014	UNI7473 (coarse pitch) M14 zinc plated nut	RM/110•120•135•150•170•185•210	8
11	4007011	CE RM/SM protection external slide		1
12	4002590	Bonnet presses kit	RM/235	4
12	4002590	Bonnet presses kit	RM/110•120•135•150•170•185•210	2
13	3011112050	Screw UNI5737 8.8 M12x50 galvanised (coarse pitch)	RM/110•120•135•150•170•185•210	4
13	3011112050	Screw UNI5737 8.8 M12x50 galvanised (coarse pitch)	RM/235	8
14	3021110025	Screw UNI5739 8.8 M10x25 galvanised (coarse pitch)		2
15	4002377	Foot support		1
16	6351003	Split pin Ad R Ø3 galvanised		1
17	4834002	RD/RG boom for lid regulation	RM/235	8
17	4834002	RD/RG boom for lid regulation	RM/110•120•135•150•170•185•210	4
18	4236115	SA/SB/CS/ZLL/RM foot locking pin		1
19	3604100010	Flat washer UNI6592 140Hv Øi10 galvanised		2
20	3464101010	UNI7473 (coarse pitch) M10 zinc plated nut		2
21	4002376	Support foot		1
22	4237904	ST/SM/RD slide coupling spacer		2
23	3021112030	Screw UNI5739 8.8 M12x30 galvanised (coarse pitch)		4
24	3604100014	Flat washer UNI6592 140Hv Øi14 galvanised	RM/235	8
24	3604100014	Flat washer UNI6592 140Hv Øi14 galvanised	RM/110•120•135•150•170•185•210	4
25	3011114080	Screw UNI5737 8.8 M14x80 galvanised (coarse pitch)	RM/110•120•135•150•170•185•210	2
25	3011114080	Screw UNI5737 8.8 M14x80 galvanised (coarse pitch)	RM/235	4
26	4007980	C-type rear lid	RM/160	1
26	4007981	C-type rear lid	RM/185	1
26	4007982	C-type rear lid	RM/210	1
26	4007983	C-type rear lid Right	RM/235	1
26	4007984	C-type rear lid Left	RM/235	1
27	4007670	A-type rear lid	RM/160	1
27	4007973	B-type rear lid SM185	RM/185	1
27	4007974	B-type rear lid SM210	RM/210	1
27	4007975	B-type rear lid Right SM235	RM/235	1
27	4007976	B-type rear lid Left SM235	RM/235	1
28	3604100012	Flat washer UNI6592 140Hv Øi12 galvanised	RM/235	4
28	3604100012	Flat washer UNI6592 140Hv Øi12 galvanised	RM/110•120•135•150•170•185•210	2
29	4212214	RM/RD/RC shock absorber spring	RM/110•120•135•150•170•185•210	2
29	4212214	RM/RD/RC shock absorber spring	RM/235	4
30	4302183	Rear lid spring hook	RM/110•120•135•150•170•185•210	2
30	4302183	Rear lid spring hook	RM/235	4



Machine type: TILLER

Model: RM

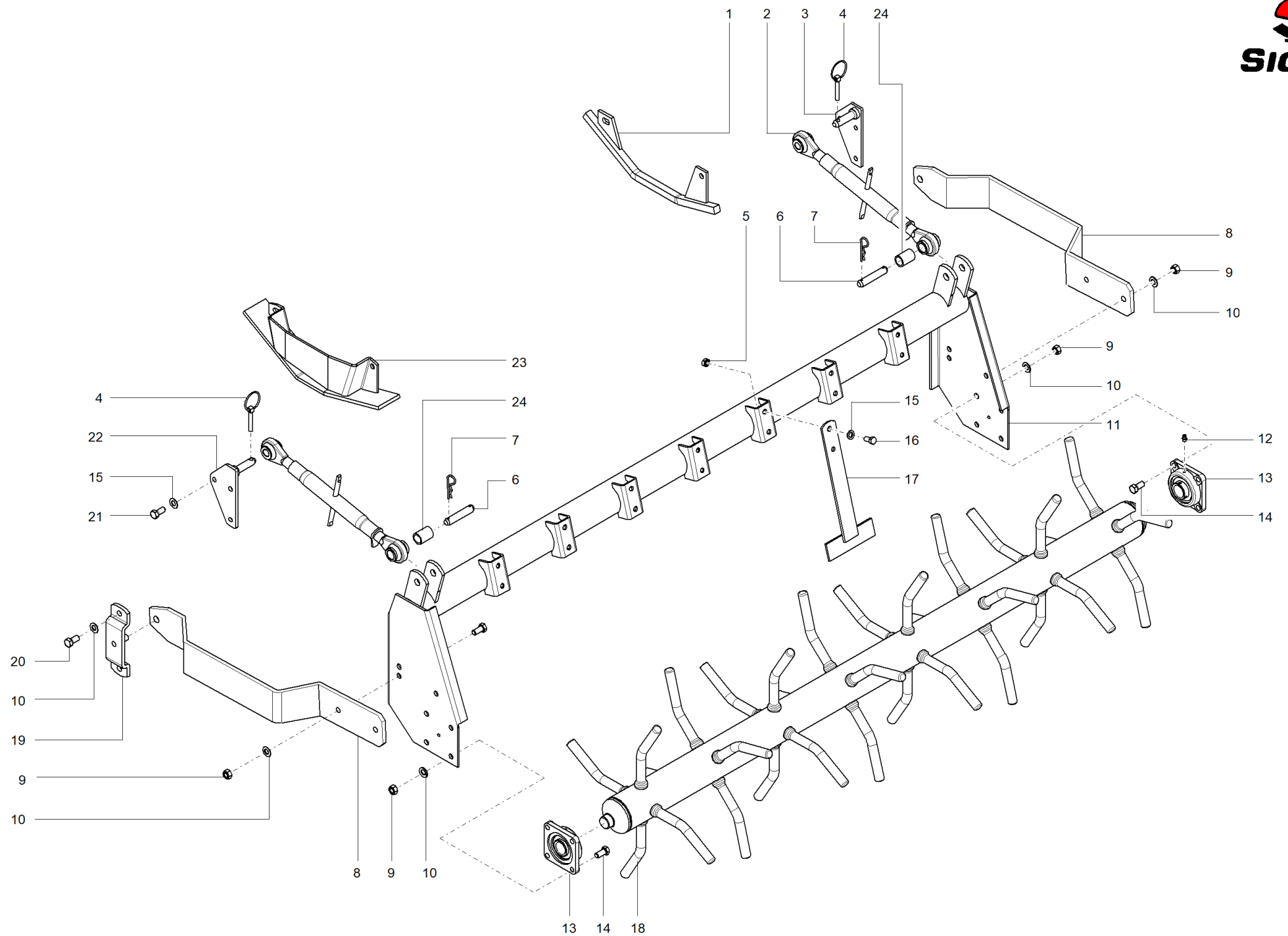
Group: REAR LIDS, GUARDS AND SUPPORTS

Document ID: 902844001

Revision: 09_24/03/2021 ->

Table: 06

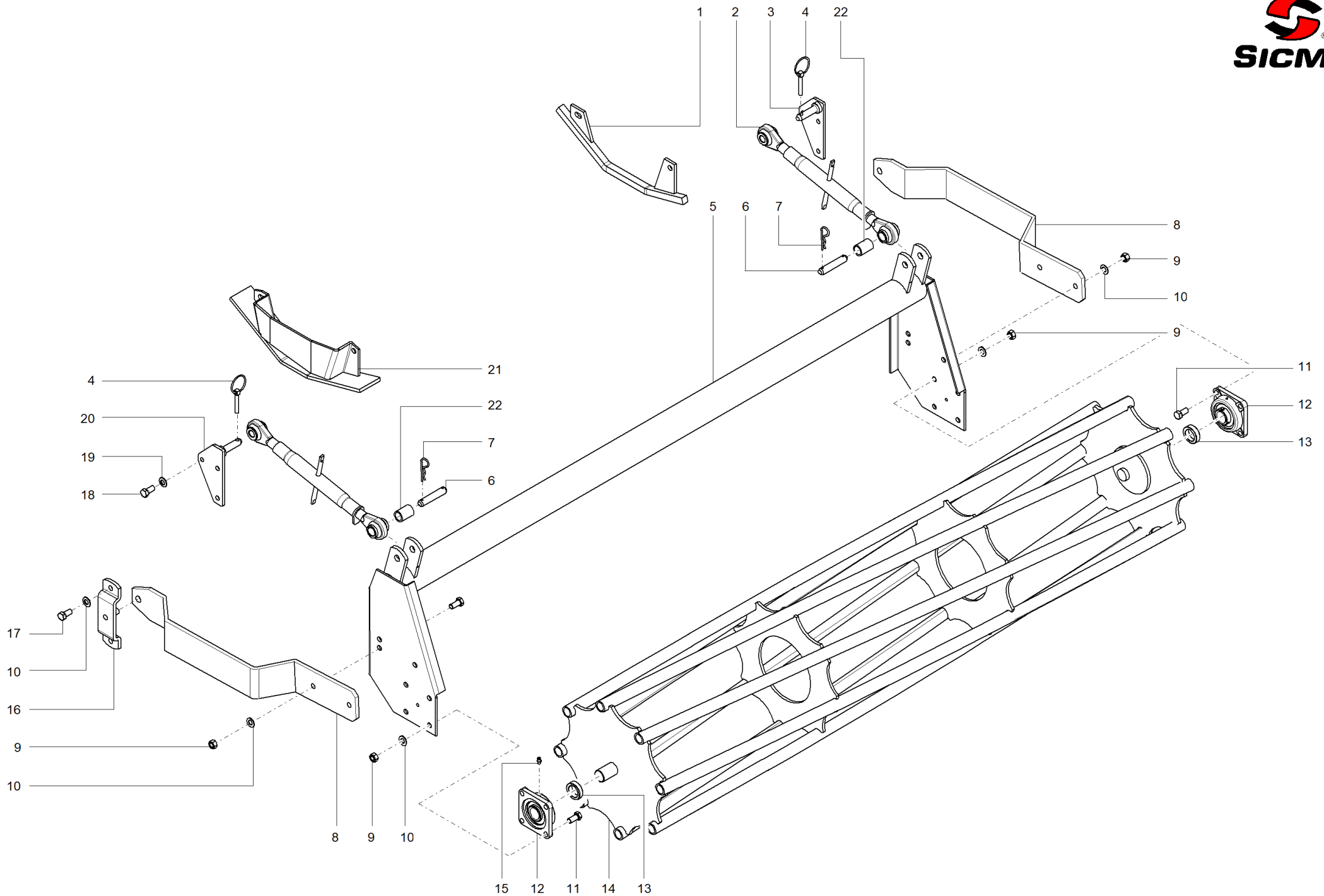
Reference	P/N	Description	Model #	Quantity
31	4674003	CS/RG/SP lid chain 13 rollers	RM/110•120•135•150•170•185•210 (A type)	2
31	4674003	CS/RG/SP lid chain 13 rollers	RM/235 (A type)	4
31	4678001	SM/SD lid chain 14 rollers	RM/235 (B type)	4
31	4678001	SM/SD lid chain 14 rollers	RM/110•120•135•150•170•185•210 (B type)	2
32	4017660	Rear bonnet	RM/110 (chain)	1
32	4017661	Rear bonnet	RM/120 (chain)	1
32	4017662	Rear bonnet	RM/135 (chain)	1
32	4017663	Rear bonnet	RM/150 (chain)	1
32	4017665	Rear bonnet	RM/110 (presses)	1
32	4017666	Rear bonnet	RM/120 (presses)	1
32	4017667	Rear bonnet	RM/135 (presses)	1
32	4017668	Rear bonnet	RM/150 (presses)	1
32	4017919	Rear bonnet	RM/160	1
32	4017920	Rear bonnet	RM/185	1
32	4017921	Rear bonnet	RM/210	1
32	4017924	Rear bonnet	RM/170	1
32	4017925	Rh, rear bonnet	RM/235	1
32	4017926	Lh, rear bonnet	RM/235	1
33	4004781	Bonnet pin	RM/110	1
33	4004782	Bonnet pin	RM/120	1
33	4004783	Bonnet pin	RM/135	1
33	4004784	Bonnet pin	RM/150	1
33	4004785	Bonnet pin	RM/160	1
33	4004786	Bonnet pin	RM/170	1
33	4004788	Bonnet pin	RM/185	1
33	4004790	Bonnet pin	RM/210	1
33	4004792	Bonnet pin	RM/235	1
34	4932110	ST/SM/RD left mud rasp		1
35	4007010	CE RM/SM protection transmission slide		1



Machine type: TILLER
 Model: RM
 Group: SPIKE ROLLER

Document ID: 902844001
 Revision: 09_24/03/2021 ->
 Table: 07

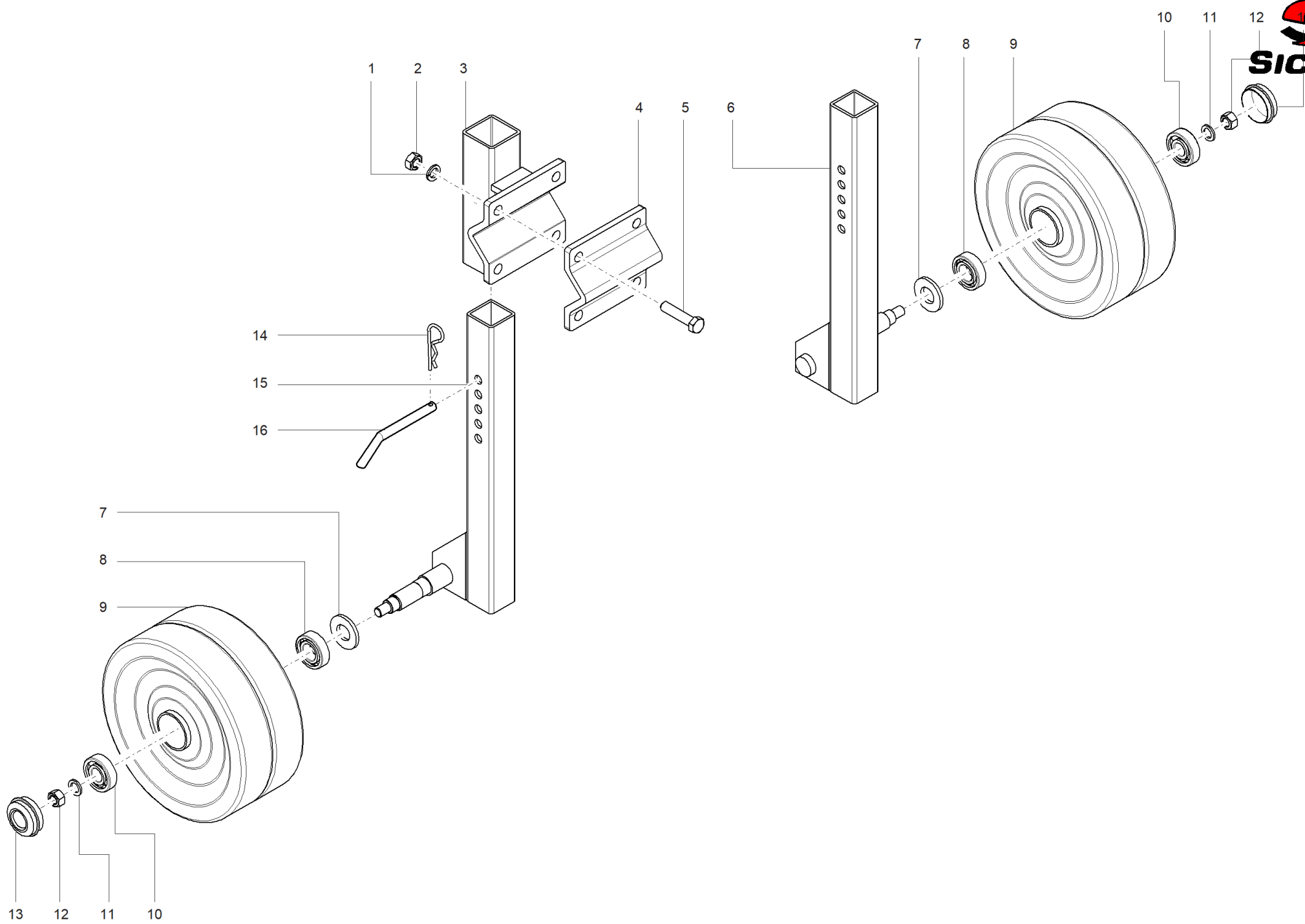
Reference	P/N	Description	Model #	Quantity
1	4007614	External protection		1
2	6391320	19.25/320 3rd point boom		2
3	4007601	RM-roller right junction coupling plate		1
4	6350010	Snap pin DIN11023 D10 galvanised		2
5	3464101012	UNI7473 (coarse pitch) M12 zinc plated nut	RM/210	14
5	3464101012	UNI7473 (coarse pitch) M12 zinc plated nut	RM/235	16
5	3464101012	UNI7473 (coarse pitch) M12 zinc plated nut	RM/185	12
5	3464101012	UNI7473 (coarse pitch) M12 zinc plated nut	RM/160	10
6	4304003	RG fastening tie rod 3rd point pin		2
7	6351004	Split pin Ad R Ø4 galvanised		4
8	4932143	Arm		2
9	3464101014	UNI7473 (coarse pitch) M14 zinc plated nut		12
10	3604100014	Flat washer UNI6592 140Hv Øi14 galvanised		12
11	4007607	Frame for roller SM155	RM/160	1
11	4007609	Frame for roller SM180	RM/185	1
11	4007610	Frame for roller SM205	RM/210	1
11	4007611	Frame for roller SM230	RM/235	1
12	6560006	Type-A greaser UNI7663 M6x1		2
13	2000035	UCF-207 support		2
14	3021114040	Screw UNI5739 8.8 M14x40 galvanised (coarse pitch)		8
15	3604100012	Flat washer UNI6592 140Hv Øi12 galvanised	RM/235	16
15	3604100012	Flat washer UNI6592 140Hv Øi12 galvanised	RM/160	10
15	3604100012	Flat washer UNI6592 140Hv Øi12 galvanised	RM/210	14
15	3604100012	Flat washer UNI6592 140Hv Øi12 galvanised	RM/185	12
16	3021112030	Screw UNI5739 8.8 M12x30 galvanised (coarse pitch)	RM/160	10
16	3021112030	Screw UNI5739 8.8 M12x30 galvanised (coarse pitch)	RM/185	12
16	3021112030	Screw UNI5739 8.8 M12x30 galvanised (coarse pitch)	RM/235	16
16	3021112030	Screw UNI5739 8.8 M12x30 galvanised (coarse pitch)	RM/210	14
17	4007615	Scraper	RM/235	8
17	4007615	Scraper	RM/210	7
17	4007615	Scraper	RM/185	6
17	4007615	Scraper	RM/160	5
18	4007693	Spike roller		1
18	4007695	Spike roller		1
18	4007696	Spike roller		1
18	4007697	Spike roller		1
19	4007616	Roller fastening staff		2
20	3021114035	Screw UNI5739 8.8 M14x35 galvanised (coarse pitch)		4
21	3021112035	Screw UNI5739 8.8 M12x35 galvanised (coarse pitch)		6
22	4007602	RM-roller left junction coupling plate		1
23	4007613	Crankcase protection		1
24	5532112	25X19 junction bushing		2



Machine type: TILLER
Model: RM
Group: CAGE ROLLER

Document ID: 902844001
Revision: 09_24/03/2021 ->
Table: 08

Reference	P/N	Description	Model #	Quantity
1	4007614	External protection		1
2	6391320	19.25/320 3rd point boom		2
3	4007601	RM-roller right junction coupling plate		1
4	6350010	Snap pin DIN11023 D10 galvanised		2
5	4005123	Frame RM/160	RM/160	1
5	4005124	Frame for roller with cage SP180	RM/185	1
5	4005125	Roller frame SP210 side coupling	RM/210	1
5	4005126	Frame for roller with cage RG230	RM/235	1
6	4304003	RG fastening tie rod 3rd point pin		2
7	6351004	Split pin Ad R Ø4 galvanised		4
8	4932144	Arm		2
9	3464101014	UNI7473 (coarse pitch) M14 zinc plated nut		12
10	3604100014	Flat washer UNI6592 140Hv Øi14 galvanised		12
11	3021114040	Screw UNI5739 8.8 M14x40 galvanised (coarse pitch)		8
12	2000035	UCF-207 support		2
13	4594007	RG support spacer		2
14	4004180	Cage roller	RM/185	1
14	4004181	Ø430 RD/RM cage roller kit	RM/210	1
14	4004182	SP/RG230 Ø550 cage roller	RM/235	1
14	4004186	Roller RM/160	RM/160	1
15	6560006	Type-A greaser UNI7663 M6x1		2
16	4007616	Roller fastening staff		2
17	3021114035	Screw UNI5739 8.8 M14x35 galvanised (coarse pitch)		4
18	3021112035	Screw UNI5739 8.8 M12x35 galvanised (coarse pitch)		6
19	3604100012	Flat washer UNI6592 140Hv Øi12 galvanised		6
20	4007602	RM-roller left junction coupling plate		1
21	4007613	Crankcase protection		1
22	5532112	25X19 junction bushing		2



Machine type: TILLER

Model: RM

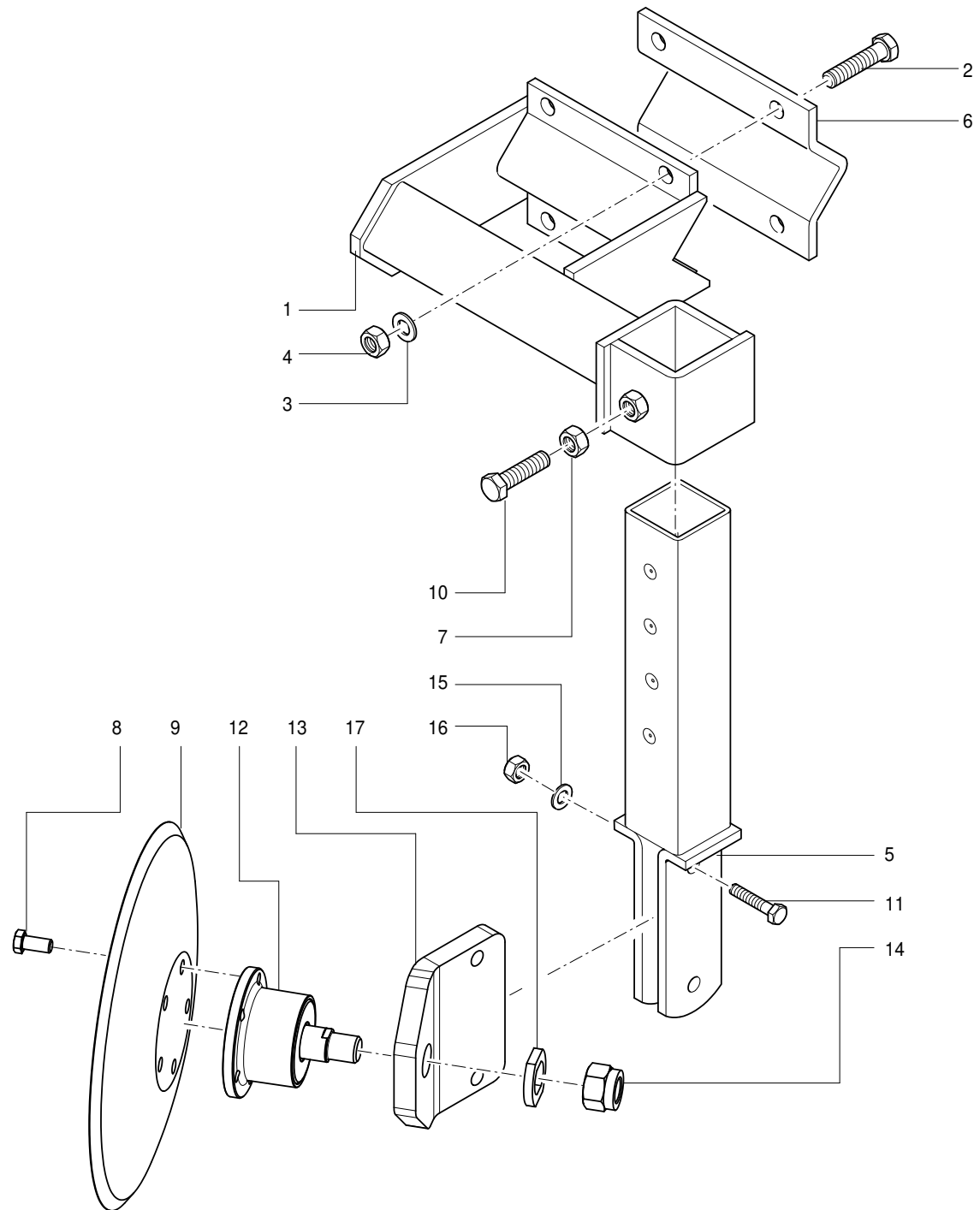
Group: FRONT WHEELS

Document ID: 902844001

Revision: 09 _24/03/2021 ->

Table: 09

Reference	P/N	Description	Model #	Quantity
1	3625100014	Grower washer DIN1751 C70 Øi14 zinc plated		8
2	3415102014	UNI 5587 Cl.10 M14 (fine pitch) nut		8
3	4007852	SM wheel coupling		2
4	4838290	3rd point plate		2
5	3031114060	Screw UNI5738 8.8 M14x60 galvanised (fine pitch)		8
6	4007854	SM/ST Right wheel support		1
7	34018024	Flat washer 25x51x5		2
8	2226205	6205 2RS bearing		2
9	6611280	Iron wheel 280x120		2
10	2226304	6304 2RS bearing		2
11	3604100018	Flat washer Ø18 UNI6592		2
12	3445102018	Self-locking nut M18 PF high		2
13	6600052	Cup Ø52		2
14	6351003	Split pin Ad R Ø3 galvanised		2
15	4007855	SM/ST Left wheel support		1
16	4236115	SA/SB/CS/ZLL/RM foot locking pin		2



Machine type: TILLER
Model: RM
Group: HARROW DISC

Document ID: 902844001
Revision: 09_24/03/2021 ->
Table: 10

Reference	P/N	Description	Model #	Quantity
1	4008015	SM/RM harrow disc support unit		2
2	3031014070	Screw TE M14x70 UNI5738 fine pitch		8
3	3625000016	Grower Washer Ø16 UNI1751		8
4	3414101016	Nut M16 UNI5587		8
5	4004191	SM/SP harrow disc support		2
6	4838290	3rd point plate		2
7	3414101014	Nut M14 UNI5587 coarse pitch		2
8	3031112020	Screw TE M12x20 UNI5738 fine pitch		10
9	4112901	Smooth disc Ø350		2
10	3021114060	Screw UNI5739 8.8 M14x60 galvanised (coarse pitch)		2
11	3031014060	Screw TE M14x60 UNI5738 fine pitch		4
12	2043000	Support Agrihubs NSK AHU30117AS-04 NN EA5H5		2
13	4934046	Coupling plate		2
14	3474102024	UNI7474 Hmax 21mm fine pitch M24 zinc plated nut		2
15	3625000014	Grower Washer Ø14 UNI1751		4
16	3414101014	Nut M14 UNI5587 coarse pitch		4
17	4932950	Inter-row machine Agrihub Ø30 anti-loosening washer		2