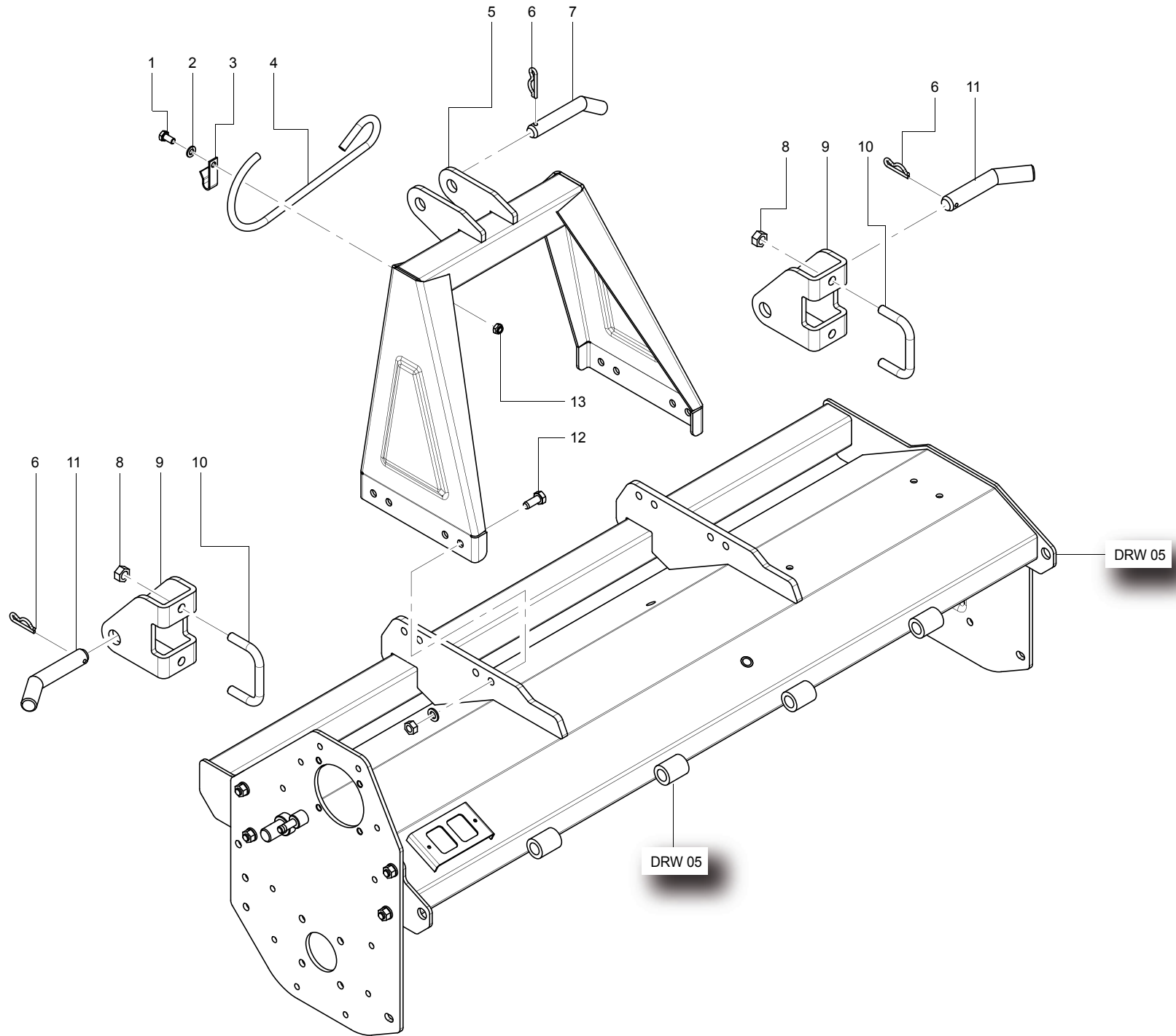


Type: FRESATRICE/TILLER
Mod.: BH/100•120•145
Rev.: 00/2015
Drw.: 01



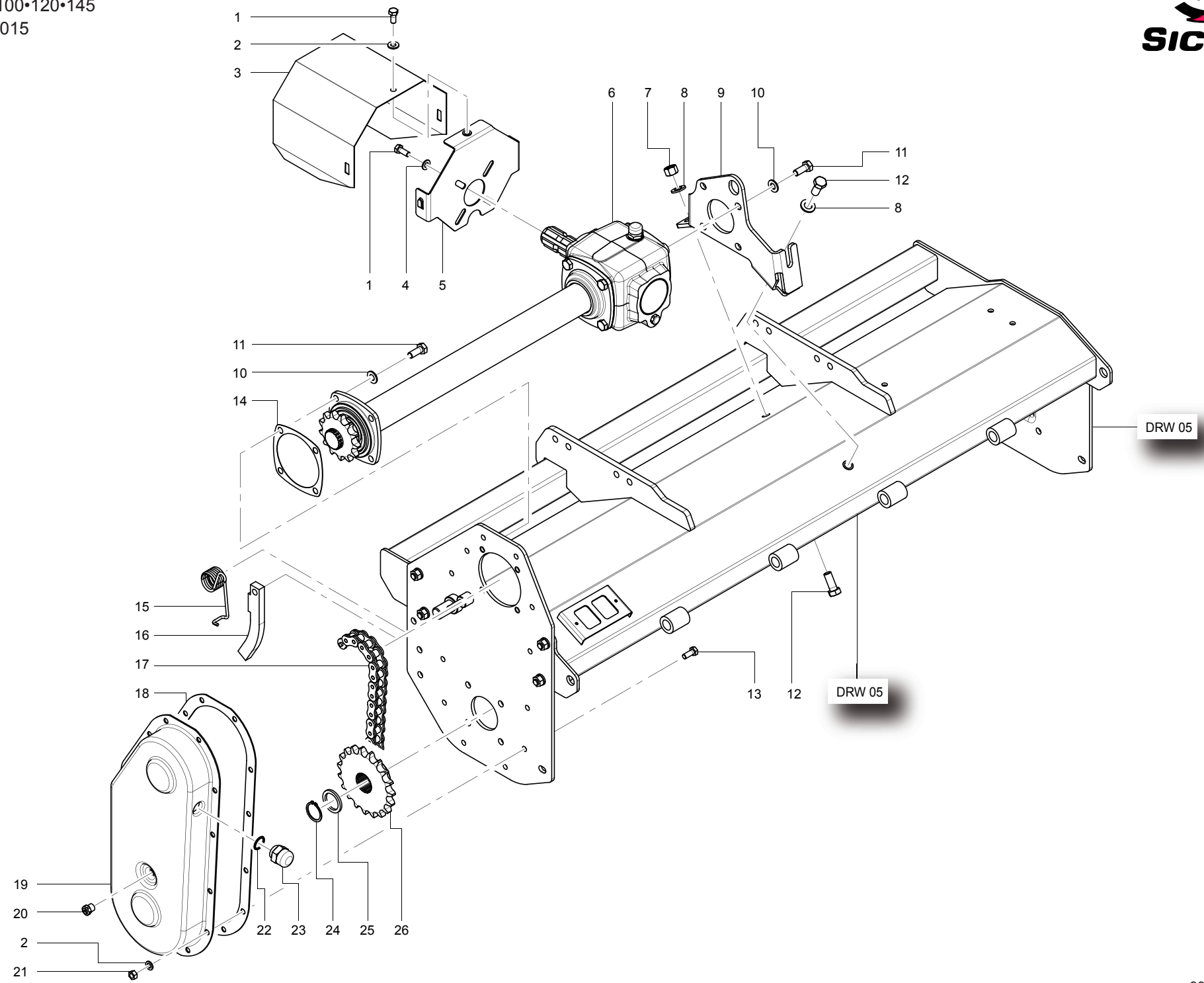
Type: FRESATRICE/TILLER
Mod.: BH/100•120•145
Rev.: 00/2015
Tab.: 01



Pag.: 1/1

RIF	CODICE	DESCRIZIONE	DESCRIPTION	Qt
1	3021108016	Vite TE M8x16 UNI 5739	Screw M8x16 UNI 5739	1
2	3604100008	Rosetta Ø8 UNI 6592	Washer Ø8 UNI 6592	1
3	5137068	Clip gancio sostegno giunto	Clip for hook	1
4	4337002	Gancio 200 per cardano	Hook for cardan	1
5	4002816	Telaio 3° punto superiore	Upper 3rd point frame	1
6	6351004	Coppiglia ad "R" Ø4	Split pin "R" Ø4	3
7	4301589	Perno 3° punto superiore	Upper pin	1
8	3464101012	Dado ATB M12 UNI 7473	Self locking M12 UNI 7473	4
9	4132814	3° punto inferiore	Lower 3rd point	2
10	4202801	Cravatta fissaggio 3° punto	"U" screw	2
11	4301590	Perno 3° punto inferiore	Lower pin	2
12	3021110035	Vite TE M10x35 UNI 5739	Screw M10x35 UNI 5739	8
13	3464101008	Dado ATB M8 UNI 7473	Self locking nut M8 UNI 7473	1

Type: FRESATRICE/TILLER
Mod.: BH/100•120•145
Rev.: 00/2015
Draw.: 02



Type: FRESATRICE/TILLER

Mod.: BH/100•120•145

Rev.: 00/2015

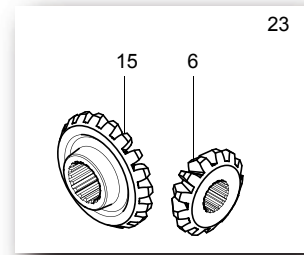
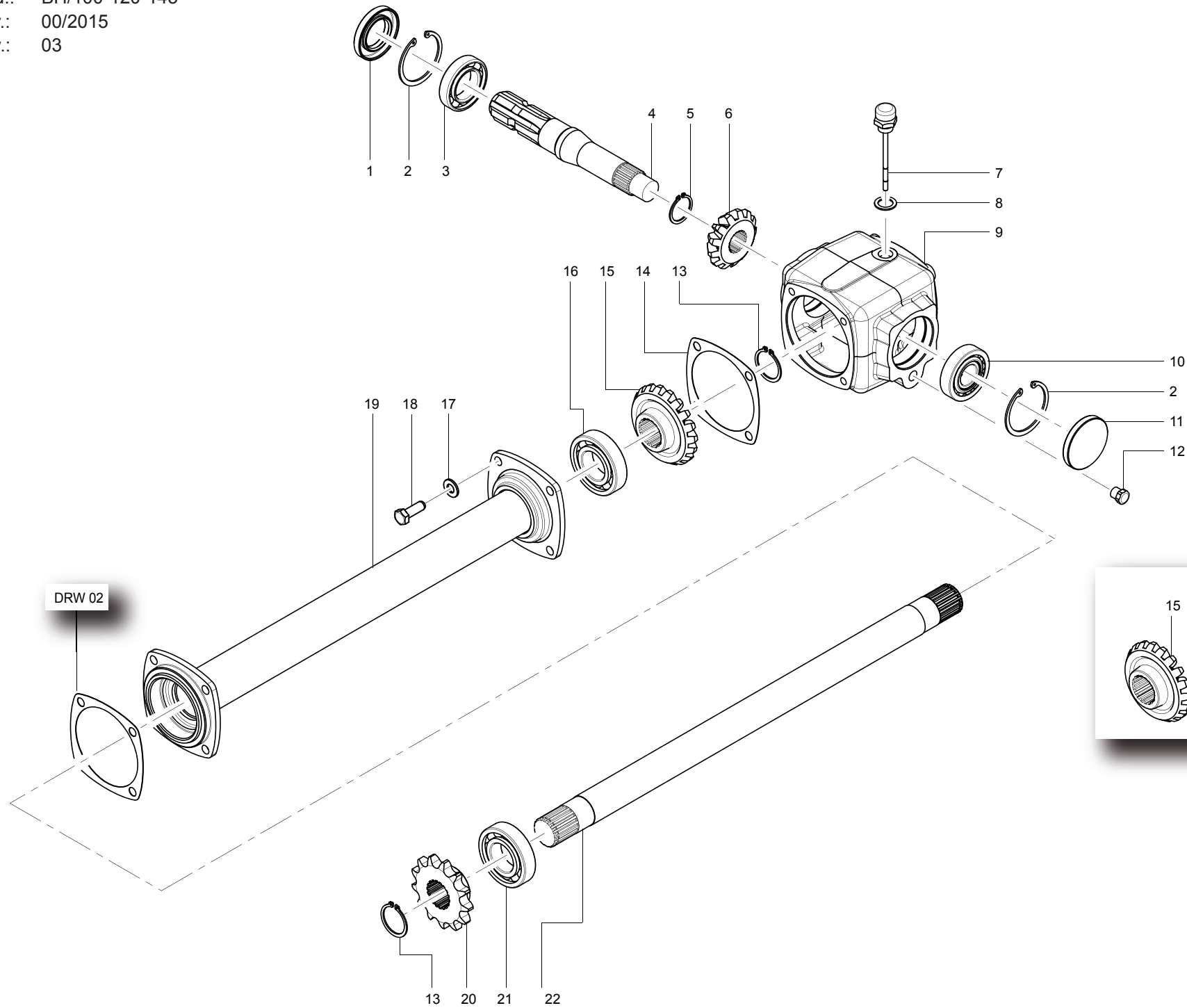
Tab.: 02



Pag.: 1/1

RIF	CODICE	DESCRIZIONE	DESCRIPTION	Qt
1	3021108016	Vite TE M8x16 UNI 5739	Screw M8x16 UNI 5739	5
2	3604100008	Rosetta Ø8 UNI 6592	Washer Ø8 UNI 6592	14
3	4131290	Protezione giunto	Cardan protection	1
4	3614100008	Rosetta larga Ø8 UNI 6593	Washer Ø8 UNI 6593	4
5	4131291	Supporto protezione giunto	Support	1
6	80664-20	Gruppo + prolunga BH/100 decentrata	Complete gar box BH/100	1
6	80664-22	Gruppo + prolunga BH/120	Complete gar box BH/120	1
6	80664-23	Gruppo + prolunga BH/145	Complete gar box BH/145	1
7	3464101012	Dado ATB M12 UNI 7473	Self locking M12 UNI 7473	1
8	3604100012	Rosetta Ø12 UNI 6592	Washer Ø12 UNI 6592	2
9	4132815	Supporto riduttore	Gear box support	1
10	3604100010	Rosetta Ø10 UNI 6592	Washer Ø10 UNI 6592	8
11	3021110020	Vite TE M10x20 UNI 5739	Screw M10x20 UNI 5739	8
12	3021112025	Vite TE M12x25 UNI 5739	Screw M12x25 UNI 5739	2
13	3021108020	Vite TE M8x20 UNI 5739	Screw M8x20 UNI 5739	13
14	17864-00	Guarnizione supporto riduttore	Gasket	1
15	4211263	Molla ammortizzatore tendicinghia	Spring	1
16	4001606	Pattino catena	Chain adjuster	1
17	6700019	Catena ASA60 HE 46 MG	ASA60 HE 46 MG chain	1
18	4781621	Guarnizione carter trasmissione	Gasket	1
19	4141103	Carter trasmissione catena	Transmission cover	1
20	3444114	Tappo conico con oblo' M14x1.5	Oil plug M14x1.5	1
21	3464101008	Dado ATB M8 UNI 7473	Self locking M8 UNI 7473	13
22	6800018	Tenuta OR 116 Ø18.72x2,62	Oil seal OR 116 Ø18.72x2,62	1
23	3442022	Tappo valvola M22x1.5	Oil plug M22x1.5	1
24	6320030	Seeger x alberi Ø30 UNI 7435-DIN 471	Reating ring for shaft Ø30 UNI 7435-DIN 471	1
25	6013010	Rasamento 30x40x1.5	Shim 30x40x1.5	1
26	4201617	Ruota dentata condotta Z19	Driven gear Z19	1

Type: FRESATRICE/TILLER
Mod.: BH/100•120•145
Rev.: 00/2015
Drw.: 03



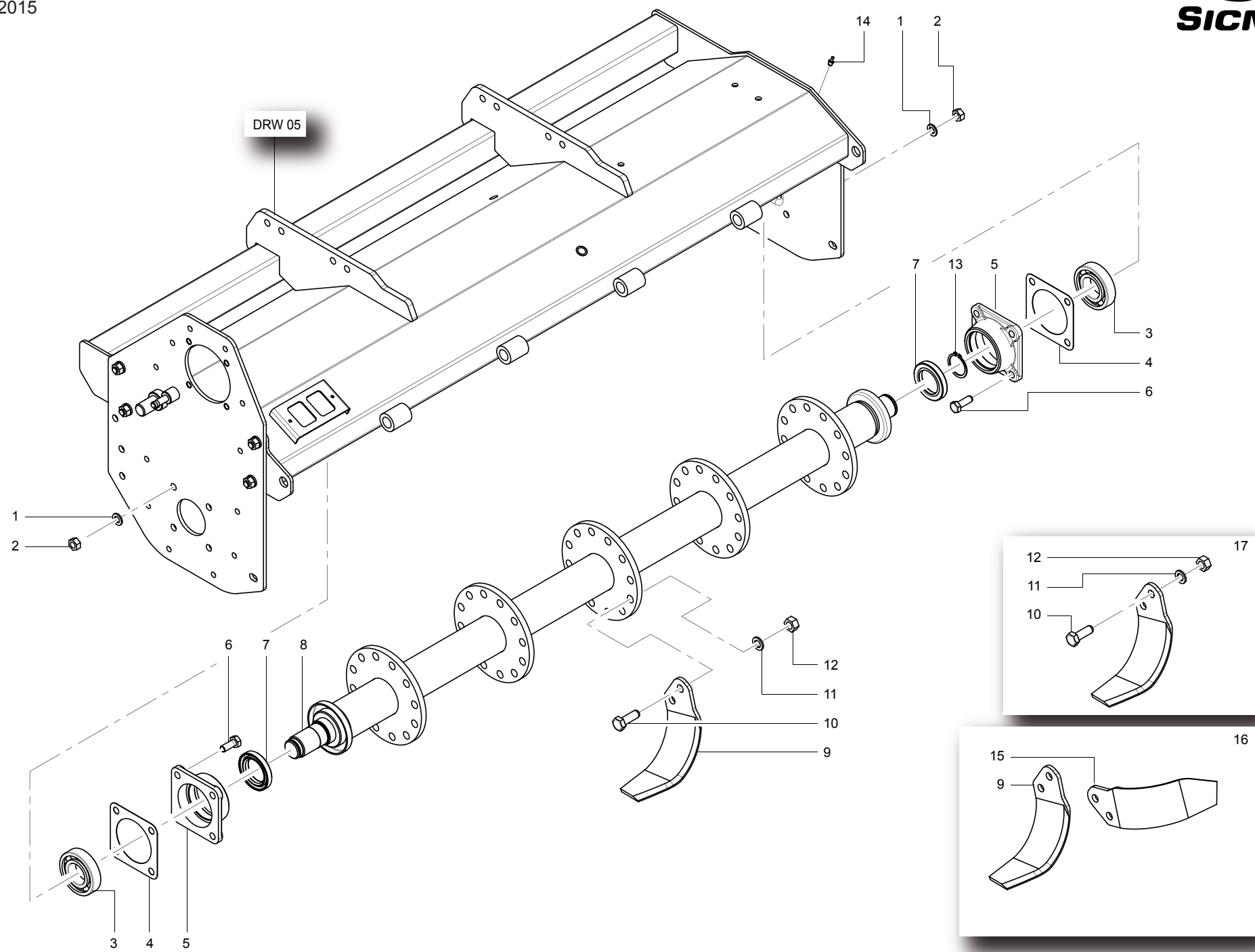
Type: FRESATRICE/TILLER
 Mod.: BH/100•120•145
 Rev.: 00/2015
 Tab.: 03



Pag.: 1/1

RIF	CODICE	DESCRIZIONE	DESCRIPTION	Qt
1	6203562	Paraolio 35x62x10 PP DIN 3760 tipo AS	Oil seal 35x62x10 PP DIN 3760 AS type	1
2	6310062	Anello elastico x fori Ø62 UNI 7437	Retaning ring for bores Ø62 UNI 7437	2
3	2106007	Cuscinetto 6007	Bearing 6007	1
4	12164-00	Albero presa di forza	PTO shaft	1
5	6320030	Anello elastico x alberi Ø30 UNI 7435-DIN 471	Retaning ring for shaft Ø30 UNI 7435-DIN 471	
6	12264-00	Pignone conico Z13	Conical pinion Z13	1
7	65316-01	Tappo sfiato e livello olio	Oil plug	1
8	6470116	Rondella di tenuta Ø16	Washer Ø16	1
9	16564-00	Carter	Gear box	1
10	2730305	Cuscinetto 30305	Bearing 30305	1
11	6100062	Cappellotto chiusura Ø62	Cover Ø62	1
12	3441014	Tappo conico M14x1.5	Conical oil plug	1
13	6320035	Anello elastico x alberi Ø35 UNI 7435-DIN 471	Retaning ring for shaft Ø35 UNI 7435-DIN 471	2
14	17864-00	Guarnizione supporto riduttore	Gasket	1
15	17264-01	Corona conica Z19	Bevel gear Z19	1
16	2226207	Cuscinetto 6207 2RS	Bearing 6207 2RS	1
17	3645200010	Rosetta schnorr Ø10	Washer schnorr Ø10	4
18	3021110025	Vite TE M10x25 UNI 5739	Screw M10x25 UNI 5739	4
19	10064-11	Prolunga trasmissione BH/100 decentrata	Transmission extension BH/100	1
19	10064-12	Prolunga trasmissione BH/120	Transmission extension BH/120	1
19	10064-13	Prolunga trasmissione BH/145	Transmission extension BH/145	1
20	4701705	Ruota dentata Z13	Driving gear Z13	1
21	2106207	Cuscinetto 6207	Bearing 6207	1
22	12064-11	Albero corona BH/100 decentrata	Shaft BH/100	1
22	12064-12	Albero corona BH/120	Shaft BH/120	1
22	12064-13	Albero corona BH/145	Shaft BH/145	1
23	8878005	Kit coppia conica	Beve gear kit	1

Type: FRESATRICE/TILLER
Mod.: BH/100•120•145
Rev.: 00/2015
Drw.: 04



Type: FRESATRICE/TILLER

Mod.: BH/100•120•145

Rev.: 00/2015

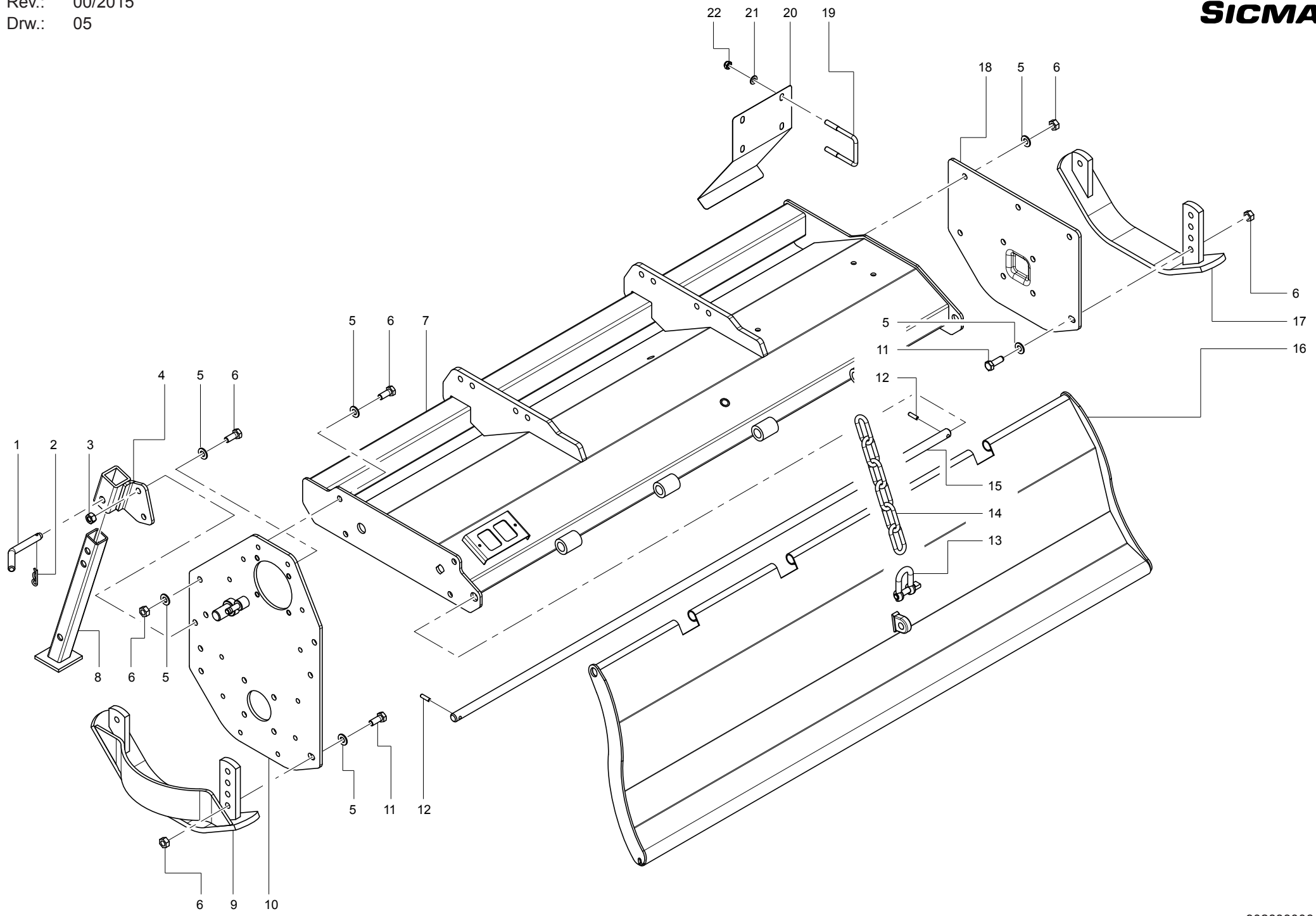
Tab.: 04



Pag.: 1/2

RIF	CODICE	DESCRIZIONE	DESCRIPTION	Qt
1	3604100010	Rosetta Ø10 UNI 6592	Washer Ø10 UNI 6592	8
2	3464101010	Dado ATB M10 UNI 7473	Self locking nut M10 UNI 7473	8
3	2106207	Cuscinetto 6207	Bearing 6207	2
4	4781622	Guarnizione supporto cuscinetto	Gasket	2
5	4701624	Supporto cuscinetto rotore	Bearing support	2
6	3021110030	Vite TE M10x30 UNI 5739	Screw M10x30 UNI 5739	8
7	6204062	Paraolio 40x62x10 PP DIN 3760 tipo AS	Oil seal 40x62x10 PP DIN 3760 AS type	2
8	4002805	Rotore portazappe BH/100	Rotor BH/100	1
8	4002806	Rotore portazappe BH/120	Rotor BH/120	1
8	4002807	Rotore portazappe BH/145	Rotor BH/145	1
9	4811786	Zappa curva Sx	Lh, blade	-
10	3131112035	Vite TE M12x35 filetto 18mm UNI 5738 PF	Screw M12x35 thread 18mm UNI 5738 PF	-
11	3635100012	Rosetta grower Ø12 FIAT 10188	Washer grower Ø12 FIAT 10188	-
12	3414102012	Dado M12 UNI 5587 PF	Nut M12 UNI 5587 PF	-
13	6320035	Anello elastico x alberi Ø35 UNI 7435-DIN 471	Retaning ring for bores Ø35 UNI 7435-DIN 471	1
14	6560006	Ingrassatore M6x1 UNI 7663 Tipo A	Grease nipple M6x1 UNI 7663 A type	1
15	4811785	Zappa curva Dx	Rh, blade	-
16	4821203	Kit zappe curve (4 z.) BH/100	Blade kit (4 blades) BH/100	8
16	4821203	Kit zappe curve (4 z.) BH/120	Blade kit (4 blades) BH/120	10
16	4821203	Kit zappe curve (4 z.) BH/145, (6 z.) BH/100	Blade kit (4 blades) BH/145, (6 blades) BH/100	12
16	4821203	Kit zappe curve (6 z.) BH/120	Blade kit (6 blades) BH/120	15
16	4821203	Kit zappe curve (6 zappe) BH/145	Blade kit (6 blades) BH/145	18
17	8123500032	Kit 32 viti M12x35+dado+rosetta (4 z.) BH/100	32 screw M12x35+nut+washer (4 b.) BH/100	1
17	8123500040	Kit 40 viti M12x35+dado+rosetta (4 z.) BH/120	40 screw M12x35+nut+washer (4 b.) BH/120	1
17	8123500048	Kit 48 viti M12x35+dado+rosetta (4 z.) BH/145 (6 z.) BH/100	48 screw M12x35+nut+washer (4 b.) BH/145, (6 b.) BH/100	1
17	8123500060	Kit 60 viti M12x35+dado+rosetta (6 z.) BH/120	60 screw M12x35+nut+washer (6 b.) BH/120	1
17	8123500072	Kit 72 viti M12x35+dado+rosetta (6 z.) BH/145	72 screw M12x35+nut+washer (6 b.) BH/145	1

Type: FRESATRICE/TILLER
Mod.: BH/100•120•145
Rev.: 00/2015
Draw.: 05

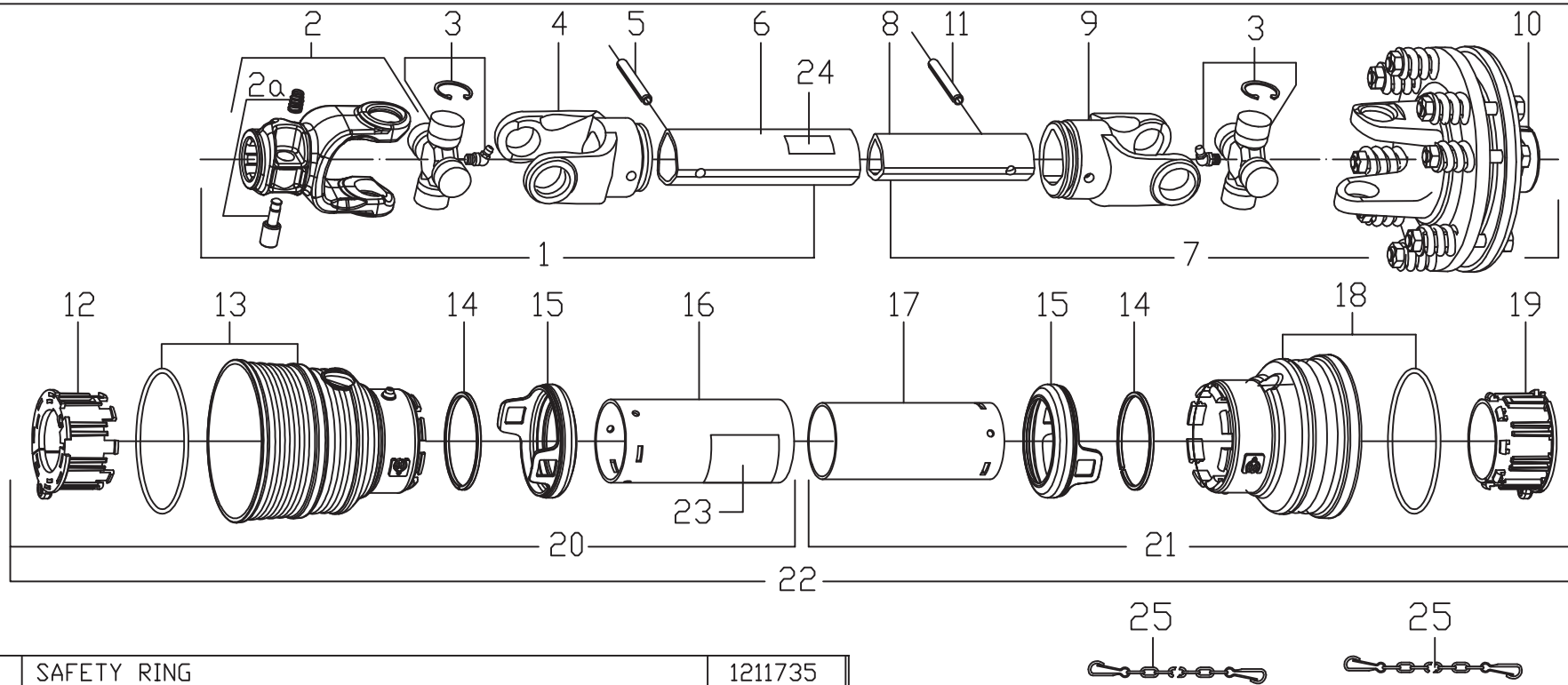


Type: FRESATRICE/TILLER
 Mod.: BH/100•120•145
 Rev.: 00/2015
 Tab.: 05



Pag.: 1/1

RIF	CODICE	DESCRIZIONE	DESCRIPTION	Qt
1	4236115	Perno bloccaggi piedino	Pin for stand leg	1
2	6351003	Coppiglia ad "R" Ø3	Cotter pin Ø3	1
3	3464101010	Dado ATB M10 UNI 7473	Self locking nut M10 UNI 7473	14
4	4001682	Supporto piedino	Stand leg support	1
5	3604100010	Rosetta Ø10 UNI 6592	Washer Ø10 UNI 6592	14
6	3021110025	Vite TE M10x25 UNI 5739	Screw M10x25 UNI 5739	10
7	4002801	Scocca BH/100 decentrata	Frame BH/100 decentrata	1
7	4002802	Scocca BH/120	Frame BH/120	1
7	4002803	Scocca BH/145	Frame BH/145	1
8	4001234	Piedino di appoggio	Stand leg	1
9	4002817	Slitta Sx	Lh, skid	1
10	4001124	Piastra lato trasmissione	Transmission plate	1
11	3021110030	Vite TE M10x30 UNI 5739	Screw M10x30 UNI 5739	4
12	6330620	Spina elastica Ø6x20 UNI 6873	Elastic pin Ø6x20 UNI 6873	2
13	3680010	Grillo Ø10	Hook Ø10	1
14	4508702	Catena USUAL 25 - 10M	Chain USUAL 25 - 10M	1
15	4232801	Perno coperchio BH/100	Bonnet pin BH/100	1
15	4232802	Perno coperchio BH/120	Bonnet pin BH/120	1
15	4232803	Perno coperchio BH/145	Bonnet pin BH/145	1
16	4002811	Coperchio BH/100 decentrata	Bonnet BH/100	1
16	4002812	Coperchio BH/120	Bonnet BH/120	1
16	4002813	Coperchio BH/145	Bonnet BH/145	1
17	4001123	Slitta Dx	Rh, skid	1
18	4931115	Piastra lato esterno	External side plate	1
19	4302002	Cravatta M8	"U" screw M8	4
20	4132225	Protezione anteriore L=125 BH/100	Front protection BH/100	2
20	4132226	Protezione anteriore L=150 BH/120	Front protection BH/120	2
20	4132230	Protezione anteriore L=250 BH/145	Front protection BH/145	2
21	3604100008	Rosetta piana Ø8 UNI 6592	Washer Ø8 UNI 6592	4
22	3444101008	Dado ATB M8 DIN 980	Self locking nut M8 DIN 980	4



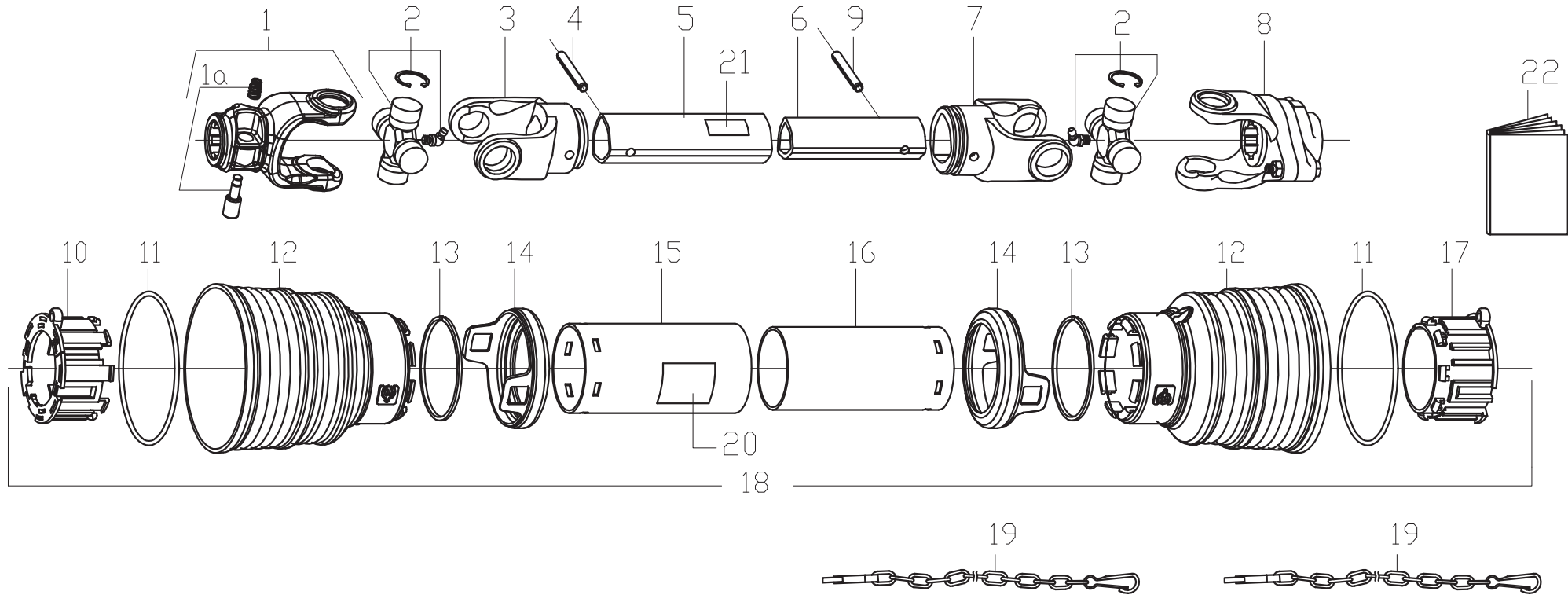
14	2	SAFETY RING	1211735				
13	1	STANDARD CONE	1781703				
12	1	TUBE BEARING (outer tube)	1784710				
11	1	Ø8x60 1485DIN ROLL PIN (inner tube)	6330860				
10	1	TORQUE LIMITER, 2 FRICTION DISCS (FDO)	1334030	25	2	ANTIROTATION CHAIN	1006065
9	1	INNER TUBE YOKE	1704029	24	1	INNER "CE" DECAL	1140011
8	1	INNER TUBE	1525036	23	1	OUTER "CE" DECAL	1140010
7	1	HALF INNER SHAFT	3201401	22	1	COMPLETE PROTECTION	96SE4028
6	1	OUTER TUBE	1524036	21	1	HALF INNER PROTECTION	96XE4028
5	1	Ø8x60 1485DIN ROLL PIN (outer tube)	6330860	20	1	HALF OUTER PROTECTION	96SX4028
4	1	OUTER TUBE YOKE	1704027	19	1	TUBE BEARING (inner tube)	1784711
3	2	CROSS ASSEMBLY	1004020	18	1	EXTRA-SHORT CONE	1781701
2a	1	PUSH PIN KIT	1581038	17	1	INNER TUBE	1872028
2	1	YOKE ASSEMBLY (TRACTOR END)	1024010	16	1	OUTER TUBE	1773028
1	1	HALF OUTER SHAFT	2201401	15	2	SAFETY SLEEVE	1881709

DET.	QTY	DESCRIPTION	CODE	DET.	QTY	DESCRIPTION	CODE
A		Nuova protezione PM14 - (New shield PM14 style)	C.A. 13/05/10 XXXX				
rev.		description	name date R.A.T.				

temporary:	note:	weight [kg/(lb):
XXXXXXXXXX	XXXXXX	XXX.X
customer (part no):	SICMA	
title:	SPARE PARTS LAY OUT	
AX4 500/748	1024010-1334030 CE SE	


EUROCARDAN
 ENERGY ON THE MOVE
 c.da Saletti 66041 Atessa (CH) - Italy

drawn:	date:
A. CAVALLETTI	08/06/2006
scale:	A4
part no:	rev.:
8201401	A



11	2	STIFFENING RING	1211733				
10	1	TUBE BEARING (outer tube)	1784710	22	1	USER MANUAL	1140910A
9	1	8x55 1485DIN ROLL PIN (inner tube)	6330855	21	1	INNER DECAL	1140011
8	1	BOLT LIMITER (LC)	1484003	20	1	OUTER DECAL	1140010
7	1	INNER TUBE YOKE	1704029	19	2	ANTIROTATION CHAIN	1006065
6	1	INNER TUBE	1525038	18	1	COMPLETE PROTECTION	96SS4030
5	1	OUTER TUBE	1524038	17	1	TUBE BEARING (inner tube)	1785711
4	1	8x60 1485DIN ROLL PIN (outer tube)	6330860	16	1	INNER TUBE SHIELD	1872030
3	1	OUTER TUBE YOKE	1704027	15	1	OUTER TUBE SHIELD	1773030
2	2	CROSS ASSEMBLY	1004020	14	2	SAFETY SLEEVE	1885709
1a	1	PUSH PIN KIT	1581038	13	2	STOP RING	1211735
1	1	YOKE ASSEMBLY (TRACTOR END)	1024010	12	2	STANDARD CONE	1781723

DET.	QTY	DESCRIPTION	CODE	DET.	QTY	DESCRIPTION	CODE
A		XXXXXXXXXXXXXXXXXXXXXXXXXXXX	DGV	30/03/22	XXXX		
rev.		description	name	date	R.A.T.		

temporary:	note:	weight [kg/lb]:	drawn:	date:
XXXXXXXXXXXX	XXXXXX	XXX.X	V. DI GIOVANNI	24/03/2015
customer (part no):	SICMA		scale:	A4
title:			part no:	rev:
AX4 520/737 1024010-1484003 CE SS	via Firenze n.25 Z.I. 66041 Atessa (CH) - Italy		EAX45000-0084	-

EUROCARDAN

ENERGY ON THE MOVE

via Firenze n.25 Z.I. 66041 Atessa (CH) - Italy