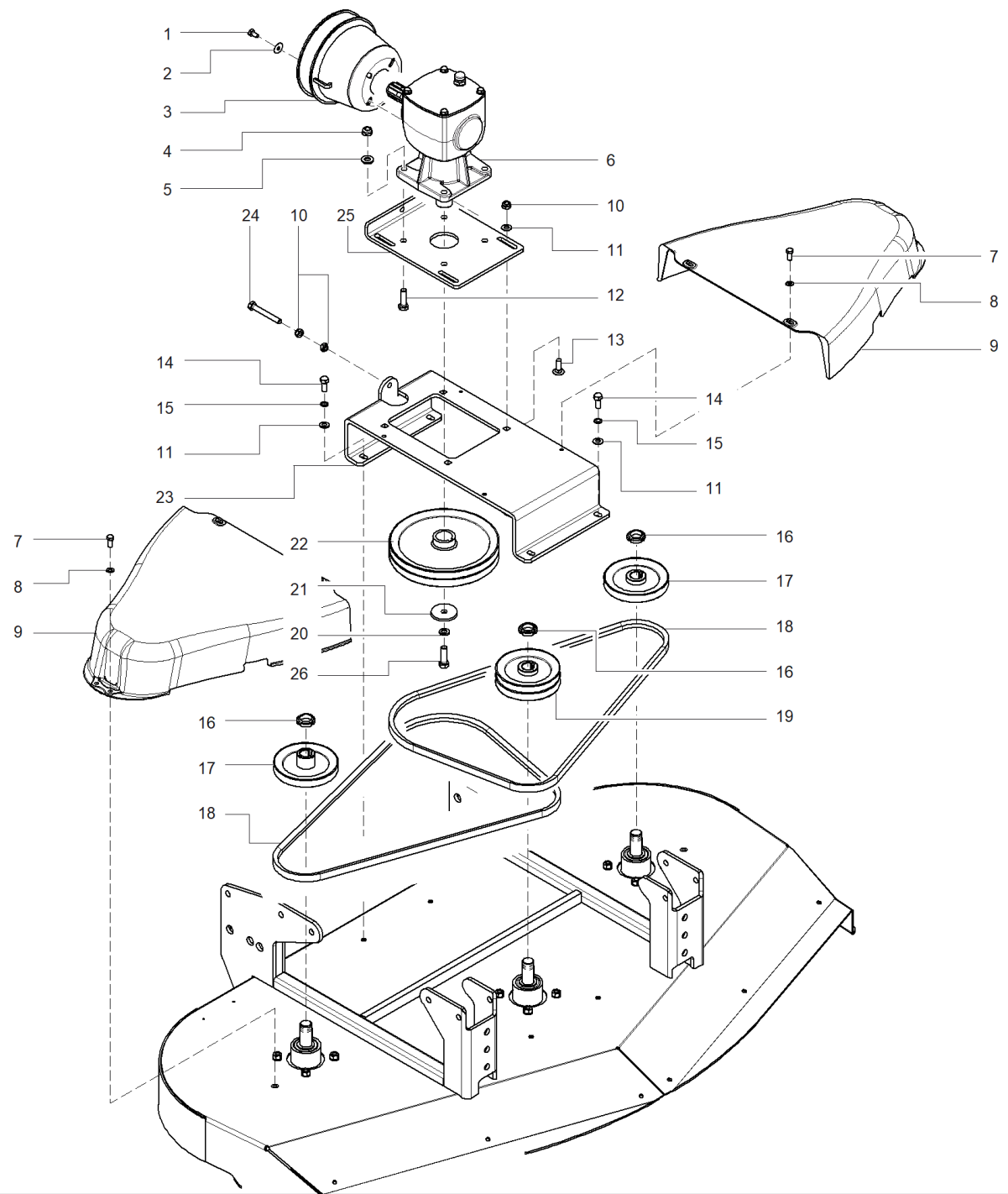


Type: MOWER
Model: FA1200, 1500, 1800
Group: FRAME AND ATTACHMENT TO THE TRACTOR

Code: 902183006
Revision: 07 _18/10/2017 ->
Drawing: 01

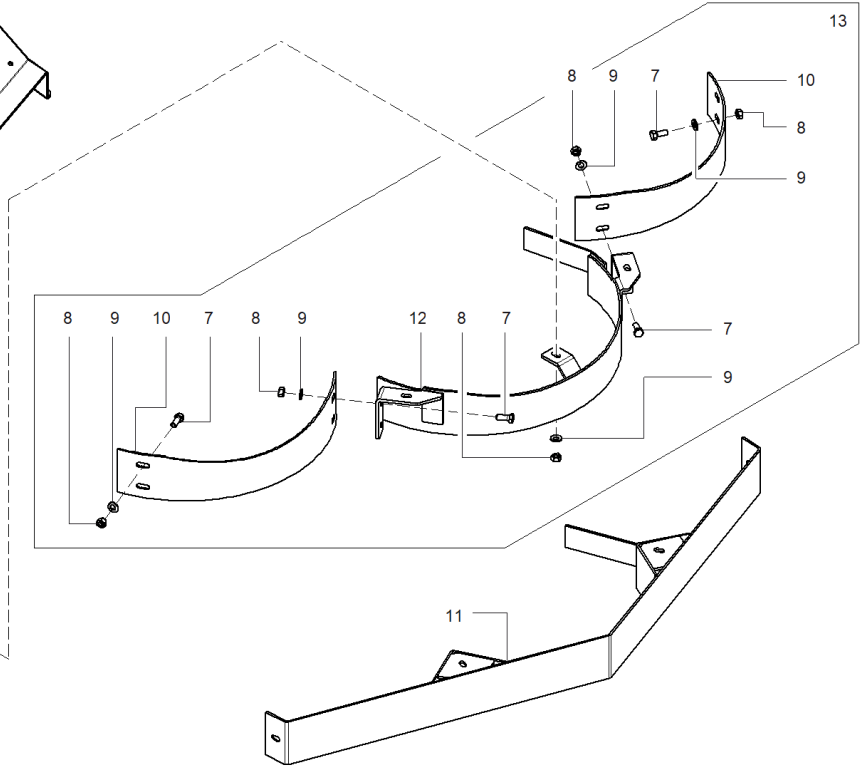
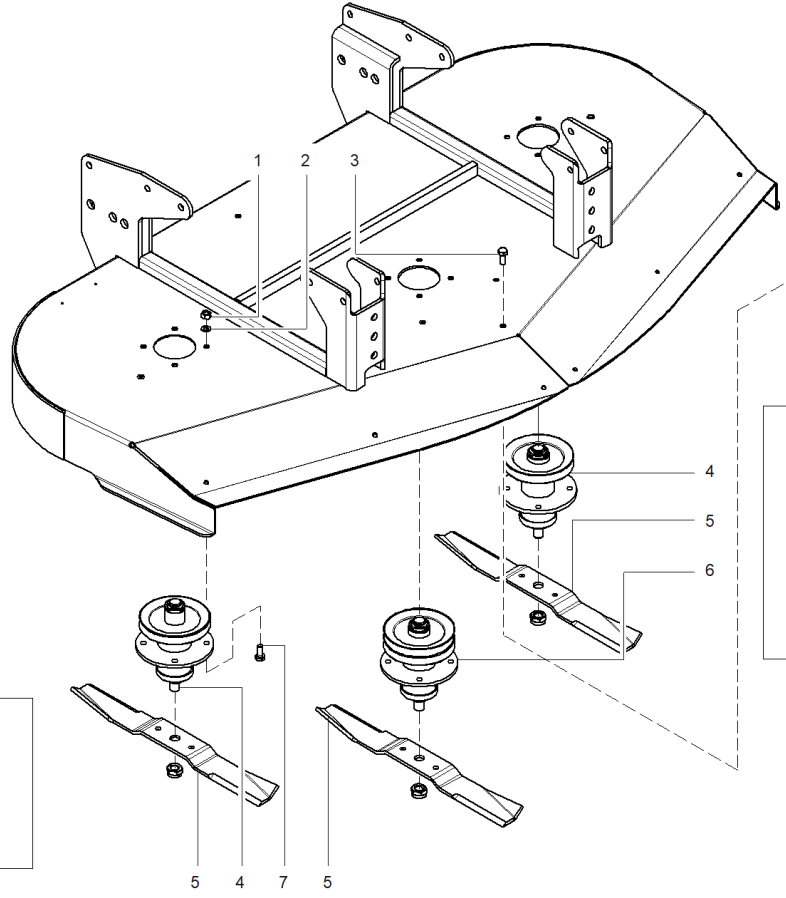
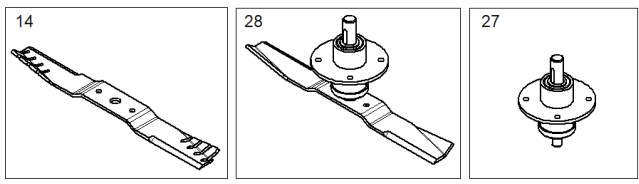
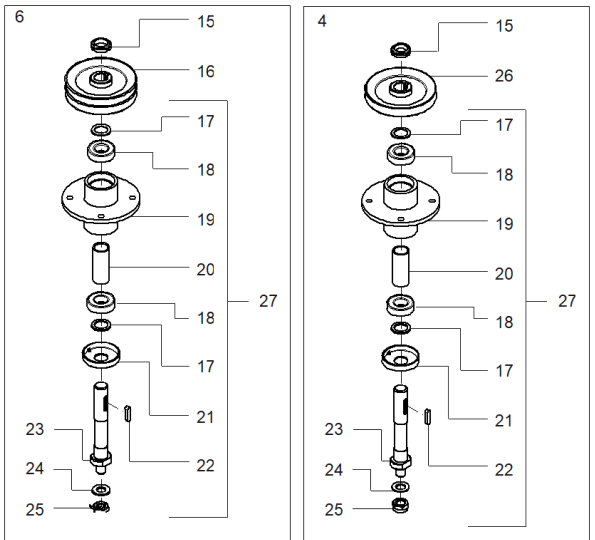
Reference	Part n°	Description	Machine type	Qty
1	4301589	Upper pin		1
2	6350005	Release pin Ø5 DIN 11023		7
3	5832713	Bracket		1
4	5532714	Spacer		1
5	3011112130	Screw M12x130 UNI 5737		1
6	3604100012	Washer Ø12 UNI 6592		2
7	5832714	Coupling arm, 3rd point	FA/1500•1800	2
7	5832720	Coupling arm, 3rd point	FA/1200	2
8	3464101012	Self locking nut M12 UNI 7473		5
9	5832716	Tie-rod arm, 3rd point	FA/1800	2
9	5832717	Tie-rod arm, 3rd point	FA/1800	2
9	5832721	Tie-rod arm, 3rd point	FA/1200	2
10	3021112035	Screw M12x35 UNI 5739		4
11	5002781	Frame	FA/1200	1
11	5002782	Frame	FA/1500	1
11	5002783	Frame	FA/1800	1
11	5012782	Frame (canister)	FA/1500	1
11	5012783	Frame (canister)	FA/1800	1
12	5302704	Pin for arm		4
13	5302705	Pin 3rd lower point		2
14	5002713	Arm, 3rd lower point		2



Type: MOWER
 Model: FA1200, 1500, 1800
 Group: TRANSMISSION

Code: 902183006
 Revision: 07_18/10/2017 ->
 Drawing: 02

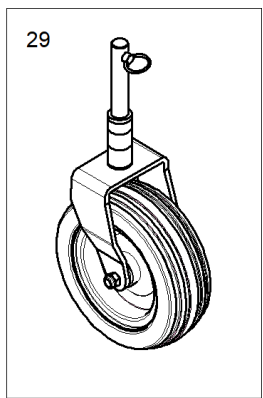
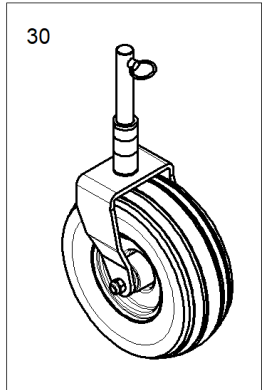
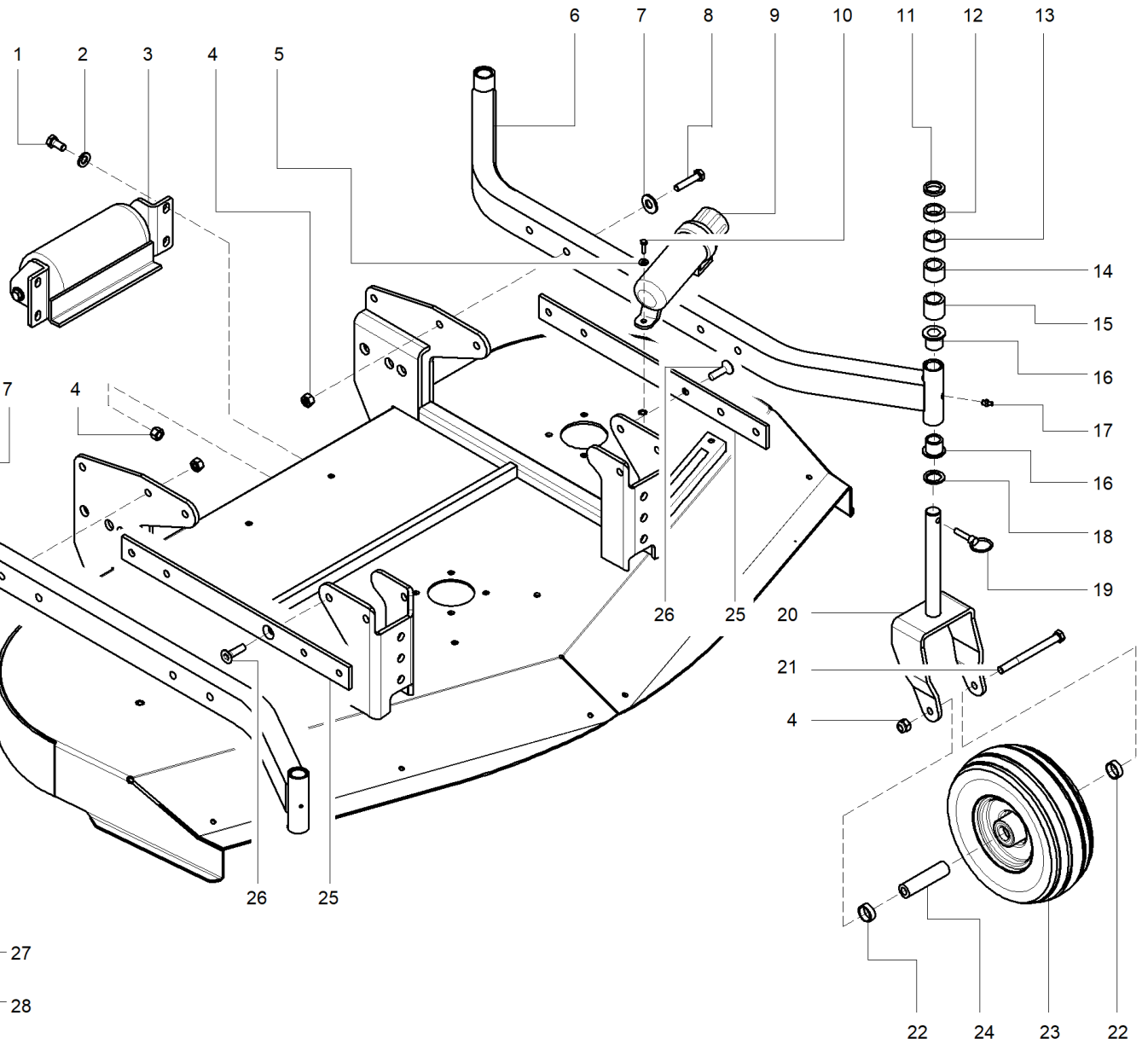
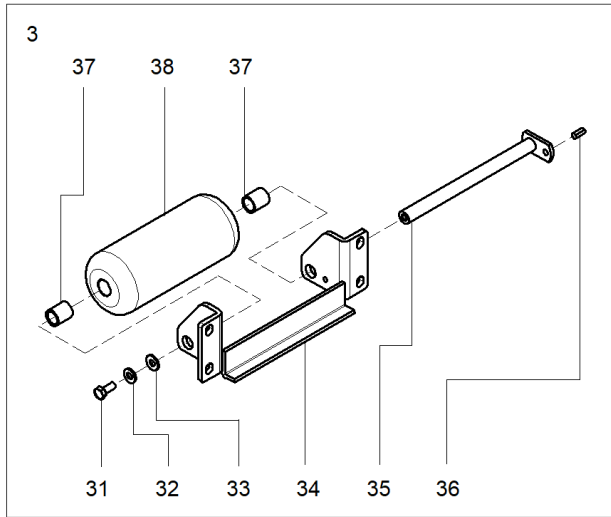
Reference	Part n°	Description	Machine type	Qty
1	3021108016	Screw M8x16 UNI 5739		1
2	3604100008	Washer Ø8 UNI 6592		1
3	1883510	Rear PTO guard		1
4	3474101012	Self-locking nut M12 UNI 7473		1
5	3604100012	Washer Ø12 UNI 6592		1
6	80310-11	Gearbox (540 rpm clockwise)		1
7	3021108020	Screw M8x20 UNI 5739		1
8	3614000008	Large washer Ø8 UNI 6593		1
9	5132800	Steel belt cover	FA/1200	1
9	5782812	Plasti belt cover	FA/1500	1
9	5782813	Plasti belt cover	FA/1800	1
10	3474101010	Self locking nut M10 UNI 7474		1
11	3614000010	Large washer Ø10 UNI 6593		1
12	3011112040	Screw M12x40 UNI 5737		1
13	3096110030	Cup head aquare neck bolt with large head M12x30 UNI 5731		1
14	3021110025	Screw M10x25 UNI 5739		1
15	3645200010	Washer schnorr Ø10		1
16	3514201025	Self-locking ring M25X1.5		1
17	5002696	Secondary pulley SPB Dp.130	FA/1500•1800	1
17	5002698	Secondary pulley SPB Dp.110	FA/1200	1
18	6722057	Belt B-57	FA/1200	1
18	6722068	Belt B68	FA/1500	1
18	6722074	Belt B74	FA/1800	1
19	5002695	Central pulley SPB110	FA/1500•1800	1
19	5002697	Central pulley SPB110	FA/1200	1
20	3645200012	Washer schnorr Ø12		1
21	3614000012	Large washer Ø12 UN I6593		1
22	5002693	Central pulley Ø190	FA/1800	1
22	5002694	Primary pulley	FA/1200•1500	1
23	5932805	Gearbox support	FA/1200	1
23	5932806	Gearbox support	FA/1500	1
23	5932807	Gearbox support	FA/1800	1
24	3021110080	Screw M10x80 UNI 5739		1
25	5932707	Belt-tensioning plate		1
26	3021112040	Screw M12x40 UNI 5739		1



Type: MOWER
 Model: FA1200, 1500, 1800
 Group: TOOLS AND THEIR SUPPORTS

Code: 902183006
 Revision: 07_18/10/2017 ->
 Drawing: 03

Reference	Part n°	Description	Machine type	Qty
1	3414101010	Nut M10 UNI 5587		12
2	3645200010	Washer schnorr Ø10		12
3	3021110020	Screw M10x20 UNI 5739		3
4	8180088	Side blade suppoert kit	FA/1200	2
4	8180089	Side blade suppoert kit	FA/1500	2
4	8180090	Side blade suppoert kit	FA/1800	2
5	5812701	Blade 60x6	FA/1200	3
5	5812702	Blade 60x6	FA/1500	3
5	5812703	Blade 60x6	FA/1800	3
6	8180084	Central blade suppoert kit	FA/1200	1
6	8180085	Central blade suppoert kit	FA/1500	1
6	8180086	Central blade suppoert kit	FA/1800	1
7	3021110025	Screw M10x25 UNI 5739		20
8	3464101010	Self locking nut M10 UNI 7473		11
9	3614000010	Large washer Ø10 UNI 6593		18
10	5132622	Rh - Lh, locking plate	FA/1500	2
10	5132647	Rh - Lh, locking plate	FA/1800	2
11	5002689	Bulkhead (MULCHING)	FA/1200	1
12	5002690	Centrale, locking plate	FA/1500	1
12	5002691	Centrale, locking plate	FA/1800	1
13	8180046	Plates kit (MULCHING)	FA/1500	1
13	8180047	Plates kit (MULCHING)	FA/1800	1
14	5812712	MULCHING blade	FA/1200	3
14	5812713	MULCHING blade	FA/1500	3
14	5812714	MULCHING blade	FA/1800	3
15	3514201025	Self-locking ring M25X1.5		3
16	5002695	Central pulley SPB110	FA/1500•1800	1
16	5002697	Central pulley SPB110	FA/1200	1
17	5132731	Spacer Ø36xØ25,5 SP 2,5		6
18	2226205	Bearing 6205 2RS		6
19	5002714	Blades support hub		3
20	5532705	Bearings spacer		3
21	5142701	Cover		3
22	6360835	Key 8x35x7 UNI 6604		3
23	5202701	Shaft for blade		3
24	3645200018	Washer schnorr Ø18		3
25	3474101018	Self locking nut M18 UNI 7474		3
26	5002696	Secondary pulley SPB Dp.130	FA/1500•1800	2
26	5002698	Secondary pulley SPB Dp.110	FA/1200	2
27	8180042	Kit blade support		3
28	5002807	Blade fixing kit	FA/1200	3
28	5002808	Blade fixing kit	FA/1500	3
28	5002809	Blade fixing kit	FA/1800	3



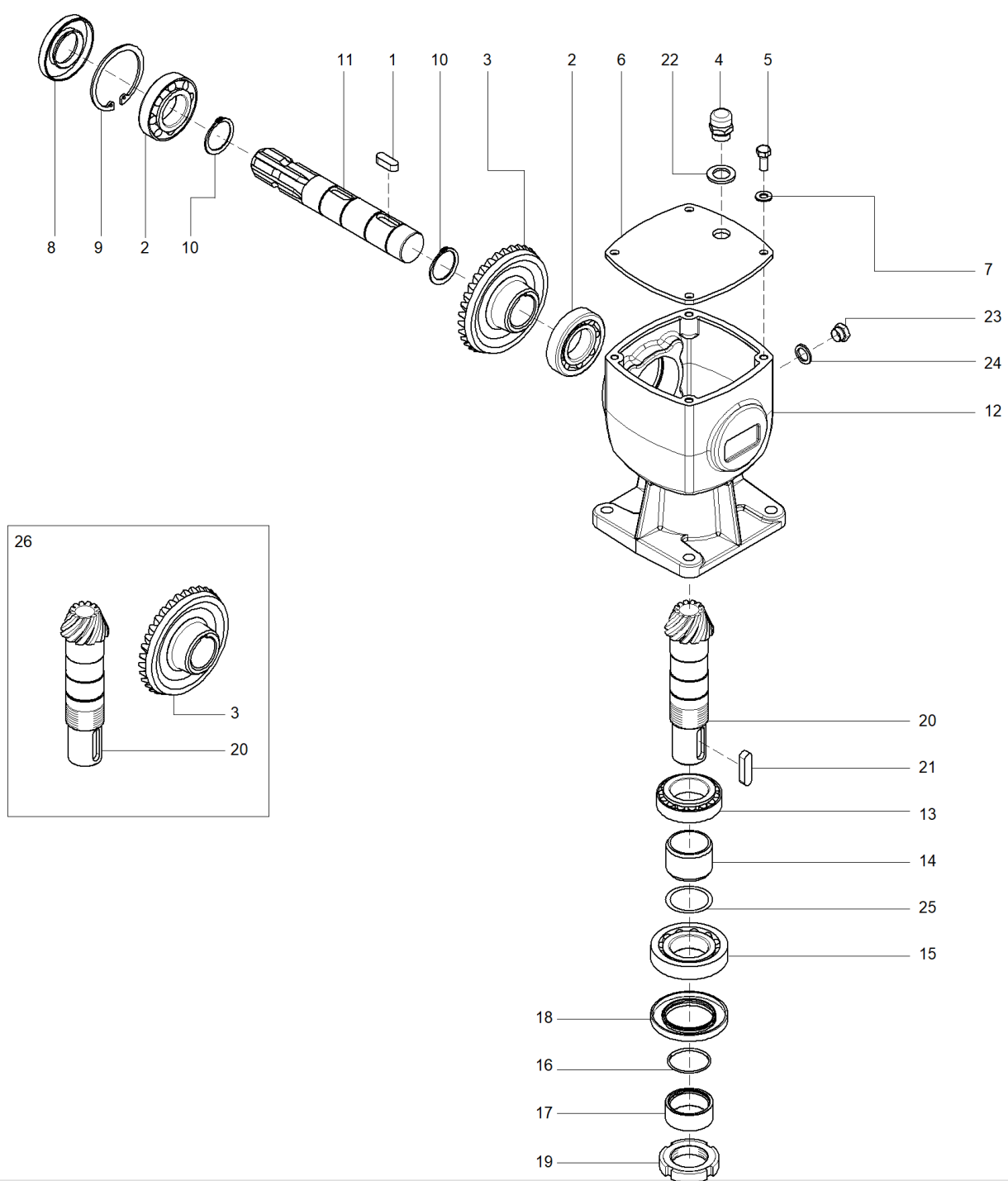
Type: MOWER
 Model: FA1200, 1500, 1800
 Group: CANISTER, WHEELS AND SUPPORTS

Code: 902183006
 Revision: 07_18/10/2017 ->
 Drawing: 04

Type: MOWER
 Model: FA1200, 1500, 1800
 Group: CANISTER, WHEELS AND SUPPORTS

Code: 902183006
 Revision: 07_18/10/2017 ->
 Drawing: 04

Reference	Part n°	Description	Machine type	Qty
1	3021112040	Screw M12x40 UNI 5739		4
2	3614000012	Large washer Ø12 UN I6593		4
3	8110021	Front roller kit		1
4	3464101012	Self locking nut M12 UNI 7473		12
5	3614100006	Large washer Ø6 UNI 6593		2
6	5002786	Wheel holding arm	FA/1200•1500	2
6	5002787	Wheel holding arm	FA/1800	2
7	3614100012	Large washer Ø12 UNI 6593		8
8	3011112080	Screw M12x80 UNI 5737		8
9	6601601	Canister		1
10	3011106016	Screw M6x16 UNI 5737		2
11	5532709	Spacer H6 mm		4
12	5532708	Spacer H12.5 mm		4
13	5532704	Spacer H16 mm		4
14	5532707	Spacer, height 25 mm		4
15	5532706	Spacer, height 32 mm		4
16	5782790	IGLIDUR bearing		8
17	6560008	Grease nipple M8 UNI7663		4
18	5132731	Spacer Ø36xØ25,5 SP 2,5		4
19	6332056	Split pin Ø8 L52		4
20	5002719	Wheel fork		4
21	3011112130	Screw M12x130 UNI 5737		4
22	5532713	Spacer		8
23	6611405	Pneumatic wheel 11x4.00-5		4
24	5532712	Wheel fixing tube		4
25	5832753	Adapte plate	FA/1200	2
26	3062212035	Hexagon socket countersunk head cap screw M12x35 UNI 5933-10.9		2
27	5532716	Wheel spacer H25		8
28	6602738	Plastic wheel Ø250x85		4
29	5002737	Plastic eheel kit		4
30	5002730	Wheel kit		4
31	3021110025	Screw M10x25 UNI 5739		1
32	3625000010	Spring lock washer Ø10 UNI 1751		1
33	3614000010	Large washer Ø10 UNI 6593		1
34	5002707	Roller support		1
35	5002708	Pin		1
36	6330814	Elastic pin Ø8x14 UNI 6873		4
37	5782789	Bearing		2
38	5782780	Roller		1



Type: MOWER Code: 902183006
 Model: FA1200, 1500, 1800 Revision: 07_18/10/2017 ->
 Group: MULTIPLIER GROUP CLOCKWIS ROTATIORN 540 Rpm Drawing: 05

Reference	Part n°	Description	Machine type	Qty
1	6361030	Parallel key 10X30X8 UNI 6604		1
2	2730207	Bearing 30207		2
3	17210-04	Bevel gear Z34		1
4	3442018	Pressure relief plug M18		1
5	3021108020	Screw M8x20 UNI 5739		4
6	11310-01	Cover		1
7	3645200008	Washer schnorr Ø8		4
8	6203572	Oil seal 35x72x10 PP DIN 3760 AS type		1
9	6310072	Retaning ring for bores Ø72 UNI 7437 - DIN 472		1
10	6320035	Retaining ring for shafts Ø35 UNI 7435 - DIN 471		2
11	12010-08	Ring shaft		1
12	16510-10	Gearbox		1
13	2732008	Bearing 32008		1
14	15910-02	Bearing spacer		1
15	2730208	Bearing 30208		1
16	6800129	O-ring seal 129 - 39,34x2,62		1
17	15910-03	Spacer		1
18	6205080	Oil seal 50x80x10 PP DIN 3760 AS type		1
19	3514201040	Locking nut KM M40x1.5 DIN981		1
20	17210-05	Bevell pinion Z12		1
21	6361040	Parallel key 10X40X8 UNI 6604		1
22	6470118	Seal washer Ø18		1
23	3444014	Level oil plug M14		1
24	6470114	Seal washer Ø14		1
25	6014002	Spacer 40x52x0.2		2
26	80310-16	Bevel gears kit		1