

Machine type: TILLER

Model: SPR

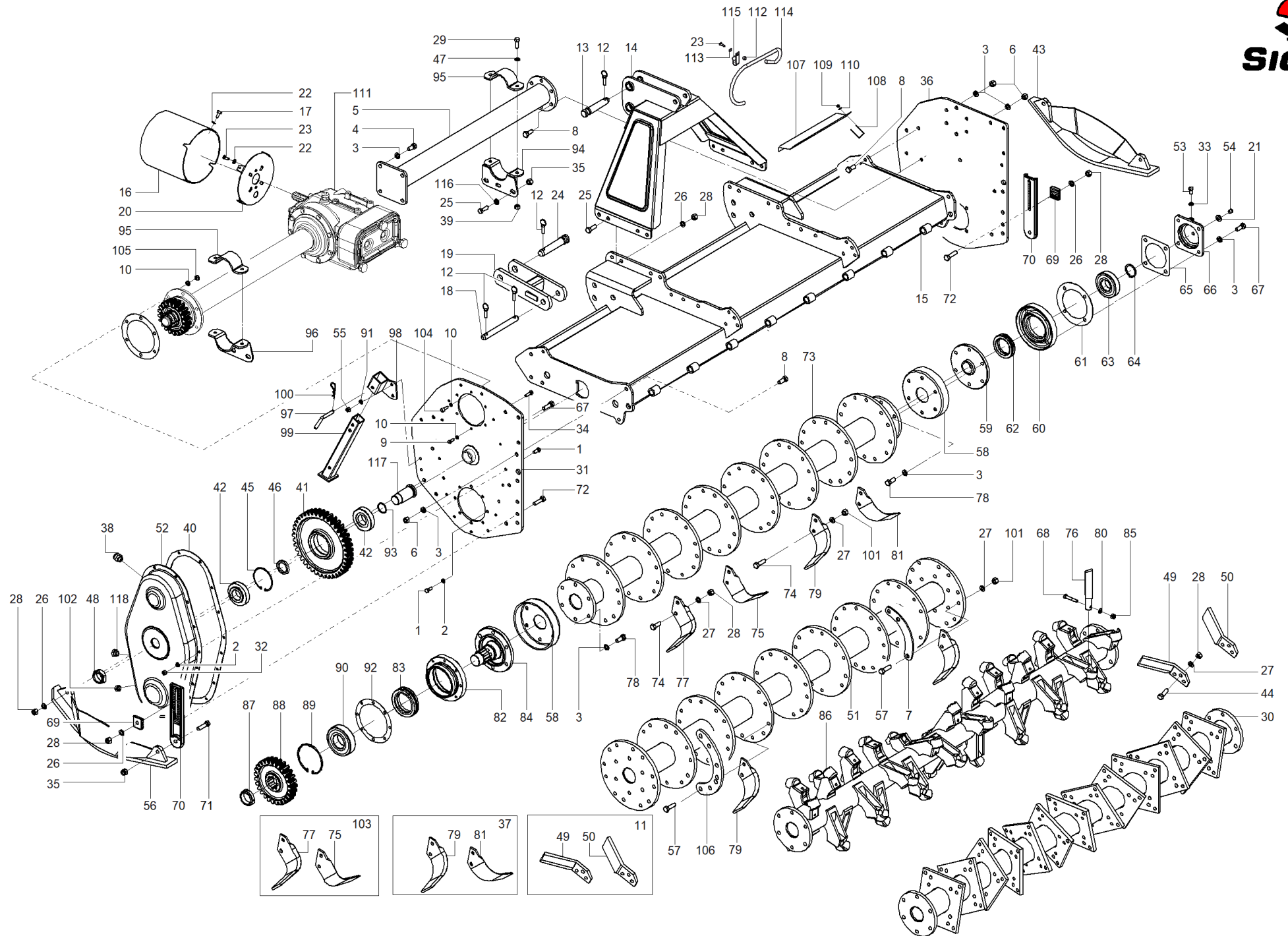
Group: TILLER

Document ID: 902423003

Revision: 11\_01/10/2019 - 22/03/2021

Table: 01

Reference	P/N	Description	Model #	Quantity
1	3021110025	Screw UNI5739 8.8 M10x25 galvanised (coarse pitch)		25
2	3625000010	Grower washer DIN1751 C70 Øi10		25
3	3625000014	Grower Washer Ø14 UNI1751		32
4	3021114030	Screw UNI5739 8.8 M14x30 galvanised (coarse pitch)		4
5	4004360	SP160 external support	SP/160	1
5	4004361	SP185 external support	SP/185	1
5	4004362	SP210 external support	SP/210	1
5	4004363	SP235 external support	SP/235	1
5	4004364	SP260 external support	SP/260	1
5	4004365	Offset SP160 external support	SP/160, dec.	1
5	4004366	Offset SP185 external support	SP/185, dec.	1
6	3414102014	UNI5587 M14 coarse pitch zinc plated nut		12
7	4934023	External counterflange (closed rotor)		4
8	3041114035	Screw UNI5740 8.8 M14x35 galvanised (coarse pitch)		18
9	3021112025	Screw UNI5739 8.8 M12x25 galvanised (coarse pitch)		6
10	3625000012	Grower washer DIN1751 C70 Øi12		12
11	4824003	Kit blades 3 holes SPR/RG	SP/160	18
11	4824003	Kit blades 3 holes SPR/RG	SP/185	22
11	4824003	Kit blades 3 holes SPR/RG	SP/210	26
11	4824003	Kit blades 3 holes SPR/RG	SP/235	28
11	4824003	Kit blades 3 holes SPR/RG	SP/260	32
12	6350010	Snap pin DIN11023 D10 galvanised		11
13	5304435	SPR/TRG/TR 3rd point pin Ø25		1
14	4004297	SP top quick -hitch frame		1
15	4094272	SP210 gear frame	SP/210, dec.	1
15	4094273	SP235 gear frame	SP/235, dec.	1
15	4094274	SP260 gear frame	SP/260, dec.	1
15	4104260	Frame	SP/160	1
15	4104261	Frame	SP/185	1
15	4104262	Frame	SP/210	1
15	4104263	Frame	SP/235	1
15	4104264	Frame	SP/260	1
15	4104265	Frame	SP/160, dec.	1
15	4104266	Frame	SP/185, dec.	1
16	6654241	Ø240 L=230 cone		1
17	3021108020	Screw UNI5739 8.8 M8x20 galvanised (coarse pitch)		4
18	4304202	SPR quick hitch swing boom regulating pin		4
19	4004298	SP quick coupling lower 3rd point swing boom		2
20	4934240	VP/H/SP/RG protection support		1
21	6470114	Washer M14 (Al/Cu)		1
22	3614000008	Wide washer UNI6593 100Hv Øi08		8
23	3021108016	Screw UNI5739 8.8 M8x16 galvanised (coarse pitch)		4
24	5304434	SPR/TRG 3rd point pin Ø28		2
25	3041114040	Screw UNI5740 8.8 M14x40 galvanised (fine pitch)		14
26	3625000014	Grower Washer Ø14 UNI1751		10
27	3635100014	Grower washer Fiat 10188 C70 Øi14 zinc plated		0
28	3414102014	UNI5587 M14 coarse pitch zinc plated nut		0
29	3021112035	Screw UNI5739 8.8 M12x35 galvanised (coarse pitch)		4
30	4004385	SP160 rotor for blades	SP/160	1
30	4004386	SP185 rotor for blades	SP/185	1
30	4004387	SP210 rotor for blades	SP/210	1
30	4004388	SP235 rotor for blades	SP/235	1
30	4004389	SP260 rotor for blades	SP/260	1
31	4004914	SPR transmission side plate unit		1
32	3414101010	UNI5587 M10 (coarse pitch) zinc plated nut		17
33	6470112	Washer M12 (Al/Cu)		1
34	3021110030	Screw UNI5739 8.8 M10x30 galvanised (coarse pitch)		2
35	3464102014	UNI7473 (fine pitch) M14 zinc plated nut		10
36	4934322	External side plate		1
37	4824006	Kit curve hoes with Htite® coating	SP/160	18



Machine type: TILLER

Model: SPR

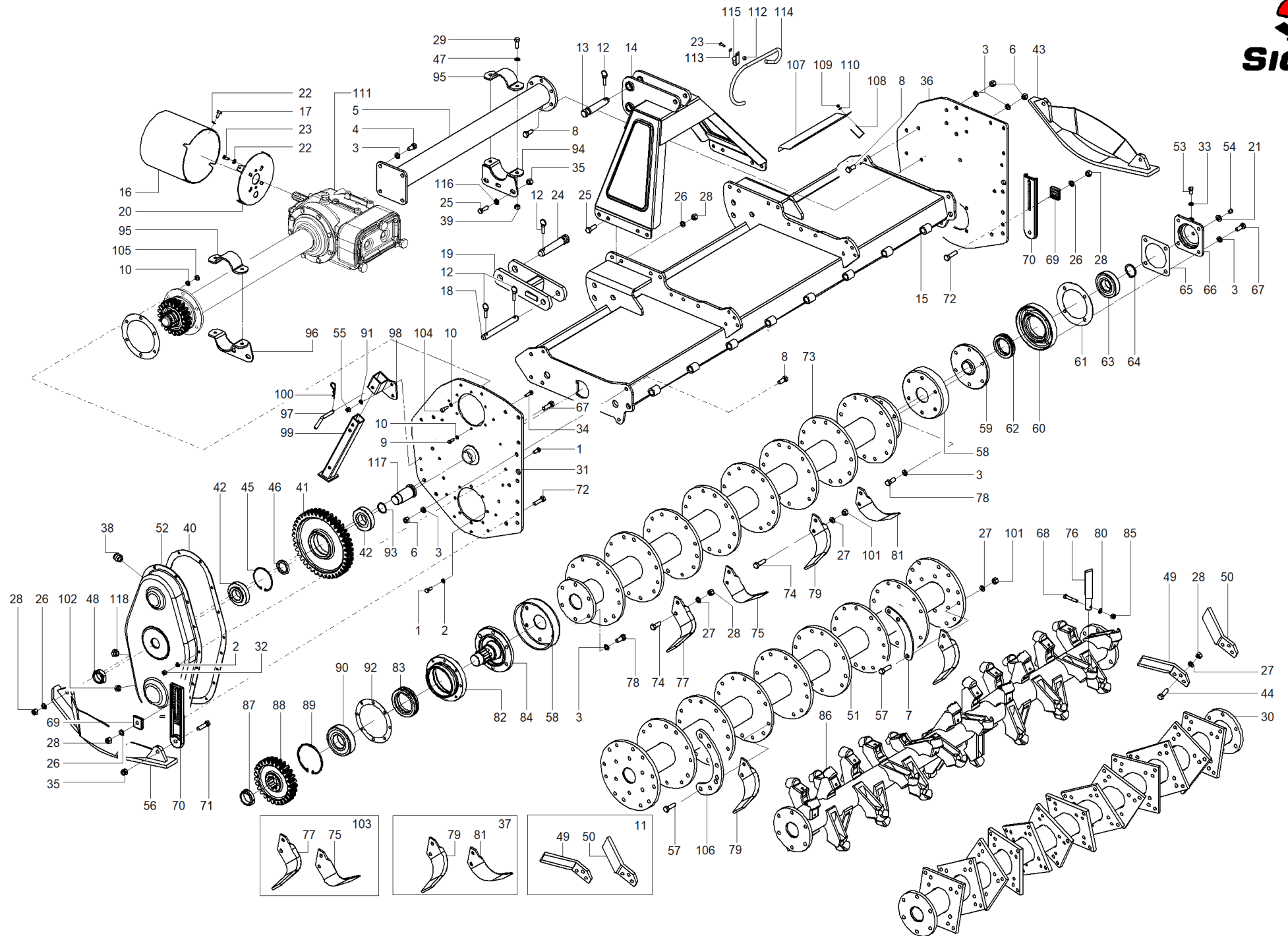
Group: TILLER

Document ID: 902423003

Revision: 11\_01/10/2019 - 22/03/2021

Table: 01

Reference	P/N	Description	Model #	Quantity
37	4824006	Kit curve hoes with Htite® coating	SP/210	24
37	4824006	Kit curve hoes with Htite® coating	SP/235	27
37	4824006	Kit curve hoes with Htite® coating	SP/260	30
37	4824006	Kit curve hoes with Htite® coating	SP/185	21
37	4824501	SPR curved hoes kit (1x Rh + 1x Lh)	SP/235	27
37	4824501	SPR curved hoes kit (1x Rh + 1x Lh)	SP/210	24
37	4824501	SPR curved hoes kit (1x Rh + 1x Lh)	SP/160	18
37	4824501	SPR curved hoes kit (1x Rh + 1x Lh)	SP/185	21
37	4824501	SPR curved hoes kit (1x Rh + 1x Lh)	SP/260	30
38	3442022	M22x1.5 valve cap		1
39	3464101012	UNI7473 (coarse pitch) M12 zinc plated nut		4
40	4784801	SPR transmission lid seal		1
41	4724887	SPR idler gear		1
42	2830309A	Bearing 30309		2
43	4004431	SP external side slide		1
44	3131114045	Tines screw M14x45 8.8 fil.20 galvanised (fine pitch)		0
45	6310100	Elastic ring Ø100 UNI7437 DIN472		1
46	4594230	SP transmission gear bearing spacer		1
47	3604100012	Flat washer UNI6592 140Hv Øi12 galvanised		4
48	3474102033	UNI7474 Hmax 26mm fine pitch M33 zinc plated nut		1
49	4814515	RG/Rh/RSP knives (3 holes)		0
50	4814514	RG/Rh/RSP knives (3 holes)		0
51	4004835	SPR160 closed rotor	SP/160	1
51	4004836	SPR185 closed rotor	SP/185	1
51	4004837	SPR210 closed rotor	SP/210	1
51	4004838	SPR235 closed rotor	SP/235	1
51	4004839	SPR260 closed rotor	SP/260	1
52	4004804	SPR gear side crankcase		1
53	3021110016	Screw TE M10x16 UNI5739		1
54	3444014	M14x1.5 porthole cap with washer 6470114		1
55	3414101010	UNI5587 M10 (coarse pitch) zinc plated nut		2
56	4004430	SP transmission side slide		1
57	3032114050	UNI5738 screw, 10.9 M14x50 zinc plated (fine pitch)		0
58	4144201	SP rotor dust cover lid		1
59	4704006	SP/RG external side hub		1
60	4644005	SP/RG/H-2H external support		1
61	4784117	SPR bearing support seal		1
62	6203911	GNL IN6460 oil seal		1
63	2006310A	Bearing 6310		1
64	6320050	Elastic ring Ø50 UNI7435 DIN471		1
65	4784118	SPR support lid seal		1
66	4644001	SP/RG external support lid		1
67	3021114045	Screw UNI5739 8.8 M14x45 galvanised (coarse pitch)		8
68	3011110060	Screw UNI5737 8.8 M10x060 galvanised (coarse pitch)		0
69	4704654	SP/RG regulation rod plate		2
70	4704653	SP/RG slide regulating rod		2
71	3031114055	Screw TE M14x55 UNI5738 fine pitch		2
72	3031114050	Screw UNI5738 8.8 M14x50 galvanised (fine pitch)		2
73	4004830	SPR160 rotor	SP/160	1
73	4004831	SPR185 rotor	SP/185	1
73	4004832	SPR210 rotor	SP/210	1
73	4004833	SPR235 rotor	SP/235	1
73	4004834	SPR260 rotor	SP/260	1
74	3131114040	Tines screw M14x40 8.8 fil.20 galvanised (fine pitch)		0
75	4814517	SPR squared hoe		0
76	4844006	30x30 RG/SPR square tooth		0
77	4814516	SPR squared hoe		0
78	3022114035	Screw M14x35 UNI 5739-10.9		12
79	4814007	RG Htite® curved hoe		0
79	4814518	SPR curved hoe		0





Machine type: TILLER

Model: SPR

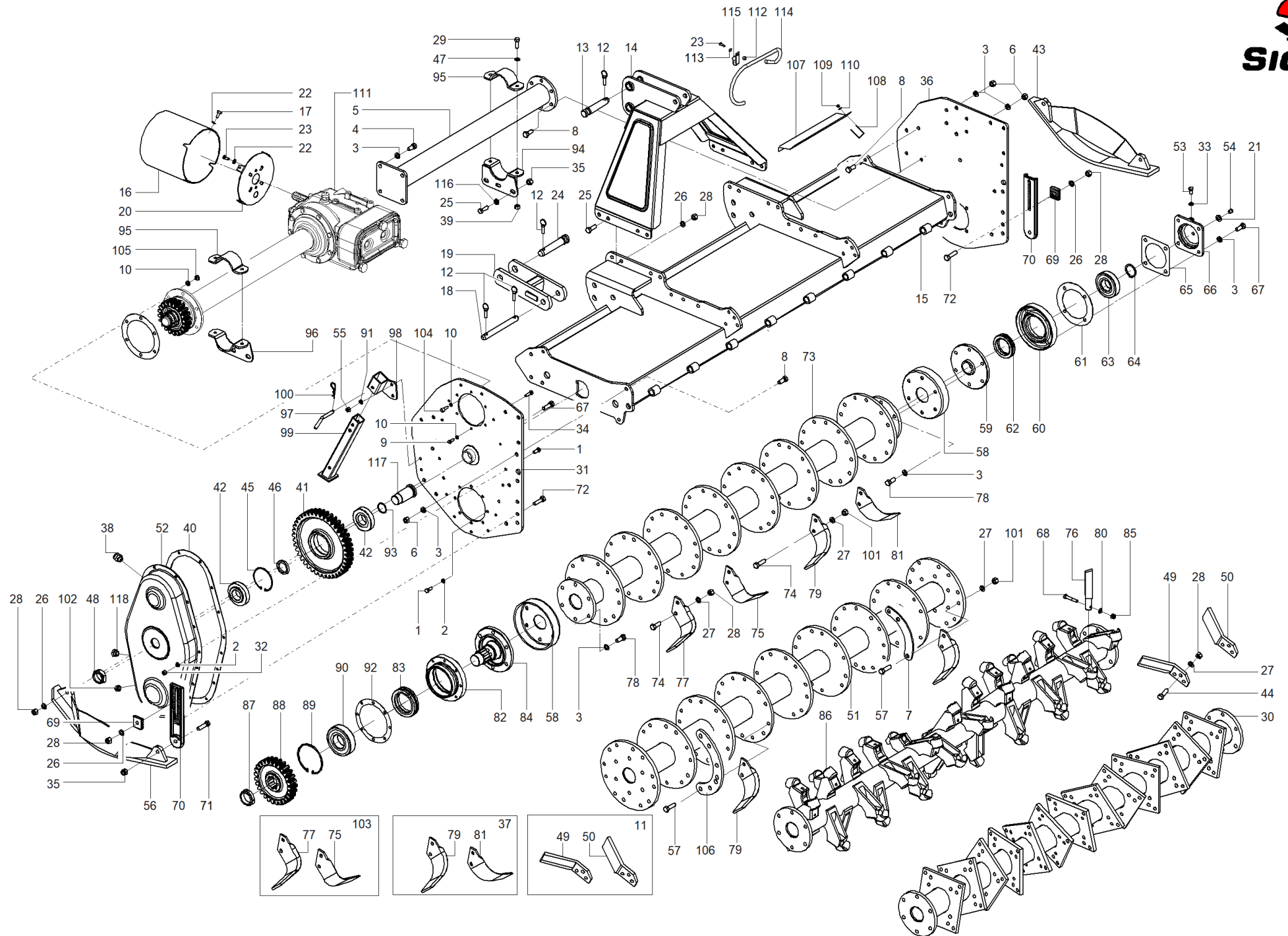
Group: TILLER

Document ID: 902423003

Revision: 11\_01/10/2019 - 22/03/2021

Table: 01

Reference	P/N	Description	Model #	Quantity
80	3604100010	Flat washer UNI6592 140Hv Øi10 galvanised		0
81	4814006	RG Htiite® curved hoe		0
81	4814519	SPR curved hoe		0
82	4704009	SP/RG driven gear support		1
83	6200750	GNL FT750 oil seal		1
84	4724008	SP/RG driven gear hub		1
85	3464101010	UNI7473 (coarse pitch) M10 zinc plated nut		0
86	4004393	SP210 rotor for teeth	SP/210	1
86	4004394	SP235 rotor for teeth	SP/235	1
86	4004395	SP260 rotor for teeth	SP/260	1
87	34127050	50x1.5 high self-locking ring		1
88	4724888	SPR driven gear		1
89	6310130	Elastic ring Ø130 UNI7437 DIN472		1
90	2821312A	Bearing 21312		1
91	3625100010	Grower washer DIN1751 C70 Øi10 zinc plated		2
92	4784635	Driven gear support seal		1
93	6836220	O-ring 136 2.62x50.47		1
94	4004530	SP right extension fastening support		1
95	4834518	SP flat tie		2
96	4004529	SP left extension fastening support		1
97	4236115	SA/SB/CS/ZLL/RM foot locking pin		1
98	4002377	Foot support		1
99	4002376	Support foot		1
100	6351003	Split pin Ad R Ø3 galvanised		1
101	3415102014	UNI 5587 Cl.10 M14 (fine pitch) nut		0
102	3441014	14X1.5 conical cap (hexagon head)		1
103	4824502	SPR squared hoes kit (1x Rh + 1x Lh)	SP/260	30
103	4824502	SPR squared hoes kit (1x Rh + 1x Lh)	SP/235	27
103	4824502	SPR squared hoes kit (1x Rh + 1x Lh)	SP/210	24
103	4824502	SPR squared hoes kit (1x Rh + 1x Lh)	SP/160	18
103	4824502	SPR squared hoes kit (1x Rh + 1x Lh)	SP/185	21
104	3051112025	Screw UNI5931 8.8 M12x25 galvanised (coarse pitch)		3
105	3464101012	UNI7473 (coarse pitch) M12 zinc plated nut		6
106	4934255	SPR/RG 3-hoe counterflange equidistant holes	SP/185 standard	14
106	4934255	SPR/RG 3-hoe counterflange equidistant holes	SP/210 standard	16
106	4934255	SPR/RG 3-hoe counterflange equidistant holes	SP/235 standard	18
106	4934255	SPR/RG 3-hoe counterflange equidistant holes	SP/260 standard	20
106	4934255	SPR/RG 3-hoe counterflange equidistant holes	SP/160 Puglia	10
106	4934255	SPR/RG 3-hoe counterflange equidistant holes	SP/160 standard	12
106	4934255	SPR/RG 3-hoe counterflange equidistant holes	SP/260 Puglia	18
106	4934255	SPR/RG 3-hoe counterflange equidistant holes	SP/235 Puglia	16
106	4934255	SPR/RG 3-hoe counterflange equidistant holes	SP/210 Puglia	14
106	4934255	SPR/RG 3-hoe counterflange equidistant holes	SP/185 Puglia	12
107	4134278	CE Guard	SP/160	2
107	4134279	CE Guard	SP/185	2
107	4134280	CE Guard	SP/210	2
107	4134281	CE Guard	SP/235	2
107	4134283	CE Guard	SP/260	2
108	4302004	Tie		4
109	3444101008	DIN980 self-locking M8 (coarse pitch) 8 zinc plated nut		8
110	3604100008	Flat washer UNI6592 140Hv Øi08 galvanised		8
111	8423320	Kit gearbox + extension SPR160/185 offset @540 rpm	SPR/160•185 Dec. - 540rpm	1
111	8423321	Kit gearbox + extension SPR185 @540 rpm	SPR/185 - 540rpm	1
111	8423322	Kit gearbox + extension SPR210 @540 rpm	SPR/210 - 540rpm	1
111	8423324	Kit gearbox + extension SPR260 @540 rpm 1 3/4"	SPR/260 -1"3/4 - 540rpm	1
111	8423325	Kit gearbox + extension SPR235 @540 rpm 1 3/4"	SPR/235 - 1"3/4 - 540rpm	1
111	8423326	Kit gearbox + extension SPR160 offset @540 rpm	SPR/160 Dec. - 540rpm	1
111	8423330	Kit gearbox + extension SPR160/185 offset @1000rpm	SPR/160•185 Dec. - 1000rpm	1
111	8423331	Kit gearbox + extension SPR185 @1000rpm	SPR/185 - 1000rpm	1
111	8423332	Kit gearbox + extension SPR210 @1000rpm	SPR/210 - 1000rpm	1



Machine type: TILLER

Model: SPR

Group: TILLER

Document ID: 902423003

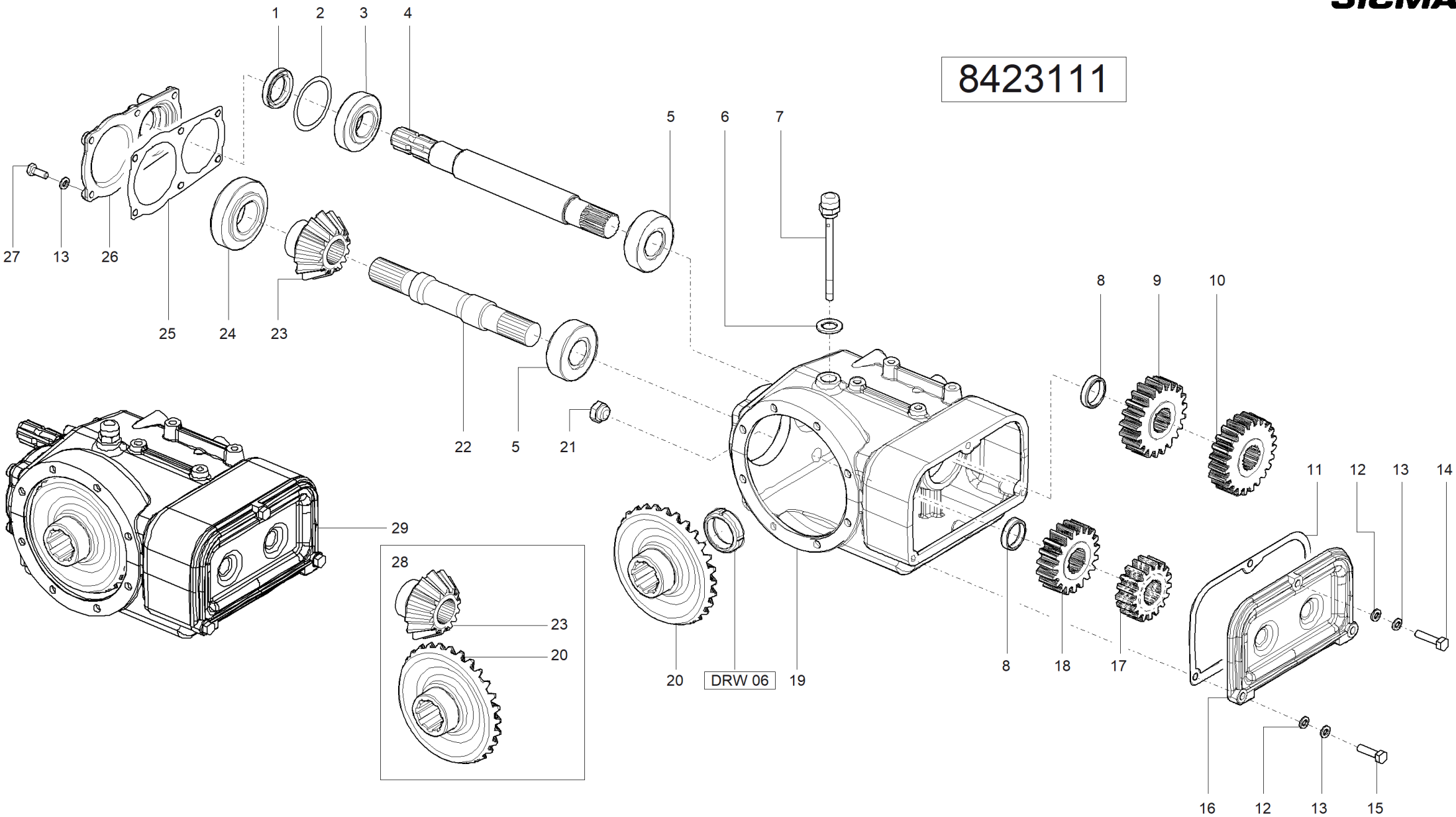
Revision: 11\_01/10/2019 - 22/03/2021

Table: 01

Reference	P/N	Description	Model #	Quantity
111	8423334	Kit gearbox + extension SPR260 1"3/4 @1000rpm	SPR/260 - 1"3/4 1000rpm	1
111	8423335	Kit gearbox + extension SPR235 1"3/4 @1000rpm	SPR/235 - 1"3/4 1000rpm	1
111	8423336	Kit gearbox + extension SPR160 offset @1000rpm	SPR/160 Dec. - 1000rpm	1
112	3414101008	Nut M8 UNI5587		1
113	3625000008	Grower washer DIN1751 C70 Øi8		1
114	4337002	200 hook for shaft drive		1
115	5137068	RC/SA coupling support hook clip		1
116	3604000014	Flat washer UNI6592 140Hv Øi14		6
117	4204801	SPR transmission gear pivot		1
118	3444022	M22x1.5 porthole cap		1



8423111



Machine type: TILLER

Model: SPR

Group: GEARBOX (@540 RPM 1"3/8 Z6 - 8423111)

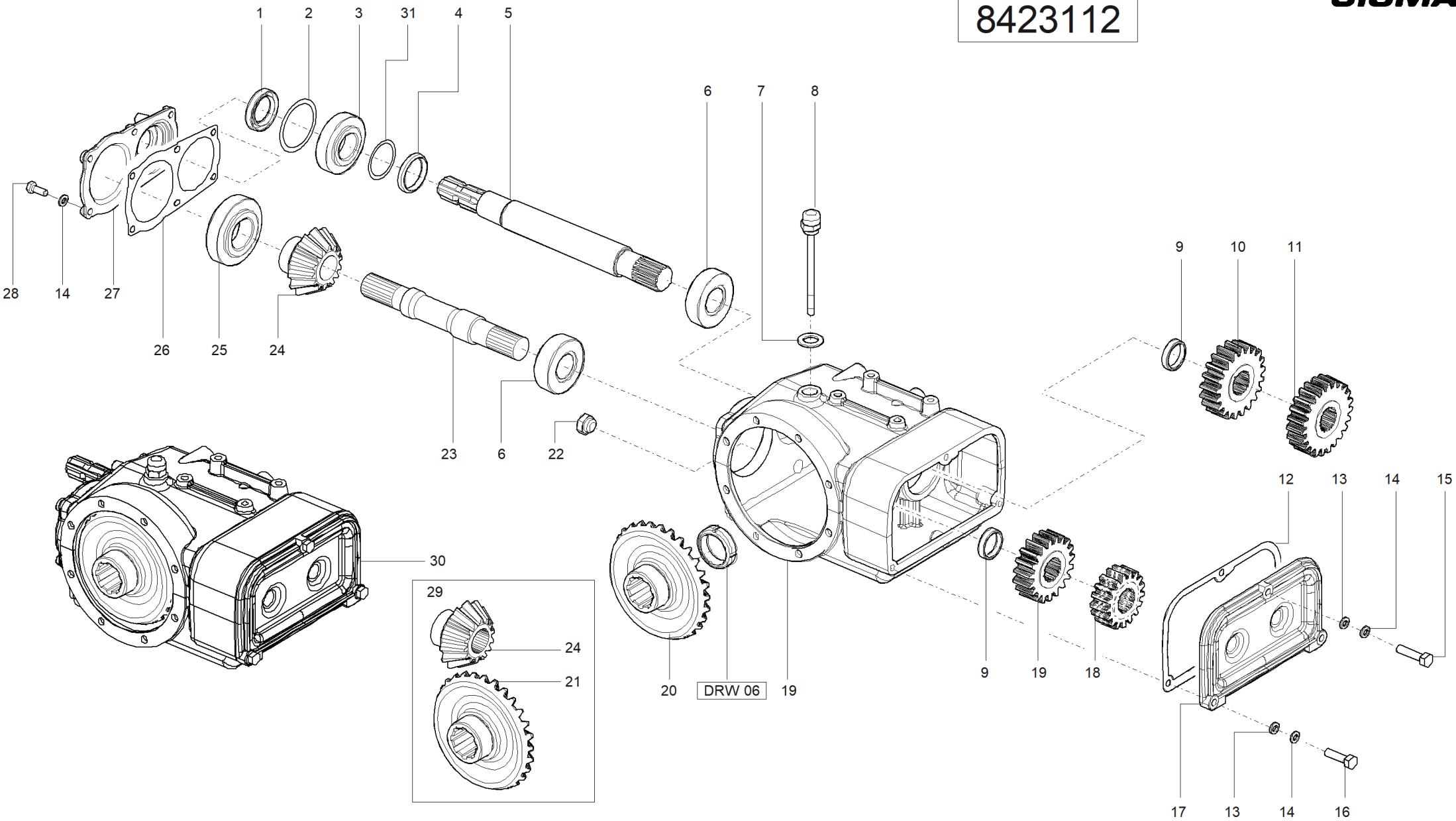
Document ID: 902423003

Revision: 11\_01/10/2019 - 22/03/2021

Table: 02

Reference	P/N	Description	Model #	Quantity
1	6204062	Oil seal 40x62x10 PP DIN3760, AS type		1
2	6017002	Spacer 85x70x0,2		1
2	6017005	Spacer ring 70x80x0.5		1
3	2030308	30308 bearing		1
4	4224252	SP/SPR power take-off shaft		1
5	2032308	32308 bearing		2
6	6470122	Washer M22 (Al/Cu)		1
7	25280-01	M22x1,5 rod cap		1
8	25450-01	SP gearbox gear spacer		2
9	4224256	Z21 SP/SPR gearbox gear		1
10	4224257	Z23 SP/SPR gearbox gear		1
11	4784264	SPR lid seal		1
12	3604100010	Flat washer UNI6592 140Hv Øi10 galvanised		3
13	3625000010	Grower washer DIN1751 C70 Øi10		3
14	3021110055	Screw UNI5739 8.8 M10x55 galvanised (coarse pitch)		1
15	3021110035	Screw UNI5739 8.8 M10x35 galvanised (coarse pitch)		2
16	4674261	SP gear holder lid		1
17	4224254	Z17 SP/SPR gearbox gear		1
18	4224255	Z19 SP/SPR gearbox gear		1
19	4654250	SP bevel gear crankcase		1
20	4724835	SPR conical crown fixing with ring		1
21	3441022	22x1.5 conical cap hexagon 17		1
22	4214201	SPR sprocket holder shaft		1
23	4224201	Z14 M6.75 SPR conical sprocket		1
24	2732212	32212 bearing with conical rollers		1
25	4784260	PTO SPR lid seal thickness 0.5		1
25	4784261	PTO SPR lid seal thickness 0.2		1
26	4644260	SP oil seal holder lid		1
27	3021110025	Screw UNI5739 8.8 M10x25 galvanised (coarse pitch)		6
28	8423019	SPR bevel gear kit (with ring nut fixing)		1
29	8423111	SPR 4 speed gearbox @540 rpm		1

8423112



DRW 06

Machine type: TILLER

Model: SPR

Group: GEARBOX (@540 RPM 1"3/4 Z6 - 8423112)

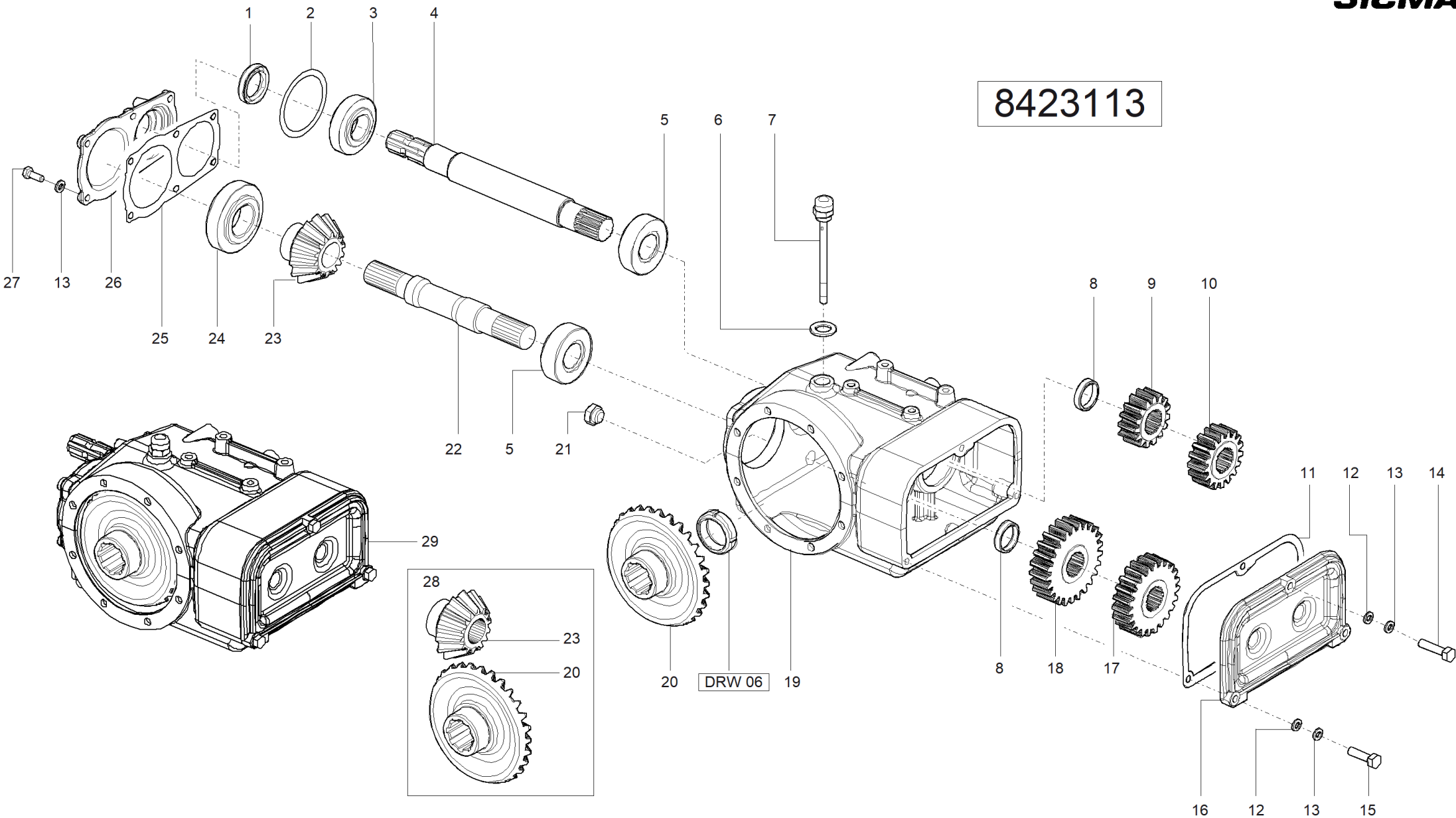
Document ID: 902423003

Revision: 11\_01/10/2019 - 22/03/2021

Table: 03

Reference	P/N	Description	Model #	Quantity
1	6204562	Oil seal 45x62x10 PP DIN3760, AS type		1
2	6017002	Spacer 85x70x0,2		1
2	6017005	Spacer ring 70x80x0.5		1
3	2032210	32210 bearing		1
4	4594216	PTO 1" 3/4 Z6 SP bearing spacer		1
5	4224259	1" 3/4 Z6 SP255 shaft		1
6	2032308	32308 bearing		2
7	6470122	Washer M22 (Al/Cu)		1
8	25280-01	M22x1,5 rod cap		1
9	25450-01	SP gearbox gear spacer		2
10	4224256	Z21 SP/SPR gearbox gear		1
11	4224257	Z23 SP/SPR gearbox gear		1
12	4784264	SPR lid seal		1
13	3604100010	Flat washer UNI6592 140Hv Øi10 galvanised		3
14	3625000010	Grower washer DIN1751 C70 Øi10		9
15	3021110055	Screw UNI5739 8.8 M10x55 galvanised (coarse pitch)		1
16	3021110035	Screw UNI5739 8.8 M10x35 galvanised (coarse pitch)		2
17	4674261	SP gear holder lid		1
18	4224254	Z17 SP/SPR gearbox gear		1
19	4224255	Z19 SP/SPR gearbox gear		1
20	4654250	SP bevel gear crankcase		1
21	4724835	SPR conical crown fixing with ring		1
22	3441022	22x1.5 conical cap hexagon 17		1
23	4214201	SPR sprocket holder shaft		1
24	4224201	Z14 M6.75 SPR conical sprocket		1
25	2732212	32212 bearing with conical rollers		1
26	4784260	PTO SPR lid seal thickness 0.5		1
26	4784261	PTO SPR lid seal thickness 0.2		1
27	4644261	PTO 1"3/4 Z6 SP255 oil seal holder lid		1
28	3021110025	Screw UNI5739 8.8 M10x25 galvanised (coarse pitch)		6
29	8423019	SPR bevel gear kit (with ring nut fixing)		1
30	8423112	Gearbox SPR 4 speed gearbox @540 rpm 1 3/4" Z6		1
31	6015005	Shim Ø50xØ70x0,5		1

8423113





Machine type: TILLER

Model: SPR

Group: GEARBOX (@1000 RPM 1"3/8 Z6 - 8423113)

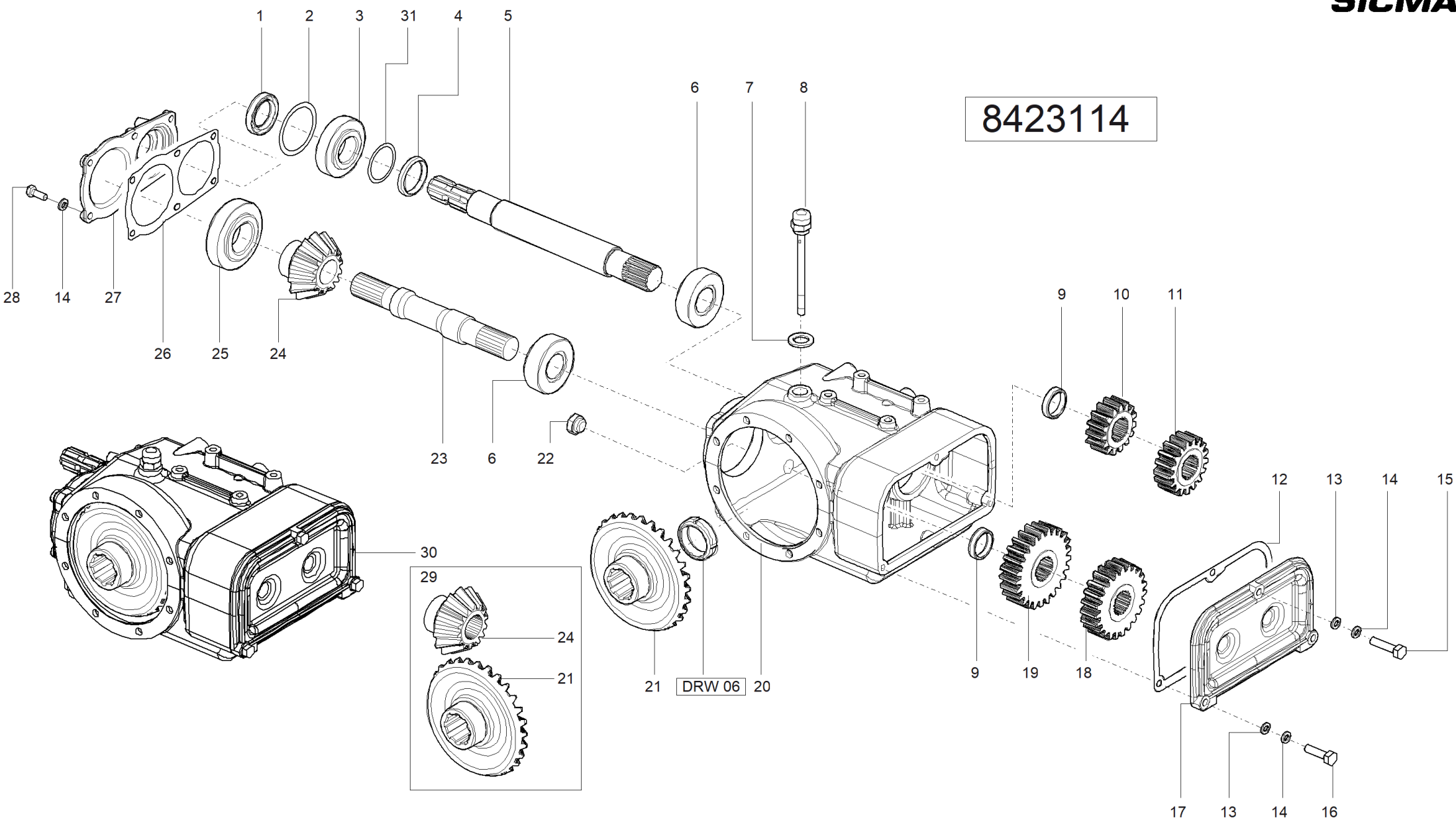
Document ID: 902423003

Revision: 11\_01/10/2019 - 22/03/2021

Table: 04

Reference	P/N	Description	Model #	Quantity
1	6204062	Oil seal 40x62x10 PP DIN3760, AS type		1
2	6017002	Spacer 85x70x0,2		1
2	6017005	Spacer ring 70x80x0.5		1
3	2030308	30308 bearing		1
4	4224252	SP/SPR power take-off shaft		1
5	2032308	32308 bearing		2
6	6470122	Washer M22 (Al/Cu)		1
7	25280-01	M22x1,5 rod cap		1
8	25450-01	SP gearbox gear spacer		2
9	4224253	Z15 gear gearbok 4 speed SP		1
10	4224254	Z17 SP/SPR gearbox gear		1
11	4784264	SPR lid seal		1
12	3604100010	Flat washer UNI6592 140Hv Øi10 galvanised		3
13	3625000010	Grower washer DIN1751 C70 Øi10		9
14	3021110055	Screw UNI5739 8.8 M10x55 galvanised (coarse pitch)		1
15	3021110035	Screw UNI5739 8.8 M10x35 galvanised (coarse pitch)		2
16	4674261	SP gear holder lid		1
17	4224257	Z23 SP/SPR gearbox gear		1
18	4224258	Z25 gear gearbox 4 speed SP		1
19	4654250	SP bevel gear crankcase		1
20	4724835	SPR conical crown fixing with ring		1
21	3441022	22x1.5 conical cap hexagon 17		1
22	4214201	SPR sprocket holder shaft		1
23	4224201	Z14 M6.75 SPR conical sprocket		1
24	2732212	32212 bearing with conical rollers		1
25	4784260	PTO SPR lid seal thickness 0.5		1
25	4784261	PTO SPR lid seal thickness 0.2		1
26	4644260	SP oil seal holder lid		1
27	3021110025	Screw UNI5739 8.8 M10x25 galvanised (coarse pitch)		6
28	8423019	SPR bevel gear kit (with ring nut fixing)		1
29	8423113	SPR 4 speed gearbox @1000 rpm		1
-	8423113	SPR 4 speed gearbox @1000 rpm		0

8423114



Machine type: TILLER

Model: SPR

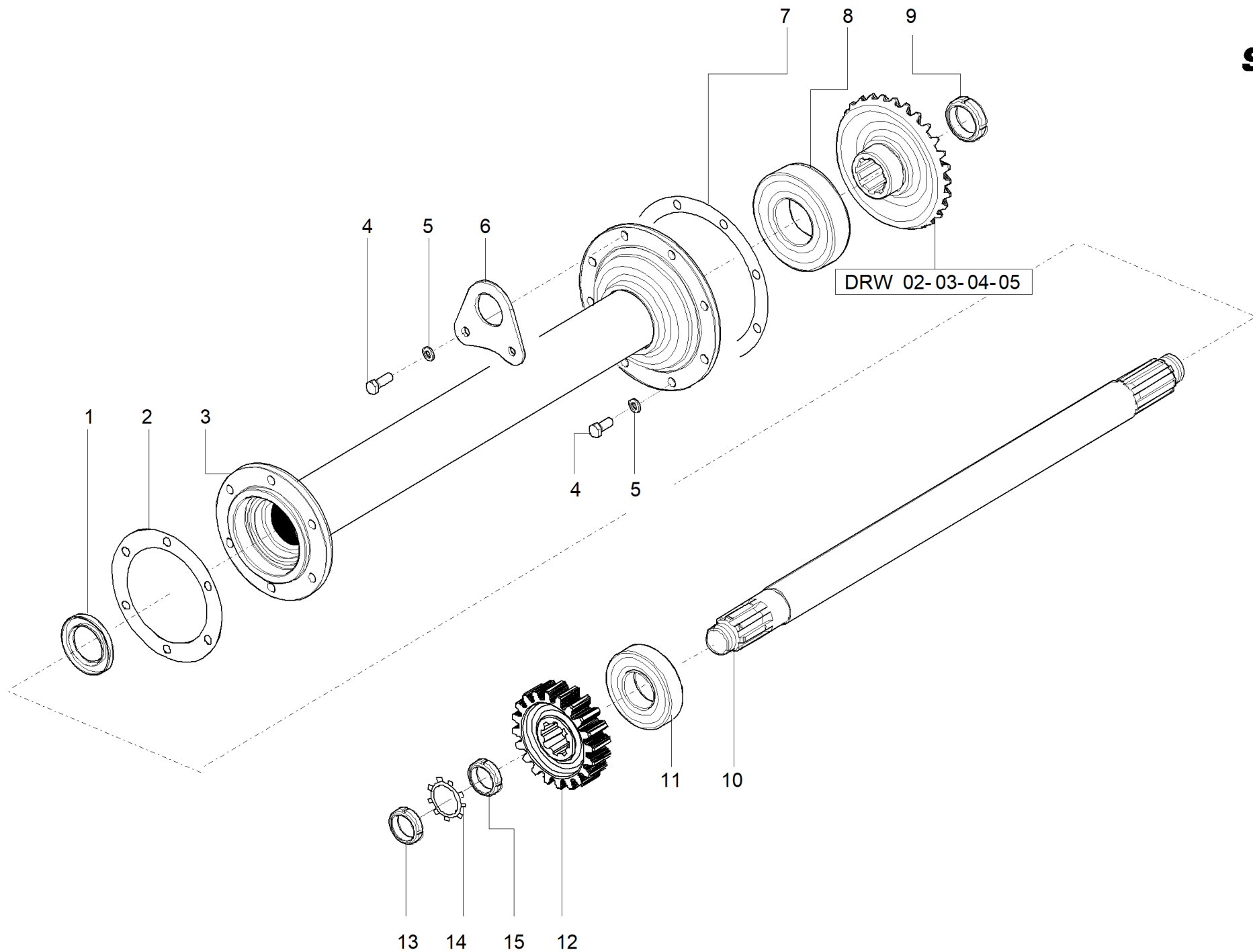
Group: GEARBOX (@1000 RPM 1"3/4 Z6 - 8423114)

Document ID: 902423003

Revision: 11\_01/10/2019 - 22/03/2021

Table: 05

Reference	P/N	Description	Model #	Quantity
1	6204562	Oil seal 45x62x10 PP DIN3760, AS type		1
2	6017002	Spacer 85x70x0,2		1
2	6017005	Spacer ring 70x80x0.5		1
3	2032210	32210 bearing		1
4	4594216	PTO 1" 3/4 Z6 SP bearing spacer		1
5	4224259	1" 3/4 Z6 SP255 shaft		1
6	2032308	32308 bearing		2
7	6470122	Washer M22 (Al/Cu)		1
8	25280-01	M22x1,5 rod cap		1
9	25450-01	SP gearbox gear spacer		2
10	4224253	Z15 gear gearbok 4 speed SP		1
11	4224254	Z17 SP/SPR gearbox gear		1
12	4784264	SPR lid seal		1
13	3604100010	Flat washer UNI6592 140Hv Øi10 galvanised		3
14	3625000010	Grower washer DIN1751 C70 Øi10		9
15	3021110055	Screw UNI5739 8.8 M10x55 galvanised (coarse pitch)		1
16	3021110035	Screw UNI5739 8.8 M10x35 galvanised (coarse pitch)		2
17	4674261	SP gear holder lid		1
18	4224257	Z23 SP/SPR gearbox gear		1
19	4224258	Z25 gear gearbox 4 speed SP		1
20	4654250	SP bevel gear crankcase		1
21	4724835	SPR conical crown fixing with ring		1
22	3441022	22x1.5 conical cap hexagon 17		1
23	4214201	SPR sprocket holder shaft		1
24	4224201	Z14 M6.75 SPR conical sprocket		1
25	2732212	32212 bearing with conical rollers		1
26	4784260	PTO SPR lid seal thickness 0.5		1
26	4784261	PTO SPR lid seal thickness 0.2		1
27	4644261	PTO 1"3/4 Z6 SP255 oil seal holder lid		1
28	3021110025	Screw UNI5739 8.8 M10x25 galvanised (coarse pitch)		6
29	8423019	SPR bevel gear kit (with ring nut fixing)		1
30	8423114	Gearbox SPR 4 speed gearbox @1000 rpm 1 3/4" Z6		1
31	6015005	Shim Ø50xØ70x0,5		1



Machine type: TILLER

Model: SPR

Group: DRIVE SHAFT UNIT

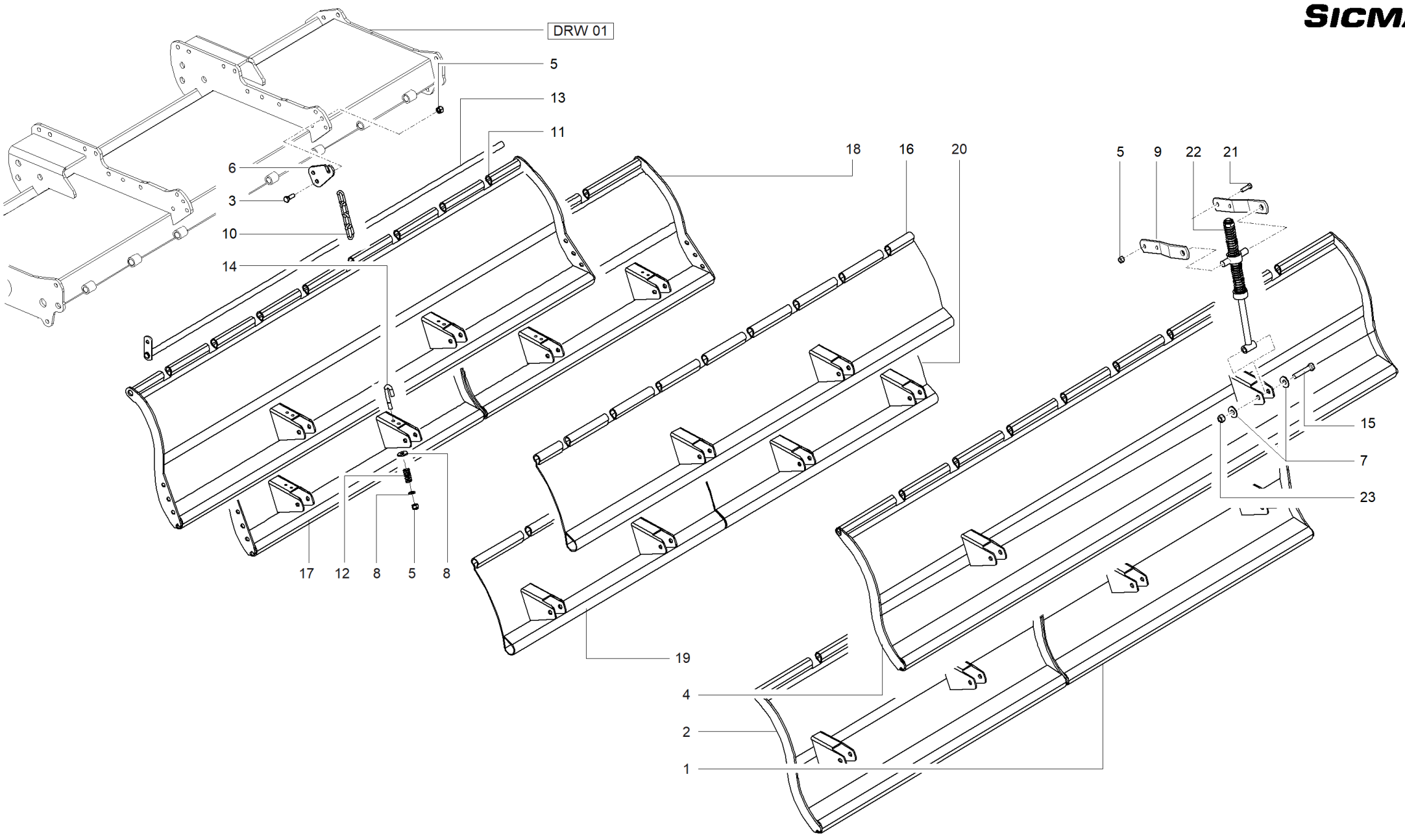
Document ID: 902423003

Revision: 11\_01/10/2019 - 22/03/2021

Table: 06

Reference	P/N	Description	Model #	Quantity
1	6105590	Oil seal 55x90x10 lawnmower DIN3760, A type		1
2	4784734	External side crown support seal		1
3	4004811	Transmission side support SPR160/185 offset	SP/160•185 off set	1
3	4004812	Transmission side support SPR185	SP/185	1
3	4004813	Transmission side support SPR210	SP/210	1
3	4004814	Transmission side support SPR235	SP/235	1
3	4004815	Transmission side support SPR260	SP/260	1
3	4004817	Transmission side support SPR160 offset	SP/160, off set	1
4	3021112025	Screw UNI5739 8.8 M12x25 galvanised (coarse pitch)		8
5	3625000012	Grower washer DIN1751 C70 Øi12		8
6	4934657	SP/SPR lifting hook		1
7	4784825	SPE crown support seal		1
8	2730214	30214 bearing		1
9	3524201045	M45x1.5 self-locking ring galvanised		1
10	4214311	SPR160 crown shaft ring predisposition	SP/160•185 off set	1
10	4214312	SPR185 crown shaft ring predisposition	SP/185	1
10	4214313	SPR210 crown shaft ring predisposition	SP/210	1
10	4214314	SPR235 crown shaft ring predisposition	SP/235	1
10	4214315	SPR260 crown shaft ring predisposition	SP/260	1
10	4214316	Offset SPR160 crown shaft ring nut pred.	SP/160, off set	1
11	2730311A	Bearing 30311		1
12	4724886	SPR driving gear		1
13	34008045	M45x1.5 DIN981 locking ring		1
14	34031045	Safety washer MB M45 DIN5406		1
15	3574202045	Precision slotted round nut KMZ9 M45x1.5		1





Machine type: TILLER

Document ID: 902423003

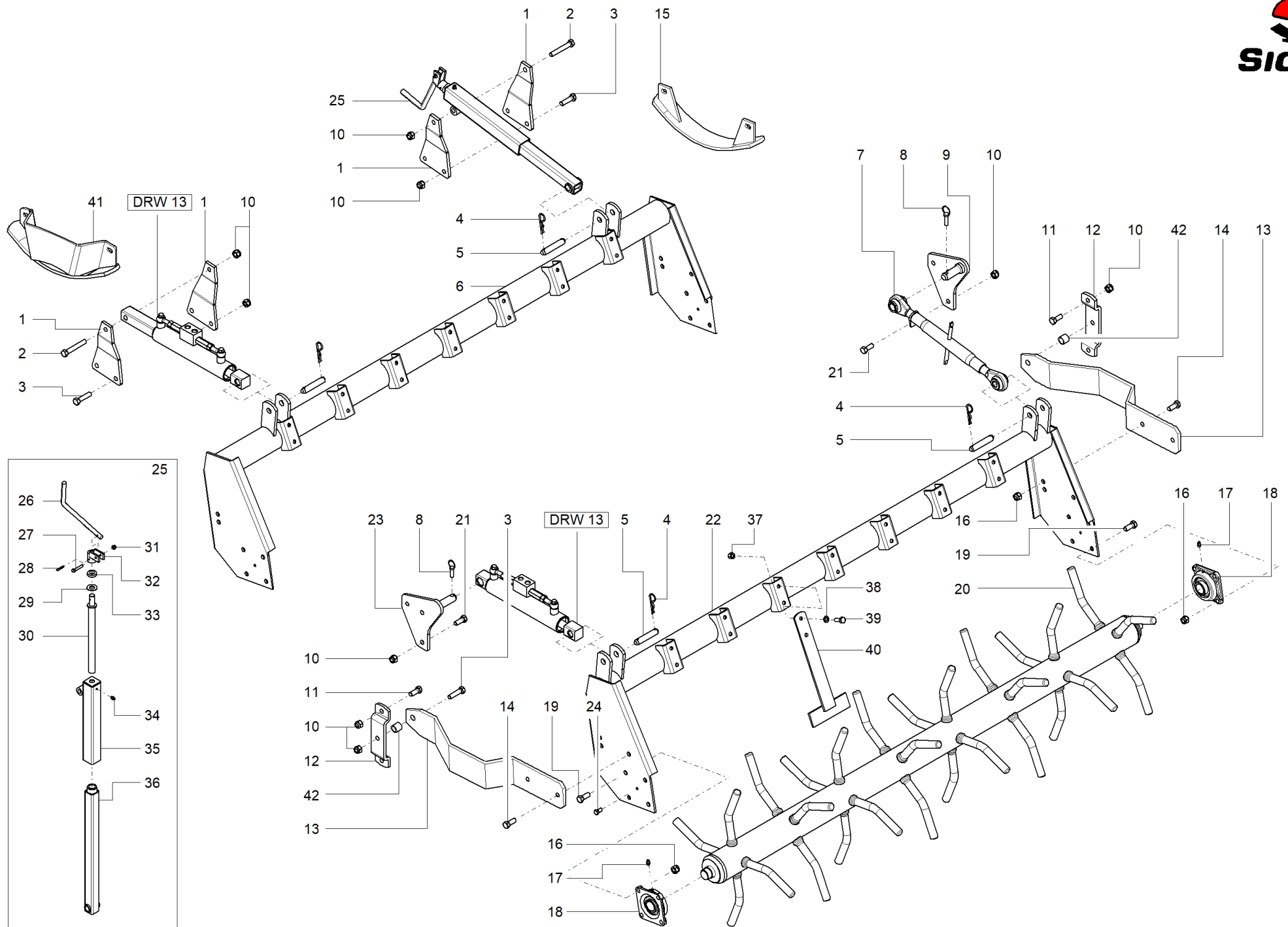
Model: SPR

Revision: 11\_01/10/2019 - 22/03/2021

Group: REAR LIDS

Table: 07

Reference	P/N	Description	Model #	Quantity
1	4014411	Lid type F Right SP235	SPR/235	1
1	4014412	Lid type F Right SP260	SPR/260	1
2	4014413	Lid type F Left SP235	SPR/235	1
2	4014414	Lid type F Left SP260	SPR/260	1
3	3021112035	Screw UNI5739 8.8 M12x35 galvanised (coarse pitch)	SPR/160•185•210	4
3	3021112035	Screw UNI5739 8.8 M12x35 galvanised (coarse pitch)	SPR/235•260	8
4	4014406	Lid type F SP160	SPR/160	1
4	4014407	Lid type F SP185	SPR/185	1
4	4014408	Lid type F SP210	SPR/210	1
4	4014409	Lid type F SP160 offset	SPR/160 off set	1
4	4014410	Lid type F SP185 offset	SPR/185 off set	1
5	3464101012	UNI7473 (coarse pitch) M12 zinc plated nut	SPR/235•260	16
5	3464101012	UNI7473 (coarse pitch) M12 zinc plated nut	SPR/160•185•210	8
6	4934778	SP/RM/RG chain lid hook	SPR/160•185•210	2
6	4934778	SP/RM/RG chain lid hook	SPR/235•260	4
7	3604000014	Flat washer UNI6592 140Hv Øi14		4
8	3614100012	Wide washer UNI6593 100Hv Øi12 galvanised	SPR/235•260	8
8	3614100012	Wide washer UNI6593 100Hv Øi12 galvanised	SPR/160•185•210	4
9	4834002	RD/RG boom for lid regulation		4
10	4674003	CS/RG/SP lid chain 13 rollers	SPR/235•260	4
10	4674003	CS/RG/SP lid chain 13 rollers	SPR/160•185•210	2
11	4004283	Type-A lid SP160 offset	SPR/160 off set	1
11	4004284	Type-A lid SP185 offset	SPR/185 off set	1
11	4004905	Rear bonnet	SPR/160	1
11	4004906	Rear bonnet	SPR/185	1
11	4004907	Rear bonnet	SPR/210	1
12	4212214	RM/RD/RC shock absorber spring	SPR/160•185•210	2
12	4212214	RM/RD/RC shock absorber spring	SPR/235•260	4
13	4004785	Bonnet pin	SPR/160	1
13	4004788	Bonnet pin	SPR/185	1
13	4004790	Bonnet pin	SPR/210	1
13	4004792	Bonnet pin	SPR/235	1
13	4004794	Bonnet pin	SPR/260	1
14	4302183	Rear lid spring hook	SPR/160•185•210	2
14	4302183	Rear lid spring hook	SPR/235•260	4
15	3011114080	Screw UNI5737 8.8 M14x80 galvanised (coarse pitch)		2
16	4004410	Type-C rear lid SP160	SPR/160	1
16	4004411	Type-C rear lid SP185	SPR/185	1
16	4004412	Type-C rear lid SP210	SPR/210	1
16	4004413	Type-C rear lid SP160 offset	SPR/160 off set	1
16	4004414	Type-C rear lid SP185 offset	SPR/185 off set	1
17	4004912	LH, rear bonnet	SPR/235	1
17	4004913	LH, rear bonnet	SPR/260	1
18	4004910	RH, rear bonnet	SPR/235	1
18	4004911	RH, rear bonnet	SPR/260	1
19	4004417	Type-C rear lid Left SP235	SPR/235	1
19	4004418	Type-C rear lid Left SP260	SPR/260	1
20	4004415	Type-C rear lid Right SP235	SPR/235	1
20	4004416	Type-C rear lid Right SP260	SPR/260	1
21	3011112050	Screw UNI5737 8.8 M12x50 galvanised (coarse pitch)		4
22	4002590	Bonnet presses kit		2
23	3464101014	UNI7473 (coarse pitch) M14 zinc plated nut		2



Machine type: TILLER

Document ID: 902423003

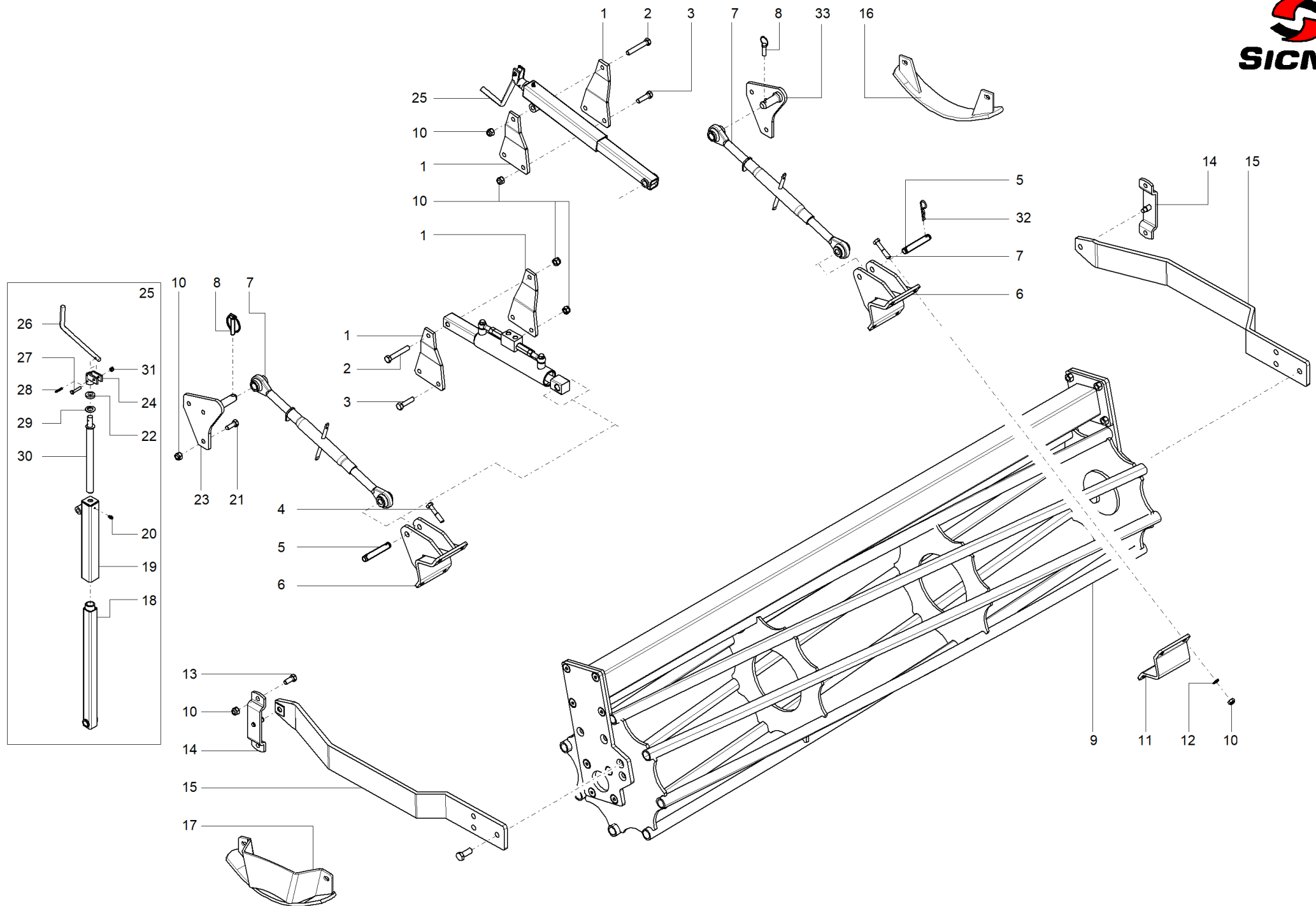
Model: SPR

Revision: 11\_01/10/2019 - 22/03/2021

Group: SPIKE ROLLER

Table: 08

Reference	P/N	Description	Model #	Quantity
1	4134097	RG adjustment screw clamp		1
2	3011114085	Screw UNI5737 8.8 M14x85 galvanised (coarse pitch)		1
3	3021114050	Screw UNI5739 8.8 M14x50 galvanised (coarse pitch)		1
4	6351004	Split pin Ad R Ø4 galvanised		1
5	4304003	RG fastening tie rod 3rd point pin		1
6	4005178	Central coupling roller frame	SPR/185	1
6	4005179	SP210 central coupling roller frame	SPR/205	1
6	4005180	SP235 central coupling roller frame	SPR/230	1
6	4005181	SP260 central coupling roller frame	SPR/255	1
7	6391320	19.25/320 3rd point boom		1
8	6331058	Snap pin 10x58		1
9	4004710	Right junction plate		1
10	3464101014	UNI7473 (coarse pitch) M14 zinc plated nut		1
11	3021114040	Screw UNI5739 8.8 M14x40 galvanised (coarse pitch)		1
12	4004022	Roller fastening clamp		1
13	4934663	Boom packer roller/SPR wide lid studs		1
14	3021114035	Screw UNI5739 8.8 M14x35 galvanised (coarse pitch)		1
15	4004433	SM external protection slide		1
16	3414101014	Nut M14 UNI5587 coarse pitch		1
17	6560006	Type-A greaser UNI7663 M6x1		1
18	2000035	UCF-207 support		1
19	3021114030	Screw UNI5739 8.8 M14x30 galvanised (coarse pitch)		1
20	4005420	Spike roller SPR185		1
20	4005421	Spike roller SPR205		1
20	4005422	Spike roller SPR230		1
20	4005423	Spike roller SPR255		1
21	3021114040	Screw UNI5739 8.8 M14x40 galvanised (coarse pitch)		1
22	4005110	Roller frame SP180	SPR/185	1
22	4005111	Roller frame SP210 side coupling	SPR/205	1
22	4005112	Roller frame SP235 side coupling	SPR/230	1
22	4005113	Frame for roller RG255	SPR/255	1
23	4004711	Left junction plate		1
24	3021110010	Screw UNI5739 8.8 M10x10 galvanised (coarse pitch)		1
25	4004147	RG roller adjustment		1
26	4334001	RG/SP adjustment crank		1
27	3011108040	Screw UNI5737 8.8 M08x040 galvanised (coarse pitch)		1
28	6330536	Elastic pin Ø5x36 UNI6873 galvanised		1
29	3604000020	Flat washer Ø20 UNI6592		1
30	4004150	Roller adjustment		1
31	3464101008	UNI7473 (coarse pitch) M8 zinc plated nut		1
32	4005303	crank coupling		1
33	4333039	VM/V1003/VSL little end oil seal bushing		1
34	6561006	Greaser UNI7663 M6x1		1
35	4004148	External regulation pipe		1
36	4004149	Inner regulation pipe		1
37	3414101012	UNI5587 M12 (coarse pitch) zinc plated nut		1
38	3625100012	Grower washer DIN1751 C70 Øi12 zinc plated		1
39	3021112030	Screw UNI5739 8.8 M12x30 galvanised (coarse pitch)		1
40	4005017	RG roller scraper		1
41	4004432	SP transmission protection slide		1
42	4534201	Boom fastening bush		1

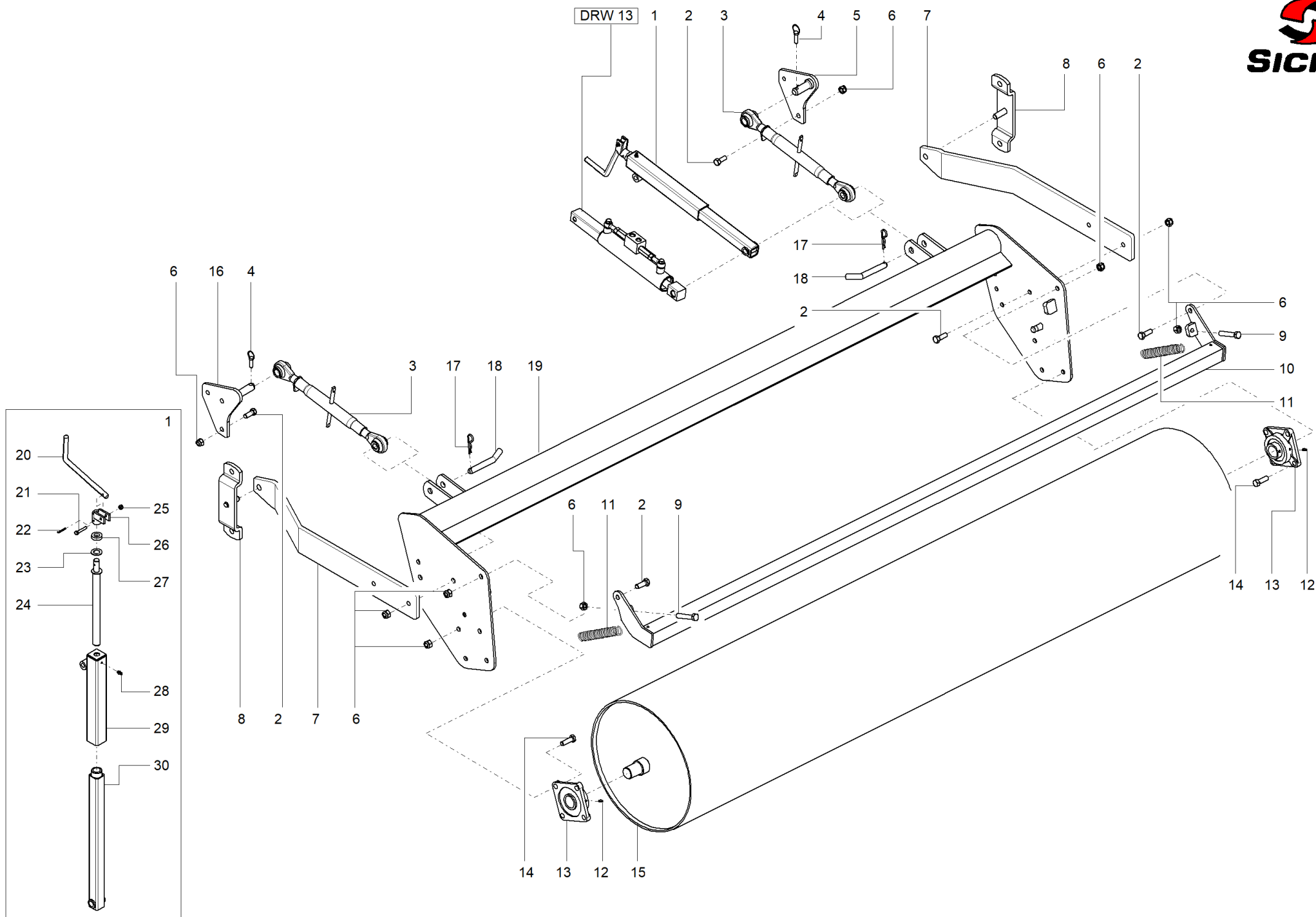




Machine type: TILLER  
 Model: SPR  
 Group: CAGE ROLLER

Document ID: 902423003  
 Revision: 11\_01/10/2019 - 22/03/2021  
 Table: 09

Reference	P/N	Description	Model #	Quantity
1	4134097	RG adjustment screw clamp		4
2	3011114085	Screw UNI5737 8.8 M14x85 galvanised (coarse pitch)		2
3	3021114050	Screw UNI5739 8.8 M14x50 galvanised (coarse pitch)		4
4	3021114070	Screw TE M14x70 UNI5739		8
5	4304003	RG fastening tie rod 3rd point pin		2
6	4004646	Tie-rod anchor tie		2
7	6391320	19.25/320 3rd point boom		2
8	6331058	Snap pin 10x58		2
9	4009927	SPR185/RG180 Ø550 cage roller	SPR/185	1
9	4009928	SPR210 Ø550 cage roller	SPR/210	1
9	4009929	SPR235/RG230 Ø550 cage roller	SPR/235	1
9	4009930	Ø550 cage roller	SPR/260	1
10	3464101014	UNI7473 (coarse pitch) M14 zinc plated nut		16
11	4934662	Roller tie-rod coupling tie		2
12	3625100014	Grower washer DIN1751 C70 Øi14 zinc plated		8
13	3021114040	Screw UNI5739 8.8 M14x40 galvanised (coarse pitch)		4
14	4004022	Roller fastening clamp		2
15	4004656	Roller arm		2
16	4004433	SM external protection slide		1
17	4004432	SP transmission protection slide		1
18	4004149	Inner regulation pipe		2
19	4004148	External regulation pipe		2
20	6561006	Greaser UNI7663 M6x1		2
21	3021114040	Screw UNI5739 8.8 M14x40 galvanised (coarse pitch)		4
22	4333039	VM/V1003/VSL little end oil seal bushing		2
23	4004711	Left junction plate		1
24	4005303	crank coupling		2
25	4004147	RG roller adjustment		2
26	4334001	RG/SP adjustment crank		2
27	3011108040	Screw UNI5737 8.8 M08x040 galvanised (coarse pitch)		2
28	6330536	Elastic pin Ø5x36 UNI6873 galvanised		2
29	3604000020	Flat washer Ø20 UNI6592		2
30	4004150	Roller adjustment		2
31	3464101008	UNI7473 (coarse pitch) M8 zinc plated nut		2
32	6351004	Split pin Ad R Ø4 galvanised		4
33	4004710	Right junction plate		1



Machine type: TILLER

Model: SPR

Group: SMOOTH ROLLER

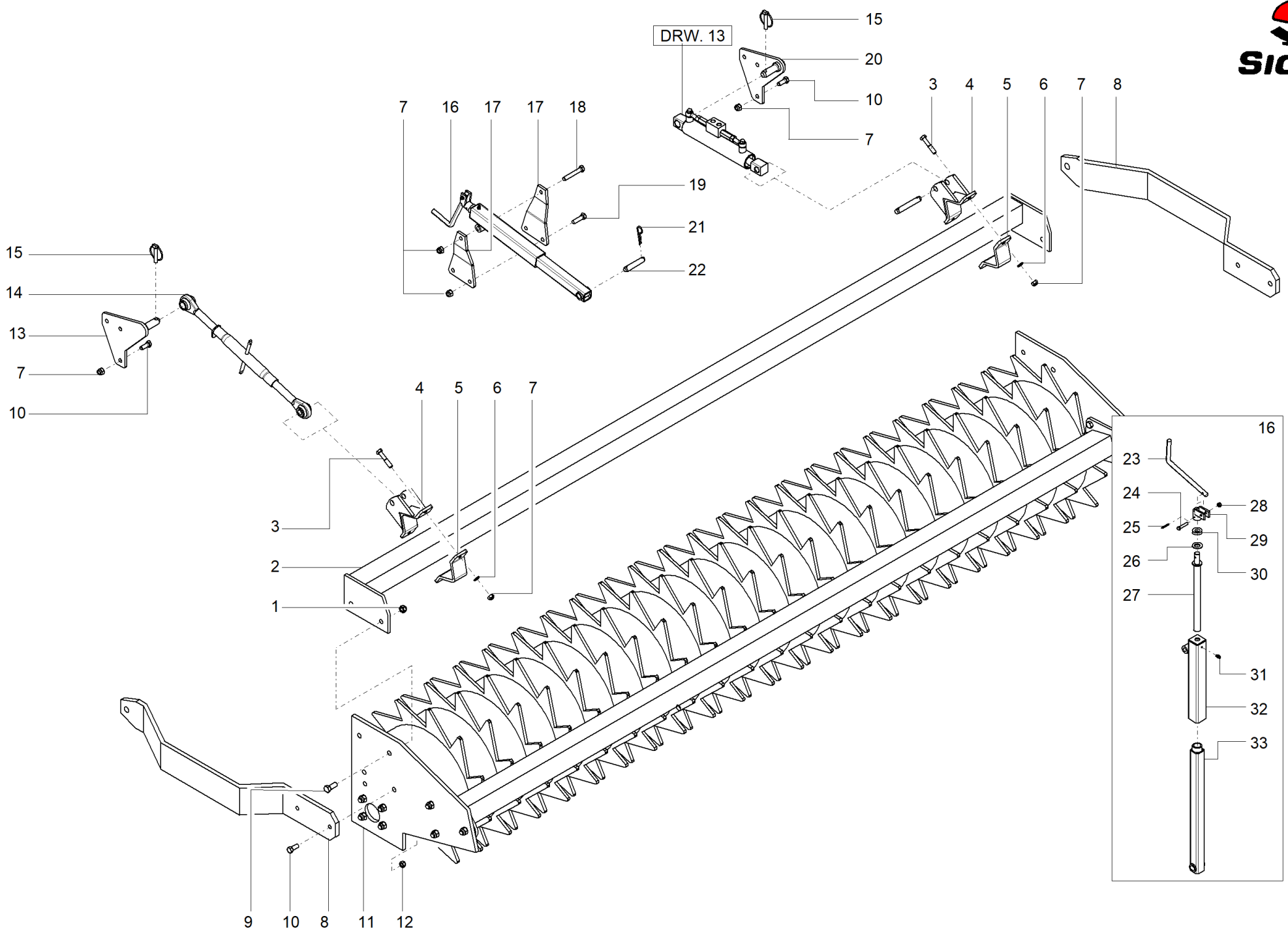
Document ID: 902423003

Revision: 11\_01/10/2019 - 22/03/2021

Table: 10

Reference	P/N	Description	Model #	Quantity
1	4004147	RG roller adjustment		1
2	3021114040	Screw UNI5739 8.8 M14x40 galvanised (coarse pitch)		1
3	6391320	19.25/320 3rd point boom		1
4	6351004	Split pin Ad R Ø4 galvanised		1
5	4004710	Right junction plate		1
6	3464101014	UNI7473 (coarse pitch) M14 zinc plated nut		1
7	4934418	Roller support boom		1
8	4004022	Roller fastening clamp		1
9	3021114080	Screw TE M14x80 UNI5739		1
10	4004490	Scraper	SPR/160	1
10	4004491	Scraper	SPR/185	1
10	4004492	Scraper	SPR/210	1
10	4004493	Scraper	SPR/235	1
10	4004494	Scraper smooth SPR260 RG255	SPR/260	1
11	4211802	Stone guard tension spring		1
12	6560006	Type-A greaser UNI7663 M6x1		1
13	2000040	UCF-208 support		1
14	3021114045	Screw UNI5739 8.8 M14x45 galvanised (coarse pitch)		1
15	4004614	Smooth roller Ø450 SPR210		1
15	4004615	Smooth roller Ø450 SPR235		1
15	4004616	Smooth roller Ø450 SPR260		1
15	4004625	Smooth roller Ø450 SPR160		1
15	4004626	Smooth roller Ø450 SPR185		1
16	4004711	Left junction plate		1
17	6351004	Split pin Ad R Ø4 galvanised		1
18	4301591	Long upper 3rd point pin		1
19	4004675	Roller frame	SPR/160	1
19	4004676	Roller frame	SPR/185	1
19	4004677	Roller frame	SPR/210	1
19	4004678	Roller frame	SPR/235	1
19	4004679	Roller frame	SPR/260	1
20	4334001	RG/SP adjustment crank		1
21	3011108040	Screw UNI5737 8.8 M08x040 galvanised (coarse pitch)		1
22	6330536	Elastic pin Ø5x36 UNI6873 galvanised		1
23	3604000020	Flat washer Ø20 UNI6592		1
24	4004150	Roller adjustment		1
25	3464101008	UNI7473 (coarse pitch) M8 zinc plated nut		1
26	4005303	crank coupling		1
27	4333039	VM/V1003/VSL little end oil seal bushing		1
28	6561006	Greaser UNI7663 M6x1		1
29	4004148	External regulation pipe		1
30	4004149	Inner regulation pipe		1

DRW. 13



Machine type: TILLER

Document ID: 902423003

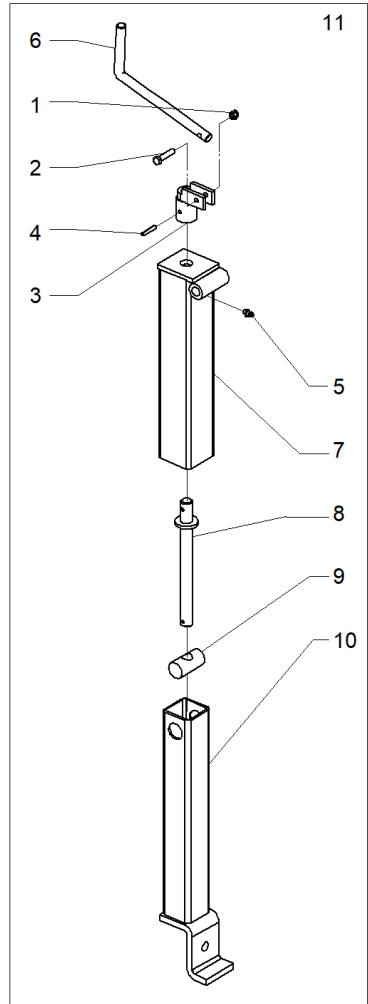
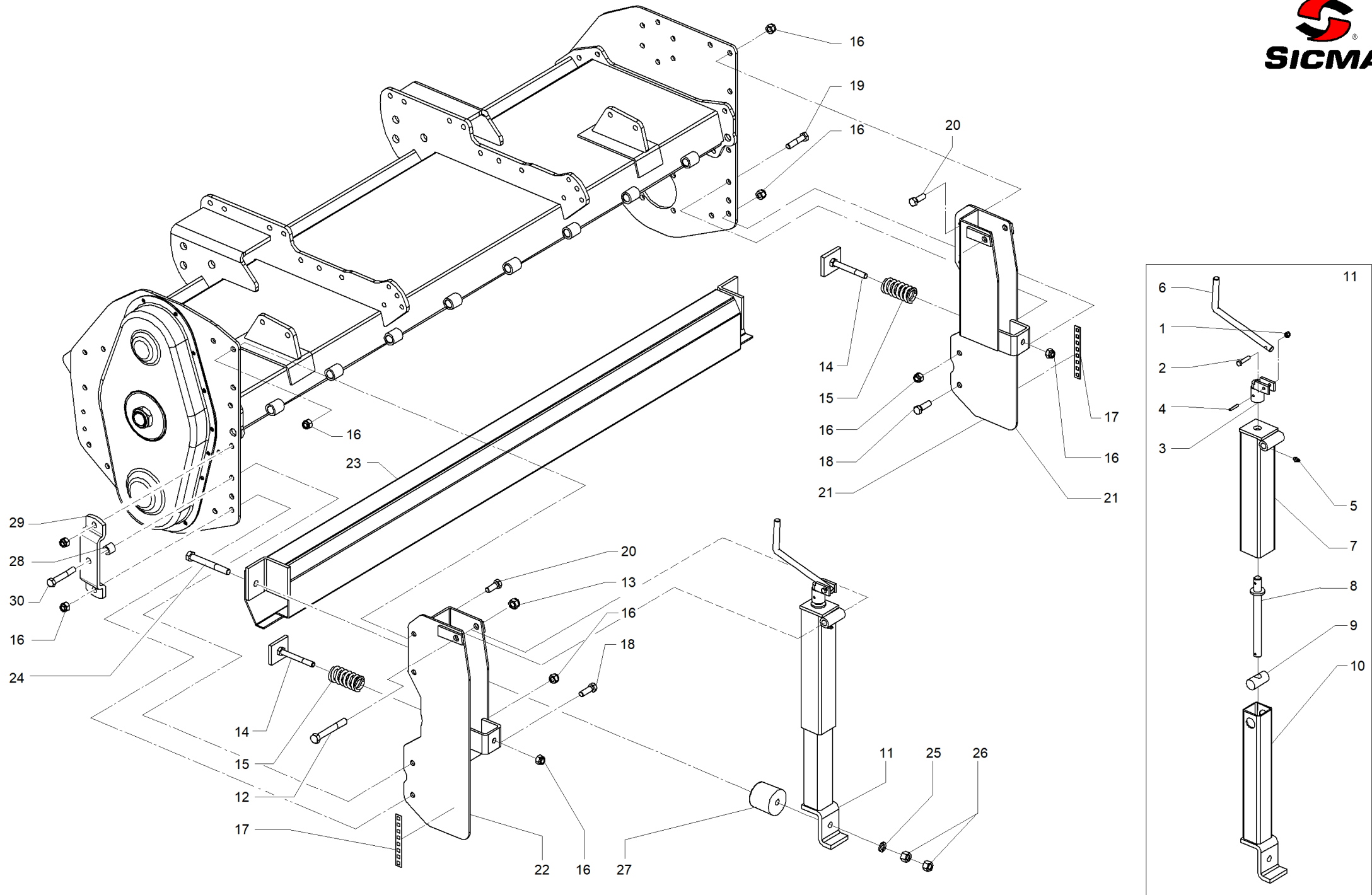
Model: SPR

Revision: 11\_01/10/2019 - 22/03/2021

Group: PACKER ROLLER

Table: 11

Reference	P/N	Description	Model #	Quantity
1	3464101016	UNI7473 (coarse pitch) M16 zinc plated nut		4
2	4005147	Support	SPR/160	1
2	4005148	Support	SPR/185	1
2	4005149	Support	SPR/210	1
2	4005150	Low support	SPR/235	1
2	4005151	Low support	SPR/260	1
3	3021114070	Screw TE M14x70 UNI5739		4
4	4005006	Packer roller coupling		2
5	4834010	Clamp for square tubes of 70-80		2
6	3604000014	Flat washer UNI6592 140Hv Øi14		4
7	3464101014	UNI7473 (coarse pitch) M14 zinc plated nut		10
8	4934663	Boom packer roller/SPR wide lid studs		2
9	3062216040	Screw TSEI M16x40 UNI5933		4
10	3062214040	Screw TSEI M14x40 UNI5933		10
11	4004692	SPR160 Ø550 packer roller	SPR/160	1
11	4004693	SPR185 Ø550 packer roller	SPR/185	1
11	4004694	Complete packer roller	SPR/210	1
11	4004695	Complete packer roller	SPR/235	1
11	4004696	Complete packer roller	SPR/260	1
12	3464101014	UNI7473 (coarse pitch) M14 zinc plated nut		4
13	4004711	Left junction plate		1
14	6391320	19.25/320 3rd point boom		2
15	6350010	Snap pin DIN11023 D10 galvanised		2
16	4004147	RG roller adjustment		2
17	4134097	RG adjustment screw clamp		4
18	3011114085	Screw UNI5737 8.8 M14x85 galvanised (coarse pitch)		2
19	3011114085	Screw UNI5737 8.8 M14x85 galvanised (coarse pitch)		4
20	4004710	Right junction plate		1
21	6351004	Split pin Ad R Ø4 galvanised		4
22	4304003	RG fastening tie rod 3rd point pin		2
23	4334001	RG/SP adjustment crank		1
24	3011108040	Screw UNI5737 8.8 M08x040 galvanised (coarse pitch)		1
25	6330536	Elastic pin Ø5x36 UNI6873 galvanised		1
26	3604000020	Flat washer Ø20 UNI6592		1
27	4004150	Roller adjustment		1
28	3464101008	UNI7473 (coarse pitch) M8 zinc plated nut		1
29	4005303	crank coupling		1
30	4333039	VM/V1003/VSL little end oil seal bushing		1
31	6561006	Greaser UNI7663 M6x1		1
32	4004148	External regulation pipe		1
33	4004149	Inner regulation pipe		1





Machine type: TILLER

Model: SPR

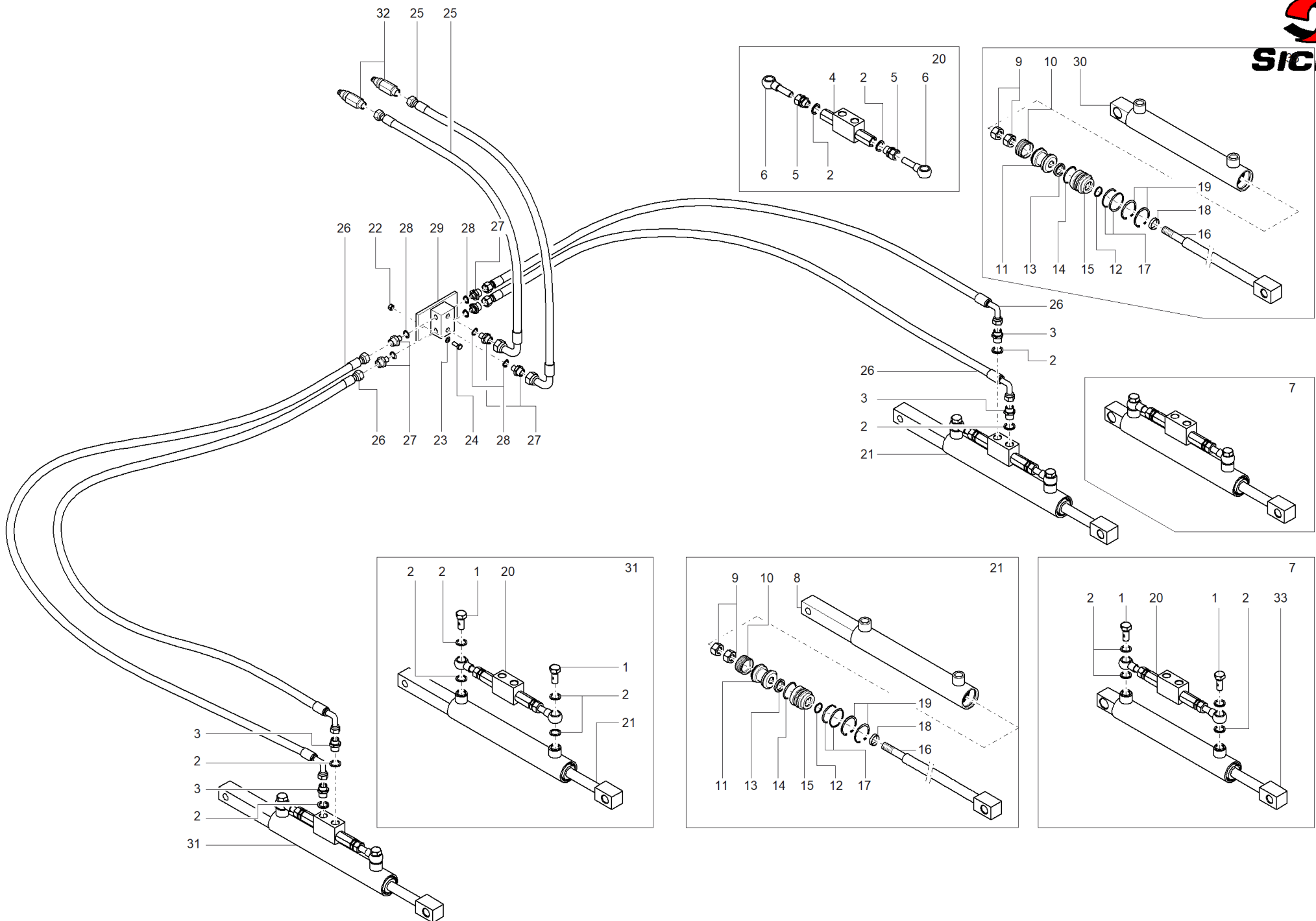
Group: LEVELLING BAR

Document ID: 902423003

Revision: 11\_01/10/2019 - 22/03/2021

Table: 12

Reference	P/N	Description	Model #	Quantity
1	3464101008	UNI7473 (coarse pitch) M8 zinc plated nut		1
2	3011108040	Screw UNI5737 8.8 M08x040 galvanised (coarse pitch)		1
3	4004163	RG crank coupling		1
4	6330536	Elastic pin Ø5x36 UNI6873 galvanised		1
5	6560006	Type-A greaser UNI7663 M6x1		1
6	4334001	RG/SP adjustment crank		1
7	4004158	RG external adjustment tube		1
8	4004162	RG register screw		1
9	4304010	M20 RG threaded pawl		1
10	4004159	RG internal adjustment tube		1
11	4004164	RG register bar		1
12	3011116120	Screw TE M16x120 UNI5737		1
13	3464101016	UNI7473 (coarse pitch) M16 zinc plated nut		1
14	4004169	RG bumper spring support		1
15	4214005	Bumper spring		1
16	3464101014	UNI7473 (coarse pitch) M14 zinc plated nut		1
17	4784000	Depth reader		1
18	3021114045	Screw UNI5739 8.8 M14x45 galvanised (coarse pitch)		1
19	3011114060	Screw TE M14x60 UNI5737		1
20	3021114035	Screw UNI5739 8.8 M14x35 galvanised (coarse pitch)		1
21	4004568	P right regulation support		1
22	4004569	P left regulation support		1
23	4004436	Levelling bar SP210	SPR/210	1
23	4004437	Levelling bar SP235	SPR/235	1
23	4004438	Levelling bar SP260	SPR/260	1
24	3011116130	Screw UNI5737 8.8 M16x130 galvanised (coarse pitch)		1
25	3625100016	Grower washer DIN1751 C70 Øi16 zinc plated		1
26	3424101016	UNI5588 M16 (coarse pitch) zinc plated nut		1
27	4784001	RG levelling bar rubber tampon		1
28	4534201	Boom fastening bush		1
29	4834003	Roller fastening clamp with levelling bar		1
30	3011114170	Screw UNI5737 8.8 M14x170 galvanised (coarse pitch)		1



Machine type: TILLER

Document ID: 902423003

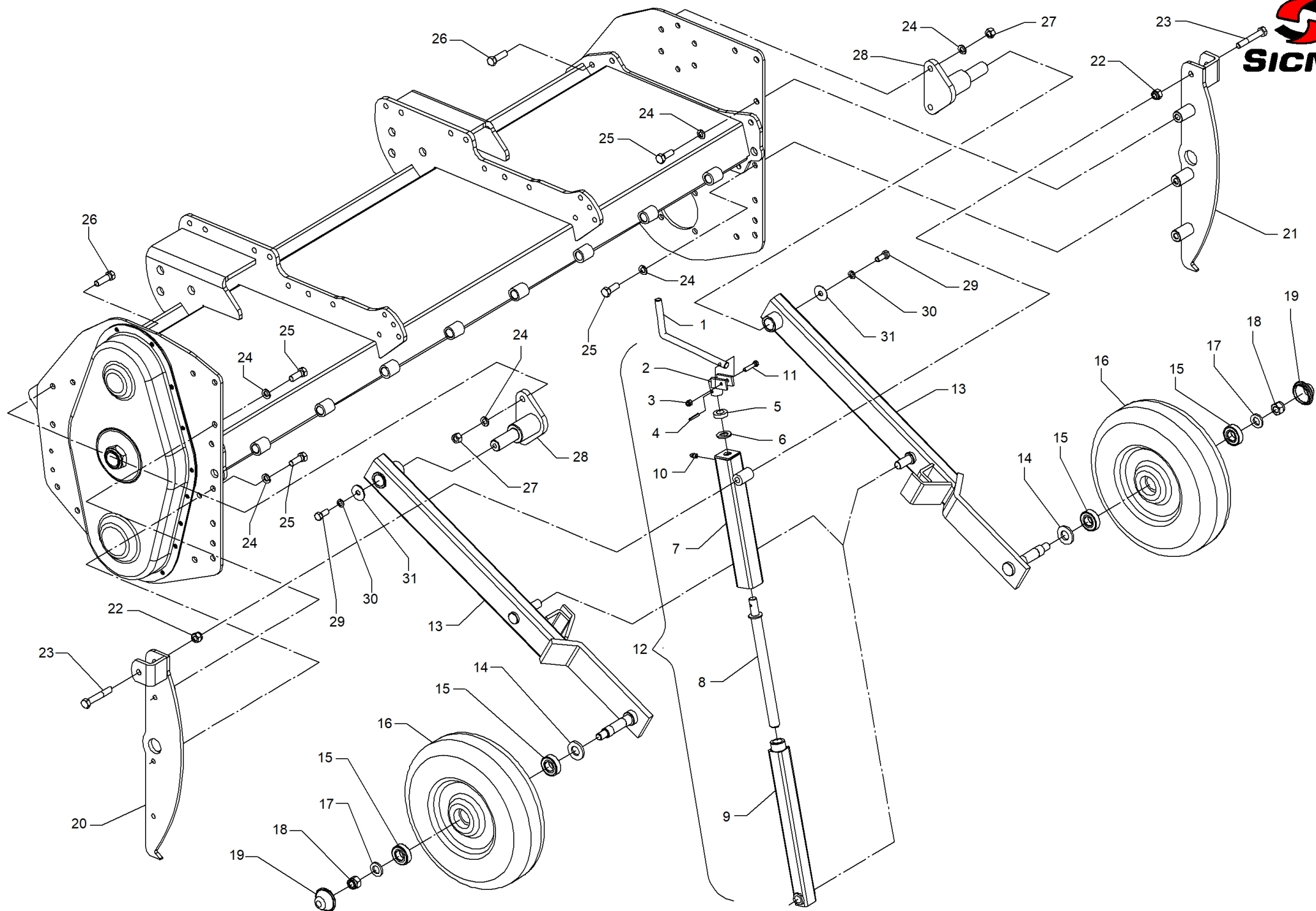
Model: SPR

Revision: 11\_01/10/2019 - 22/03/2021

Group: ROLLER HYDRAULIC SYSTEM

Table: 13

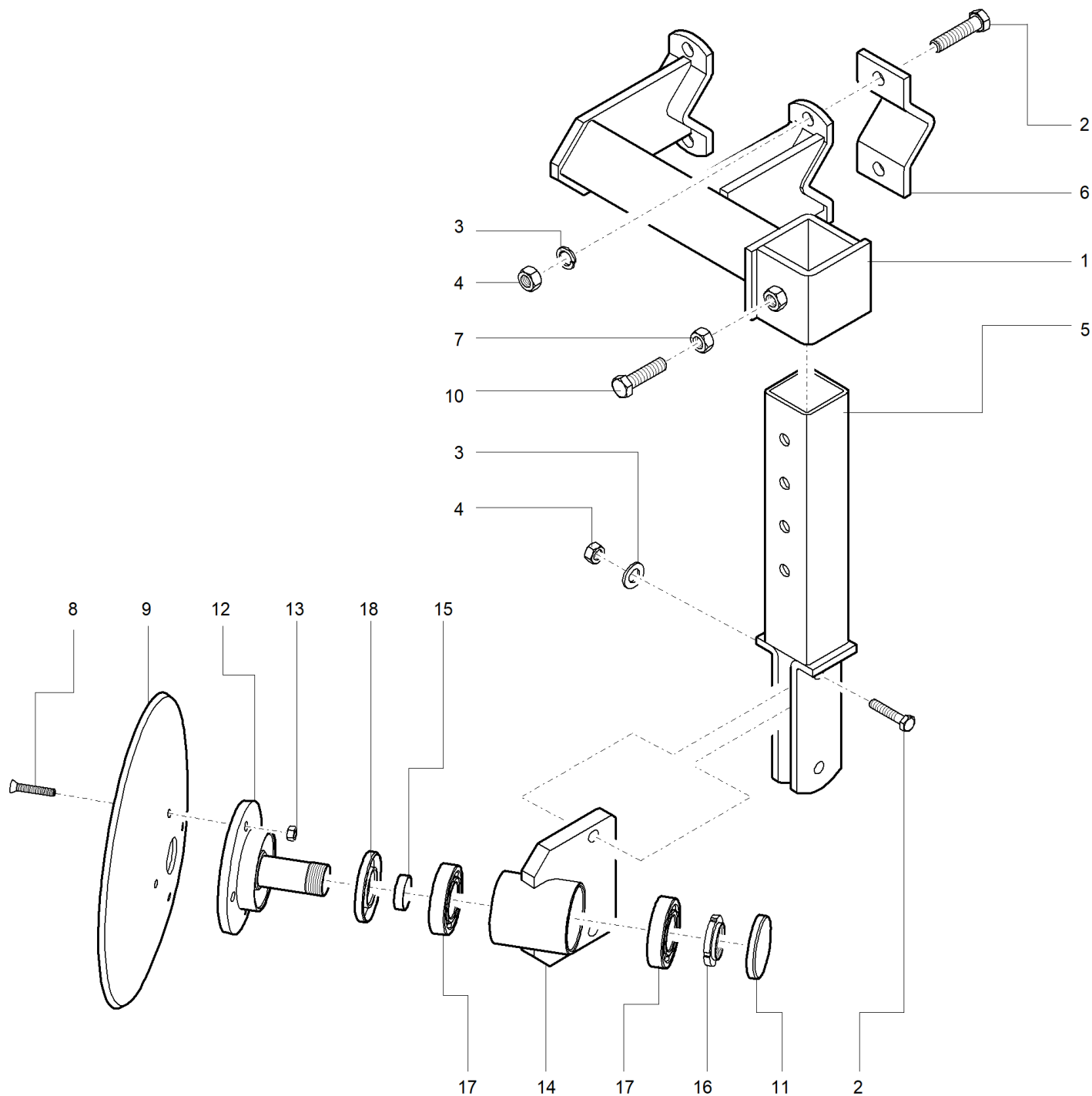
Reference	P/N	Description	Model #	Quantity
1	6237208	Perforated coupling BSPP 3/8"		3
2	6470038	Washer Cu 3/8		3
3	6420104	3/8" coupling nipple		3
4	6460038	Lock valve Øe3/8		0
5	6424038	3/8" straight threaded coupling		3
6	4004066	BSPP 3/8" weld-on eye		3
7	4004089	SP/RG roller lateral regulation piston		0
8	4004079	Central regulation jacket		0
9	3414101018	Nut M18 UNI5587		18
10	6838283	Gasket DBM196133		196133
11	5202373	TR/FB/TPSP/TRX piston		0
12	6836617	O-ring 617 2,62x17,86		0,617
13	6838029	Gasket B129098/1		0,129098
14	6836120	O-ring 2,62x25x30		0,12
15	5242372	FL10E/15E/-ETS/SD/.../TRX bearing holder ring		0
16	4004039	Rod Ø25		25
17	6836827	O-ring 617 2,62x17,86		0,827
18	6038325	WRM 098129 scraper		0,098129
19	6310053	Elastic ring Ø53 UNI7437 DIN472		53
20	4004087	Øe3/8" lock valve		0
21	4004069	RG roller central regulation piston		0
22	3414101010	UNI5587 M10 (coarse pitch) zinc plated nut		10
23	3625000010	Grower washer DIN1751 C70 Øi10		10
24	3021110030	Screw UNI5739 8.8 M10x30 galvanised (coarse pitch)		10
25	64122170	Rubber hose R1AT 3/8" FD+C90 L1700		1
26	64122150	Rubber hose R1At 3/8 Fd+C90° L1500	SPR/160•185	1
26	64122170	Rubber hose R1AT 3/8" FD+C90 L1700	SPR/210•235•260	1
27	6420411	3/8"-1/4" reduction nipple		3
28	6470014	Washer Cu 1/4		1
29	5003048	FL20E hydraulic distributor		0
30	4004038	Cylinder jacket		0
31	4004095	RG roller central regulation piston		0
32	6490038	Quick-Hitch 3/8"		0
33	4004037	Roller side regulation piston		0



Machine type: TILLER  
Model: SPR  
Group: REAR WHEELS

Document ID: 902423003  
Revision: 11\_01/10/2019 - 22/03/2021  
Table: 14

Reference	P/N	Description	Model #	Quantity
1	4334001	RG/SP adjustment crank		2
2	4005303	crank coupling		2
3	464101008	Nut ATB M8 UNI7473 high coarse pitch		2
4	6330536	Elastic pin Ø5x36 UNI6873 galvanised		2
5	4333039	VM/V1003/VSL little end oil seal bushing		2
6	3604100020	Flat washer UNI6592 140Hv Øi20 galvanised		2
7	4005353	External regulation pipe		2
8	4005350	Roller adjustment screw		2
9	4005351	Inner regulation pipe		2
10	6560006	Type-A greaser UNI7663 M6x1		2
11	3011108040	Screw UNI5737 8.8 M08x040 galvanised (coarse pitch)		2
12	4005356	Wheel regulation manual jack		2
13	4005329	Right/Left wheel boom		2
14	34018024	Flat washer 25x51x5		2
15	2226205	6205 2RS bearing		4
16	6600400	Wheel 400x100 Øi52		2
17	3604100018	Flat washer Ø18 UNI6592		2
18	3464102018	Nut ATB M18 UNI7473 fine pitch		2
19	6600052	Cup Ø52		2
20	4004441	Guide plate and left regulation support		1
21	4004442	Guide plate and right regulation support		1
22	3464101014	UNI7473 (coarse pitch) M14 zinc plated nut		2
23	3011114090	Screw TE M14x90 UNI5737		2
24	3625100014	Grower washer DIN1751 C70 Øi14 zinc plated		4
25	3021114040	Screw UNI5739 8.8 M14x40 galvanised (coarse pitch)		4
26	3011114055	Screw TE M14x55 UN I5737		4
27	3414101014	Nut M14 UNI5587 coarse pitch		4
28	4004444	Wheel boom hub		2
29	21112030	Screw TE M12x30 UNI5739		2
30	3625100012	Grower washer DIN1751 C70 Øi12 zinc plated		2
31	3614100012	Wide washer UNI6593 100Hv Øi12 galvanised		2

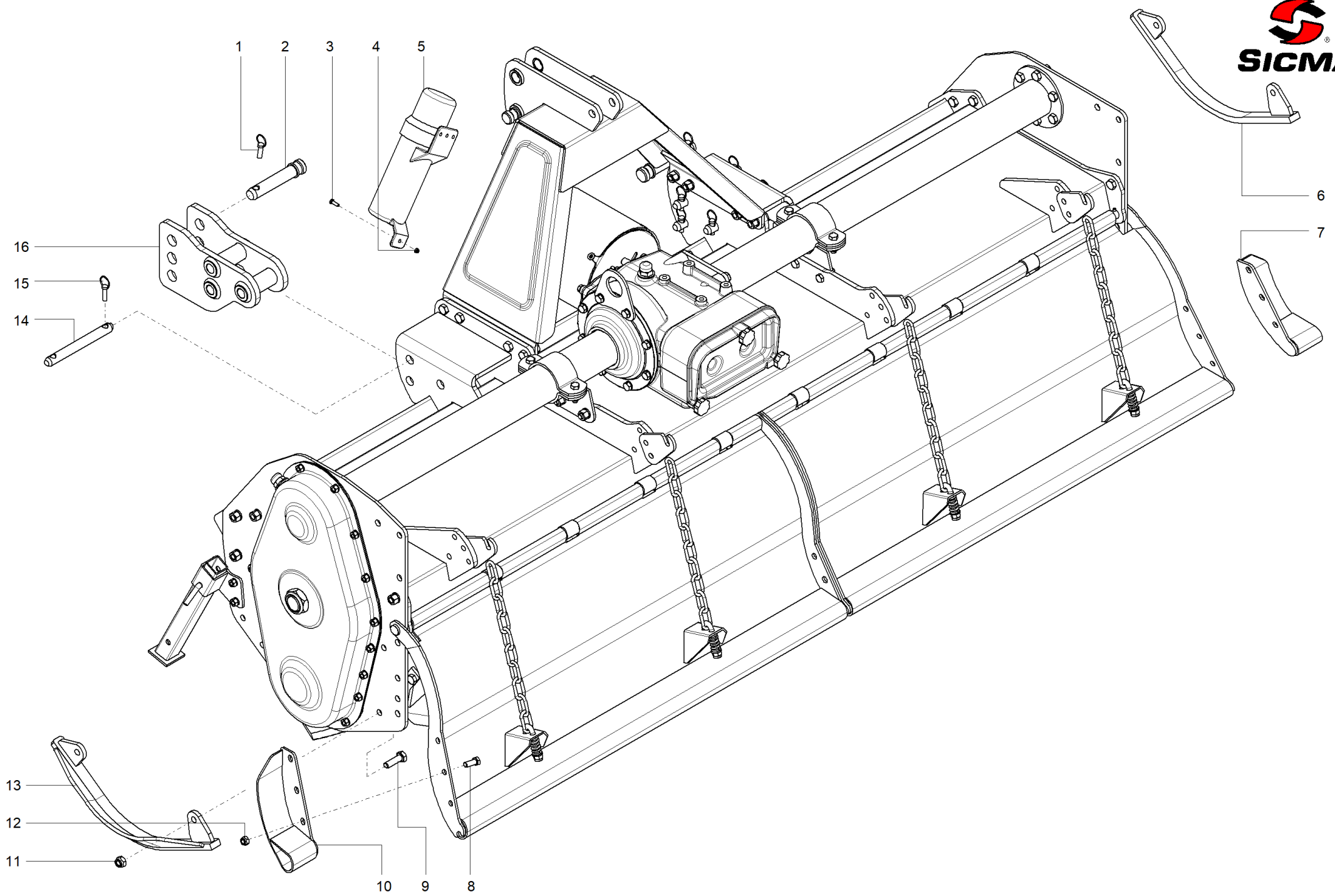




Machine type: TILLER  
Model: SPR  
Group: HARROW DISC

Document ID: 902423003  
Revision: 11\_01/10/2019 - 22/03/2021  
Table: 15

Reference	P/N	Description	Model #	Quantity
1	4004190	SP/RSP harrow disc support		2
2	3031114060	Screw UNI5738 8.8 M14x60 galvanised (fine pitch)		12
3	3625100014	Grower washer DIN1751 C70 Øi14 zinc plated		12
4	3414102014	UNI5587 M14 coarse pitch zinc plated nut		12
5	4004191	SM/SP harrow disc support		2
6	4834010	Clamp for square tubes of 70-80		4
7	3414101014	Nut M14 UNI5587 coarse pitch		2
8	3062212030	Screw UNI5933 10.9 M12x30 galvanised+D (coarse pitch)		8
9	4114001	RG lateral disc		2
10	3021114050	Screw UNI5739 8.8 M14x50 galvanised (coarse pitch)		2
11	6100072	Locking screw cap, Ø72 H=10		2
12	4004177	RG disc coupling hub		2
13	3464101010	UNI7473 (coarse pitch) M10 zinc plated nut		8
14	4004176	RG disc support		2
15	4534006	RG rotor blade box spacer		2
16	34126035	35x1.5 low self-locking ring		2
17	2730207	30207 bearing		4
18	6204572	Oil seal 45x72x10 PP DIN3760, AS type		2



Machine type: TILLER

Model: SPR

Group: EXTENSIONS, NARROW SLIDES, CANISTERS

Document ID: 902423003

Revision: 11\_01/10/2019 - 22/03/2021

Table: 16

Reference	P/N	Description	Model #	Quantity
1	6350010	Snap pin DIN11023 D10 galvanised		2
2	5304434	SPR/TRG 3rd point pin Ø28		2
3	3021108020	Screw UNI5739 8.8 M8x20 galvanised (coarse pitch)		2
4	3464101008	UNI7473 (coarse pitch) M8 zinc plated nut		2
5	6601601	Document holder container - large		1
6	4014415	SPR right external slide		1
7	4014418	SPR right lid lateral extension		1
8	3021112025	Screw UNI5739 8.8 M12x25 galvanised (coarse pitch)		6
9	3031114055	Screw TE M14x55 UNI5738 fine pitch		4
10	4014419	SPR left lid lateral extension		1
11	3464101014	UNI7473 (coarse pitch) M14 zinc plated nut		4
12	3464101012	UNI7473 (coarse pitch) M12 zinc plated nut		6
13	4014416	SPR left transmission side slide		1
14	4304202	SPR quick hitch swing boom regulating pin		4
15	6350010	Snap pin DIN11023 D10 galvanised		8
16	4014417	SPR lower 3rd point coupling		2