

Machine type: TILLER

Document ID: 902826002

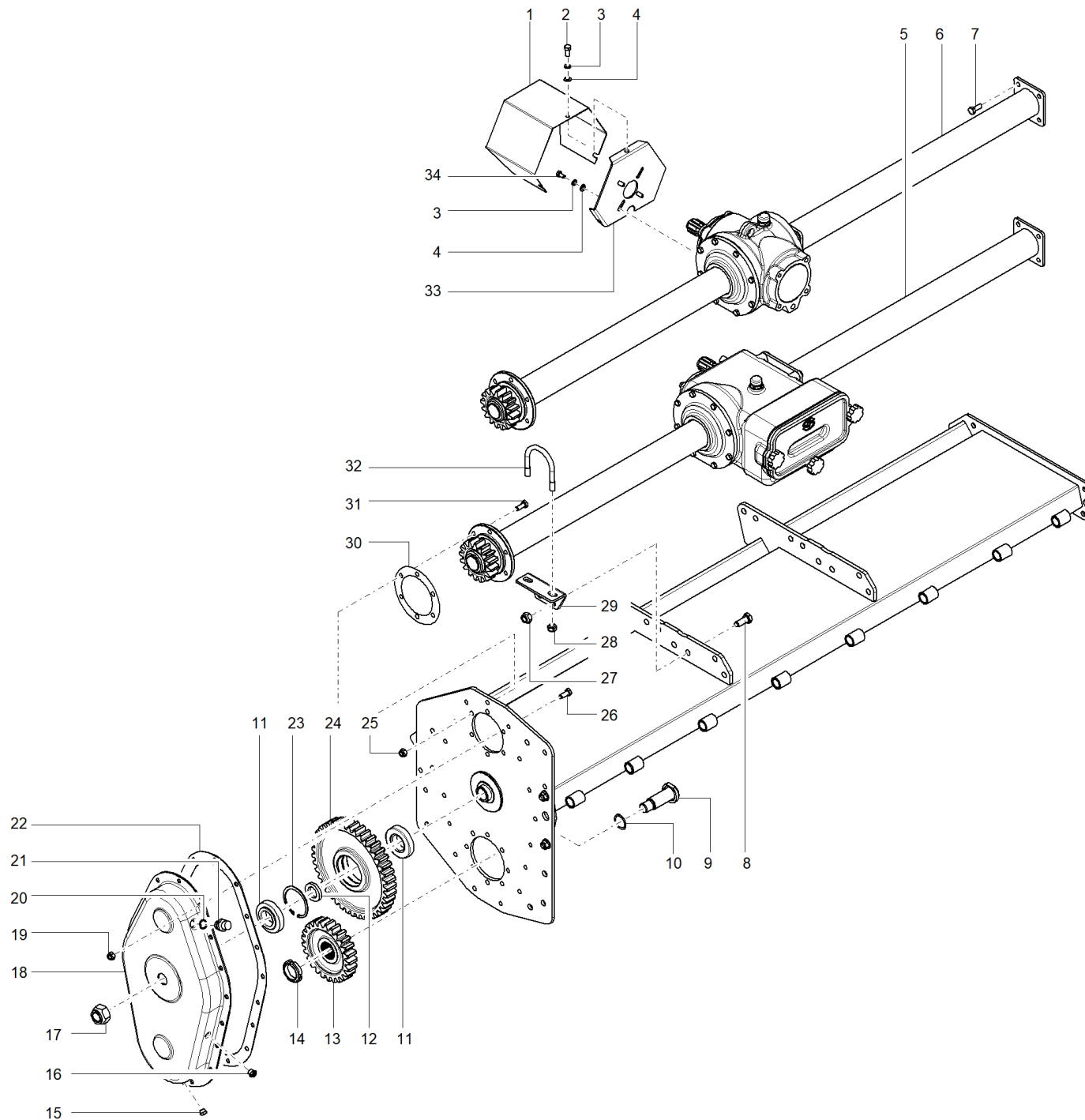
Model: RD

Revision: 08_01/01/2021 ->

Group: Frame and tractor hitches

Table: 01

Reference	P/N	Description	Model #	Quantity
1	3444101016	DIN980 self-locking 8 (coarse pitch) M16 zinc plated nut		6
2	4337006	Driveshafts hook		1
3	4002220	ST-JD/RD upper 3rd point coupling		1
4	3021108020	Screw UNI5739 8.8 M8x20 galvanised (coarse pitch)		1
5	5137068	RC/SA coupling support hook clip		1
6	4008697	SM-ST-RM-RD upper 3rd point		1
7	4002226	ST-RD right lower 3rd point coupling		1
8	4208292	SM/ST/RD/TRX/CST lower 3rd point pin		2
9	6351004	Split pin Ad R Ø4 galvanised		3
10	4302257	SM/RM/RD 3rd point tie		3
11	4932518	External side plate		1
12	3444101012	DIN980 self-locking 8 (coarse pitch) M12 zinc plated nut		8
13	3021112030	Screw UNI5739 8.8 M12x30 galvanised (coarse pitch)		8
14	4012500	Transmission plate		1
15	4012511	Frame	RD/110	1
15	4012512	Frame	RD/120	1
15	4012513	Frame	RD/135	1
15	4012514	Frame	RD/150	1
15	4012515	Frame	RD/160	1
15	4012516	Frame	RD/185	1
15	4012517	Frame	RD/210	1
16	3021114035	Screw UNI5739 8.8 M14x35 galvanised (coarse pitch)		8
17	3444101014	DIN980 self-locking 8 (coarse pitch) M14 zinc plated nut		8
18	3464101008	UNI7473 (coarse pitch) M8 zinc plated nut		1
19	4002227	ST-RD left lower 3rd point coupling		1
20	4309180	TSN/.../ML/VP/RD/...upper 3rd point pin		1
21	8820014	2-point coupling kit		1
22	3464101010	UNI7473 (coarse pitch) M10 zinc plated nut		4
23	4202201	SM/ST 2 point coupling half-coupling spacer		1
24	3625100010	Grower washer DIN1751 C70 Øi10 zinc plated		4
25	3011110070	Screw TE M10X70 UNI5737		4
26	4705271	Ø14 mm shackle		4
27	4502001	2nd point coupling lifting chain		2
28	4705061	Roller pin Ø18		2
29	4002256	ST 2nd point coupling		1
30	6601601	Document holder container - large		1
30	6601603	Document holder container - small		1
31	3604100008	Flat washer UNI6592 140Hv Øi08 galvanised		2
32	3021108020	Screw UNI5739 8.8 M8x20 galvanised (coarse pitch)		2



Machine type: TILLER

Model: RD

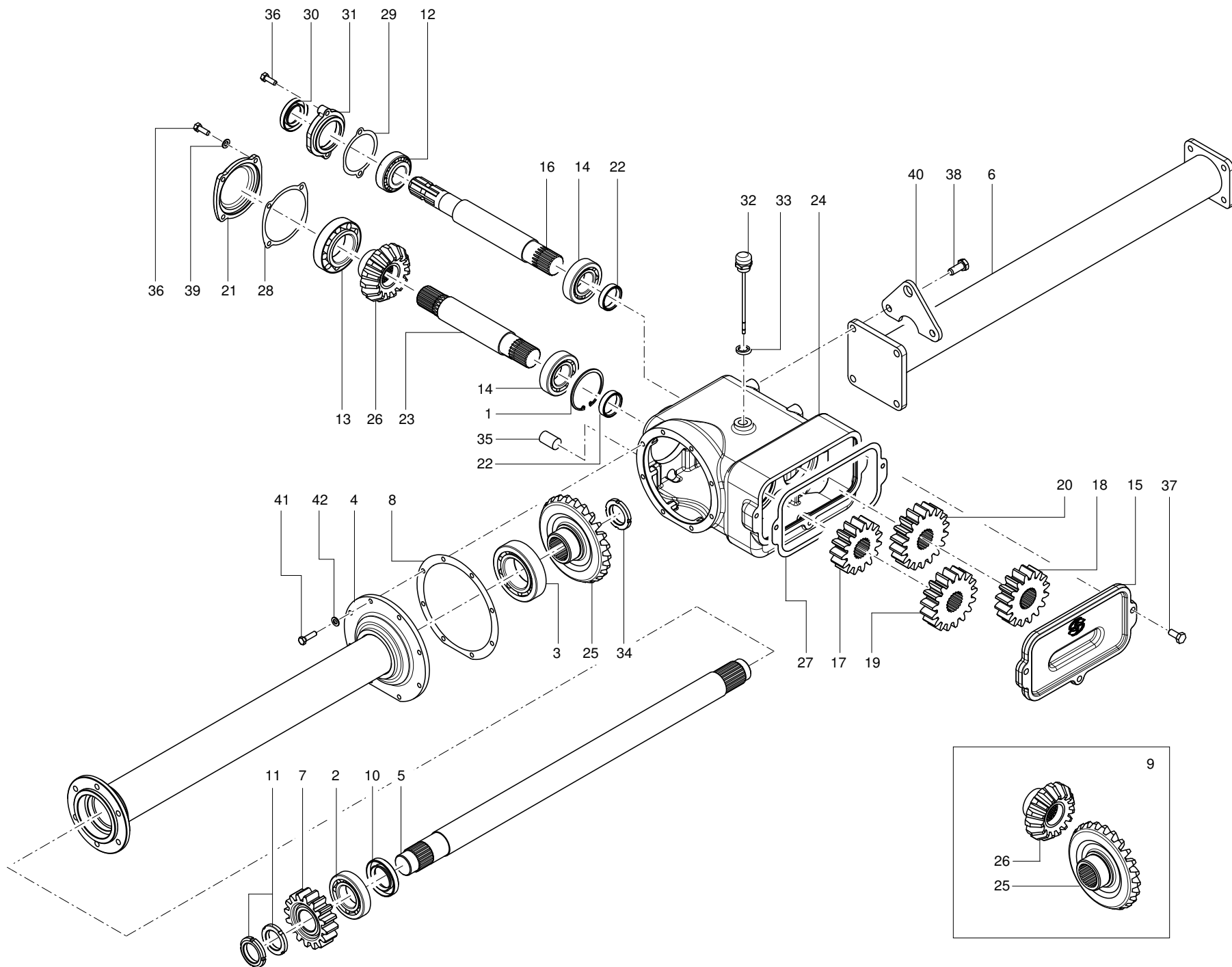
Group: DRIVE

Document ID: 902826002

Revision: 08_01/01/2021 ->

Table: 02

Reference	P/N	Description	Model #	Quantity
1	4138034	RM/RD/CST/RC coupling protection		1
2	3021108020	Screw UNI5739 8.8 M8x20 galvanised (coarse pitch)		3
3	3625100008	Grower washer DIN1751 C70 Øi8 zinc plated		7
4	3604100008	Flat washer UNI6592 140Hv Øi08 galvanised		7
5	8826001	Gearbox + extensions RD110 (speed change)	RD/110	1
5	8826002	Gearbox + extensions RD120 (speed change)	RD/120	1
5	8826003	Gearbox + extensions RD135 (speed change)	RD/135	1
5	8826004	Gearbox + extensions RD150 (speed change)	RD/150	1
5	8826005	Gearbox + extensions RD160 (speed change)	RD/160	1
5	8826006	Gearbox + extensions RD185 (speed change)	RD/185	1
5	8826007	Gearbox + extensions RD210 (speed change)	RD/210	1
6	8826014	Gearbox + extensions RD110 (1 speed)	RD/110	1
6	8826015	Gearbox + extensions RD120 (1 speed)	RD/120	1
6	8826016	Gearbox + extensions RD135 (1 speed)	RD/135	1
6	8826017	Gearbox + extensions RD150 (1 speed)	RD/150	1
6	8826018	Gearbox + extensions RD160 (1 speed)	RD/160	1
6	8826019	Gearbox + extensions RD185 (1 speed)	RD/185	1
6	8826020	Gearbox + extensions RD210 (1 speed)	RD/210	1
6	8826021	Gearbox + extensions RD110 (1 speed, anti-clockwise)	RD/110	1
6	8826022	Gearbox + extensions RD120 (1 speed, anti-clockwise)	RD/120	1
6	8826023	Gearbox + extensions RD135 (1 speed, anti-clockwise)	RD/135	1
6	8826024	Gearbox + extensions RD150 (1 speed, anti-clockwise)	RD/150	1
6	8826025	Gearbox + extensions RD160 (1 speed, anti-clockwise)	RD/160	1
6	8826026	Gearbox + extensions RD185 (1 speed, anti-clockwise)	RD/185	1
6	8826027	Gearbox + extensions RD210 (1 speed, anti-clockwise)	RD/210	1
7	3021110030	Screw UNI5739 8.8 M10x30 galvanised (coarse pitch)		4
8	3021114035	Screw UNI5739 8.8 M14x35 galvanised (coarse pitch)		4
9	4208020	SH/RD/CST transmission gear pivot		1
10	6800030	O-ring 217 29,75x3,53		1
11	2730208	30208 bearing		2
12	4592548	RD transmission gear spacer		1
13	4728020	Z25 M6 RD driven gear		1
14	3514201035	M35x1.5 heavy self-locking ring galvanised		1
15	3441014	14X1.5 conical cap (hexagon head)		1
16	3444114	M14x1.5 conical porthole cap without washer		1
17	3474102024	UNI7474 Hmax 21mm fine pitch M24 zinc plated nut		1
18	4002501	RD transmission crankcase		1
19	3444101010	DIN980 self-locking 8 (coarse pitch) M10 zinc plated nut		17
20	6800018	O-ring 116 18.72x2,62		1
21	3442022	M22x1.5 valve cap		1
22	4788218	Transmission crankcase seal		1
23	6310080	Elastic ring Ø80 UNI7437 DIN472		1
24	4728019	Z41 M6 RD idler gear		1
25	3464101010	UNI7473 (coarse pitch) M10 zinc plated nut		6
26	3021110025	Screw UNI5739 8.8 M10x25 galvanised (coarse pitch)		17
27	3464101014	UNI7473 (coarse pitch) M14 zinc plated nut		4
28	3464101012	UNI7473 (coarse pitch) M12 zinc plated nut		4
29	4132189	RD fastening tie angle		2
30	4788216	Transmission support seal		1
31	3021112030	Screw UNI5739 8.8 M12x30 galvanised (coarse pitch)		6
32	4302101	RD/CST extension fastening M12 tie		2
33	4138036	EZ70 RM/RD/CST/RC coupling protection		1
34	3021108030	Screw UNI5739 8.8 M8x30 galvanised (coarse pitch)		7



Machine type: TILLER

Document ID: 902826002

Model: RD

Revision: 08_01/01/2021 ->

Group: GEARBOX WITH SPEED CHANGE

Table: 03

Reference	P/N	Description	Model #	Quantity
1	6310080	Elastic ring Ø80 UNI7437 DIN472		1
2	2732209	32209 bearing with conical rollers		1
3	2732212	32212 bearing with conical rollers		1
4	4002521	Transmission extension	RD/110	1
4	4002522	Transmission extension	RD/120	1
4	4002523	Transmission extension	RD/135	1
4	4002524	Transmission extension	RD/150	1
4	4002525	Transmission extension	RD/160	1
4	4002526	Transmission extension	RD/185	1
4	4002527	Transmission extension	RD/210	1
5	4212501	RD110 extension shaft	RD/110	1
5	4212502	RD120 extension shaft	RD/120	1
5	4212503	RD135 extension shaft	RD/135	1
5	4212504	RD150 extension shaft	RD/150	1
5	4212505	RD160 extension shaft	RD/160	1
5	4212506	RD185 extension shaft	RD/185	1
5	4212507	RD210 extension shaft	RD/210	1
6	4002531	External side support	RD/110	1
6	4002532	External side support	RD/120	1
6	4002533	External side support	RD/135	1
6	4002534	External side support	RD/150	1
6	4002535	RD160 external side support	RD/160	1
6	4002536	RD185 external side support	RD/185	1
6	4002537	RD210 external side support	RD/210	1
7	4728024	Z16 M6 RD driving gear		1
8	20850-05	EZ70 extension flange seal		1
9	80050-15	EZ70 bevel gear kit R.1.6:1		1
10	6204562	Oil seal 45x62x10 PP DIN3760, AS type		1
11	34008040	M40x1.5 DIN981 locking ring		2
12	2732207	32207 bearing with conical rollers		1
13	2732211	32211 bearing with conical rollers		1
14	2732208	32208 bearing with conical rollers		2
15	16750-01	EZ70 RM/RD/CST aluminium lid		1
16	12250-05	PTO EZ70 RM/RD/CST shaft		1
17	12250-02	Z16 EZ70 RM/RD/CST gear		1
18	12250-04	Z18 EZ70 RM/RD/CST gear		1
19	12250-01	Z15 EZ70 RM/RD/CST gear		1
20	12250-03	Z17 EZ70 RM/RD/CST gear		1
21	17050-01	EZ70 RM/RD/CST conical sprocket support		1
22	25450-02	Gear spacer		2
23	12150-01	EZ70 RM/RD/CST sprocket shaft		1
24	16550-01	EZ70 RM/RD/CST bevel gear crankcase		1
25	17250-02	Z24 M=7.1 EZ70 RM/RD/CST conical crown		1
26	17250-01	Z15 EZ70 RM/RD/CST conical sprocket		1
27	17850-01	EZ70 Flat rubber seal thickness3		1
28	20850-01	EZ70 sprocket lid seal, thickness 0.2		1
28	20850-02	EZ70 sprocket lid seal, thickness 0.3		1
28	20850-03	EZ70 sprocket lid seal, thickness 0.5		1
29	20850-04	PTO EZ70 lid seal thickness 0.5		1
30	6203562	Oil seal 35x62x10 PP DIN3760, AS type		1
31	17050-02	PTO EZ70 RM/RD/CST shaft support		1
32	25250-01	M22x1.5 L=150 vent cap with level rod		1
33	6470118	Washer M18 (Al/Cu)		1
34	34126040	40x1.5 low self-locking ring		1
35	3441022	22x1.5 conical cap hexagon 17		1
36	3022108025	Screw UNI5739 10.9 M8x25 galvanised (coarse pitch)		14
37	3011110045	Screw UNI5737 8.8 M10x045 galvanised (coarse pitch)		3
38	3021112030			4
39	3625100008	Grower washer DIN1751 C70 Øi8 zinc plated		6
40	4937921	RM EZ70 lifting hook coupling		1

Machine type: TILLER

Model: RD

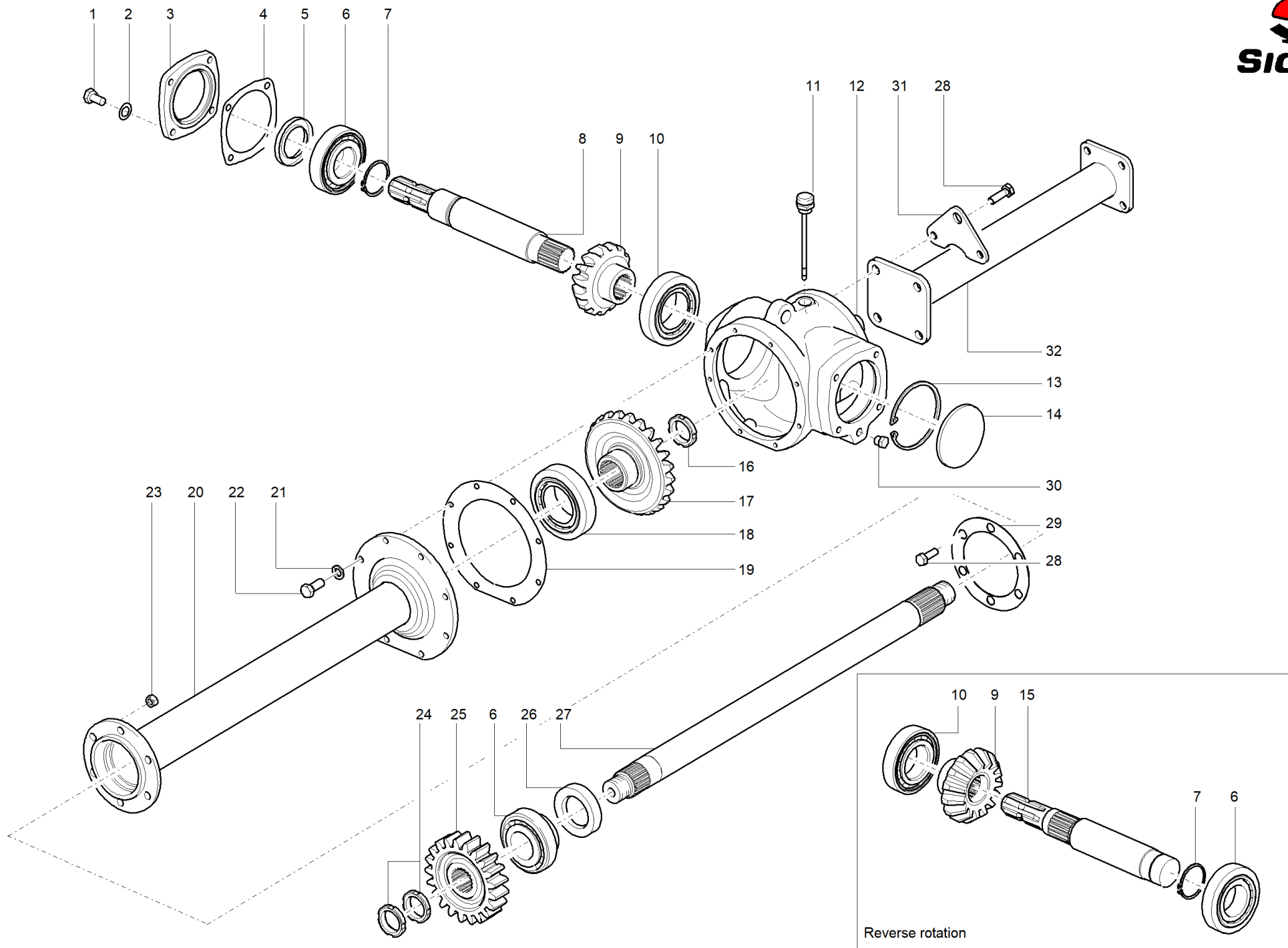
Group: GEARBOX WITH SPEED CHANGE

Document ID: 902826002

Revision: 08 _01/01/2021 ->

Table: 03

Reference	P/N	Description	Model #	Quantity
41	3021110025	Screw UNI5739 8.8 M10x25 galvanised (coarse pitch)		6
42	3625100010	Grower washer DIN1751 C70 Øi10 zinc plated		6



Machine type: TILLER

Document ID: 902826002

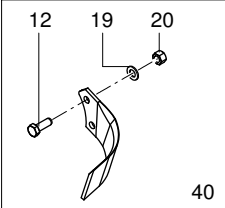
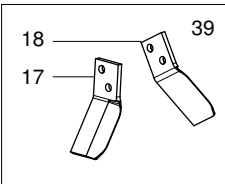
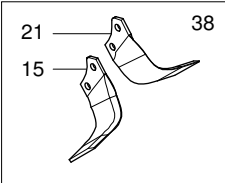
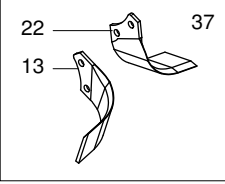
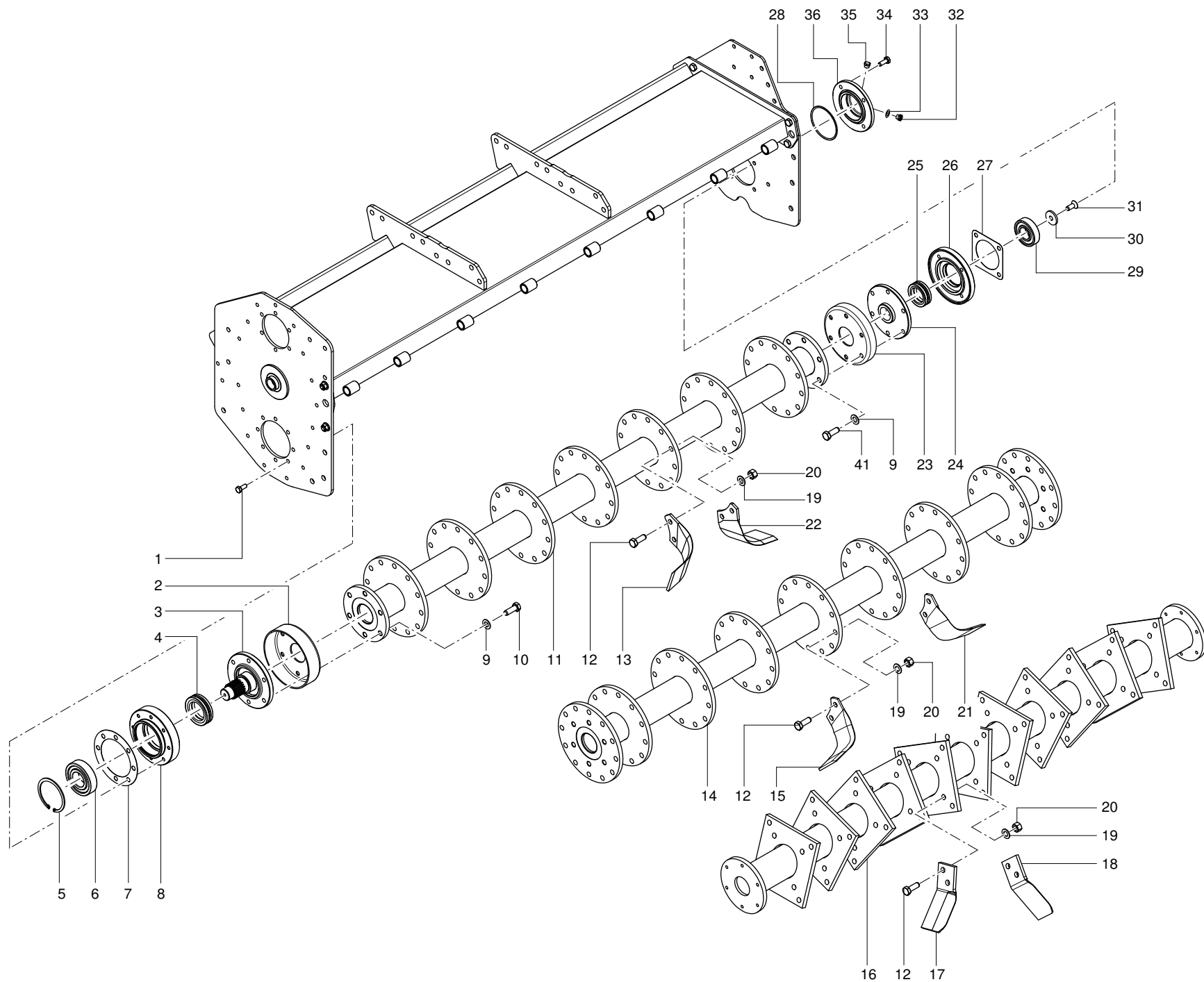
Model: RD

Revision: 08_01/01/2021 ->

Group: GEARBOX WITHOUT SPEED CHANGE

Table: 04

Reference	P/N	Description	Model #	Quantity
1	3021110030	Screw UNI5739 8.8 M10x30 galvanised (coarse pitch)		4
2	3625000010	Grower washer DIN1751 C70 Øi10		4
3	19350-01	EZ70 RM/RD gearbox lid		1
4	20850-10	PTO EZ70 lid seal without gearbox		1
5	6204580	45x80x10 PP DIN3760 AS-type oil seal		1
6	2030309	30309 bearing		2
7	6320045	Elastic ring Ø45 UNI7435 DIN471		1
8	12150-10	PTO EZ70 RM/RD shaft		1
9	17250-01	Z15 EZ70 RM/RD/CST conical sprocket		1
10	2732211	32211 bearing with conical rollers		1
11	25250-01	M22x1.5 L=150 vent cap with level rod		1
12	16550-03	1-speed RM/RD bevel gear crankcase		1
13	6310100	Elastic ring Ø100 UNI7437 DIN472		1
14	61001000	Cap Ø100		1
15	12150-11	Shaft PTO EZ70 RM/RD 1 speed anti-clockwise		1
16	34126040	40x1.5 low self-locking ring		1
17	17250-02	Z24 M=7.1 EZ70 RM/RD/CST conical crown		1
18	2732212	32212 bearing with conical rollers		1
19	20850-05	EZ70 extension flange seal		1
20	4002541	Shaft support	RD/110	1
20	4002542	Shaft support	RD/120	1
20	4002543	Shaft support	RD/135	1
20	4002544	Shaft support	RD/150	1
20	4002545	Transmission extension RD160 1 speed	RD/160	1
20	4002546	Transmission extension RD185 1 speed	RD/185	1
20	4002547	Transmission extension RD210 1 speed	RD/210	1
21	3645200008	Schnorr washer Cl.10 Ø08 galvanized		8
22	3022108025	Screw UNI5739 10.9 M8x25 galvanised (coarse pitch)		8
23	3444101010	DIN980 self-locking 8 (coarse pitch) M10 zinc plated nut		6
24	34008040	M40x1.5 DIN981 locking ring		2
25	4728024	Z16 M6 RD driving gear		1
26	6204572	Oil seal 45x72x10 PP DIN3760, AS type		1
27	4212511	RD110 extension shaft without gearbox	RD/110	1
27	4212512	RD120 extension shaft without gearbox	RD/120	1
27	4212513	RD135 extension shaft without gearbox	RD/135	1
27	4212514	RD150 extension shaft without gearbox	RD/150	1
27	4212515	RD160 extension shaft without gearbox	RD/160	1
27	4212516	RD185 extension shaft without gearbox	RD/185	1
27	4212517	RD210 extension shaft without gearbox	RD/210	1
28	3021110030	Screw UNI5739 8.8 M10x30 galvanised (coarse pitch)		6
29	4788216	Transmission support seal		1
30	3441014	14X1.5 conical cap (hexagon head)		1
31	4937921	RM EZ70 lifting hook coupling		1
32	4002531	External side support	RD/110	1
32	4002532	External side support	RD/120	1
32	4002533	External side support	RD/135	1
32	4002534	External side support	RD/150	1
32	4002535	RD160 external side support	RD/160	1
32	4002536	RD185 external side support	RD/185	1
32	4002537	RD210 external side support	RD/210	1



Machine type: TILLER

Document ID: 902826002ROTORE E UTENSILI

Model: RD

Revision: 08_01/01/2021 ->

Group: ROTOR AND TOOLS

Table: 05

Reference	P/N	Description	Model #	Quantity
1	3021110025	Screw UNI5739 8.8 M10x25 galvanised (coarse pitch)		8
2	4148040	RM/RD/CST/TZF dust cover lid		1
3	4728703	CST/RM/RD driven gear hub		1
4	6203707	GNL IM5470 transmission side support oil seal		1
5	6310100	Elastic ring Ø100 UNI7437 DIN472		1
6	2106309	6309 bearing		1
7	4788217	Driven gear seal		1
8	4708702	RM/RD/CST duct gear hub support		1
9	3635000012	Grower Washer Ø12 FIAT 10188		12
10	3022112035	Screw UNI5739 10.9 M12x35 galvanised (coarse pitch)		6
11	4002127	SD/RD135 rotor	RD/135	1
11	4002194	RD110 rotor	RD/110	1
11	4002195	RD120 rotor	RD/120	1
11	4002128	SD/RD150 rotor	RD/150	1
11	4002131	SD/RD210 rotor	RD/210	1
11	4002130	SD/RD185 rotor	RD/185	1
11	4002129	SD-RD160 rotor	RD/160	1
12	3131114040	Tines screw M14x40 8.8 fil.20 galvanised (fine pit	RD/110 (4 zappe)	32
12	3131114040	Tines screw M14x40 8.8 fil.20 galvanised (fine pit	RD/120•135 (4 zappe)	40
12	3131114040	Tines screw M14x40 8.8 fil.20 galvanised (fine pit	RD/150•160 (4 zappe)	48
12	3131114040	Tines screw M14x40 8.8 fil.20 galvanised (fine pit	RD/185 (4 zappe)	56
12	3131114040	Tines screw M14x40 8.8 fil.20 galvanised (fine pit	RD/210 (4 zappe)	64
12	3131114040	Tines screw M14x40 8.8 fil.20 galvanised (fine pit	RD/110 (6 zappe)	48
12	3131114040	Tines screw M14x40 8.8 fil.20 galvanised (fine pit	RD/120•135 (6 zappe)	60
12	3131114040	Tines screw M14x40 8.8 fil.20 galvanised (fine pit	RD/150•160 (6 zappe)	72
12	3131114040	Tines screw M14x40 8.8 fil.20 galvanised (fine pit	RD/185 (6 zappe)	84
12	3131114040	Tines screw M14x40 8.8 fil.20 galvanised (fine pit	RD/210 (6 zappe)	96
12	3131114040	Tines screw M14x40 8.8 fil.20 galvanised (fine pit	RD/160 (lame)	48
12	3131114040	Tines screw M14x40 8.8 fil.20 galvanised (fine pit	RD/185 (lame)	56
12	3131114040	Tines screw M14x40 8.8 fil.20 galvanised (fine pit	RD/210 (lame)	64
13	4812425S	RD/SD/SH curved hoe (in 10x box)	RD/110 (4 zappe)	8
13	4812425S	RD/SD/SH curved hoe (in 10x box)	RD/120•135 (4 zappe)	10
13	4812425S	RD/SD/SH curved hoe (in 10x box)	RD/150•160 (4 zappe)	12
13	4812425S	RD/SD/SH curved hoe (in 10x box)	RD/185 (4 zappe)	14
13	4812425S	RD/SD/SH curved hoe (in 10x box)	RD/210 (4 zappe)	16
13	4812425S	RD/SD/SH curved hoe (in 10x box)	RD/110 (6 zappe)	12
13	4812425S	RD/SD/SH curved hoe (in 10x box)	RD/120•135 (6 zappe)	15
13	4812425S	RD/SD/SH curved hoe (in 10x box)	RD/150•160 (6 zappe)	18
13	4812425S	RD/SD/SH curved hoe (in 10x box)	RD/185 (6 zappe)	21
13	4812425S	RD/SD/SH curved hoe (in 10x box)	RD/210 (6 zappe)	24
14	4007348	SH/RD210 closed rotor	RD/210	1
14	4007345	SH/RD135 closed rotor	RD/135	1
14	4007349	SH150 closed rotor	RD/150	1
14	4007346	SH/RD160 closed rotor	RD/160	1
14	4007347	SH/RD185 closed rotor	RD/185	1
15	4812427S	RD/SD/SH squared hoe (in 10x box)	RD/110 (4 zappe)	8
15	4812427S	RD/SD/SH squared hoe (in 10x box)	RD/120•135 (4 zappe)	10
15	4812427S	RD/SD/SH squared hoe (in 10x box)	RD/150•160 (4 zappe)	12
15	4812427S	RD/SD/SH squared hoe (in 10x box)	RD/185 (4 zappe)	14
15	4812427S	RD/SD/SH squared hoe (in 10x box)	RD/210 (4 zappe)	16
15	4812427S	RD/SD/SH squared hoe (in 10x box)	RD/110 (6 zappe)	12
15	4812427S	RD/SD/SH squared hoe (in 10x box)	RD/120•135 (6 zappe)	15
15	4812427S	RD/SD/SH squared hoe (in 10x box)	RD/150•160 (6 zappe)	18
15	4812427S	RD/SD/SH squared hoe (in 10x box)	RD/185 (6 zappe)	21
15	4812427S	RD/SD/SH squared hoe (in 10x box)	RD/210 (6 zappe)	24
16	4002167	ST160/SM160 rotor for blades	RD/160	1
16	4002168	ST185/SM185 rotor for blades	RD/185	1
16	4002169	ST210/SM210 rotor for blades	RD/210	1
16	4002201	Rotor	RD/135	1
17	4818195	RSM (2 holes) knives	RD/160 (lame)	12

Machine type: TILLER

Document ID: 902826002ROTORE E UTENSILI

Model: RD

Revision: 08_01/01/2021 ->

Group: ROTOR AND TOOLS

Table: 05

Reference	P/N	Description	Model #	Quantity
17	4818195	RSM (2 holes) knives	RD/185 (lame)	14
17	4818195	RSM (2 holes) knives	RD/210 (lame)	16
18	4818194	RSM (2 holes) knives	RD/160 (lame)	12
18	4818194	RSM (2 holes) knives	RD/185 (lame)	14
18	4818194	RSM (2 holes) knives	RD/210 (lame)	16
19	3635100014	Grower washer Fiat 10188 C70 Øi14 zinc plated	RD/110 (4 zappe)	32
19	3635100014	Grower washer Fiat 10188 C70 Øi14 zinc plated	RD/120•135 (4 zappe)	40
19	3635100014	Grower washer Fiat 10188 C70 Øi14 zinc plated	RD/150•160 (4 zappe)	48
19	3635100014	Grower washer Fiat 10188 C70 Øi14 zinc plated	RD/185 (4 zappe)	56
19	3635100014	Grower washer Fiat 10188 C70 Øi14 zinc plated	RD/210 (4 zappe)	64
19	3635100014	Grower washer Fiat 10188 C70 Øi14 zinc plated	RD/110 (6 zappe)	48
19	3635100014	Grower washer Fiat 10188 C70 Øi14 zinc plated	RD/120•135 (6 zappe)	60
19	3635100014	Grower washer Fiat 10188 C70 Øi14 zinc plated	RD/150•160 (6 zappe)	72
19	3635100014	Grower washer Fiat 10188 C70 Øi14 zinc plated	RD/185 (6 zappe)	84
19	3635100014	Grower washer Fiat 10188 C70 Øi14 zinc plated	RD/210 (6 zappe)	96
19	3635100014	Grower washer Fiat 10188 C70 Øi14 zinc plated	RD/160 (lame)	48
19	3635100014	Grower washer Fiat 10188 C70 Øi14 zinc plated	RD/185 (lame)	56
19	3635100014	Grower washer Fiat 10188 C70 Øi14 zinc plated	RD/210 (lame)	64
20	3414102014	UNI5587 M14 coarse pitch zinc plated nut	RD/110 (4 zappe)	32
20	3414102014	UNI5587 M14 coarse pitch zinc plated nut	RD/120•135 (4 zappe)	40
20	3414102014	UNI5587 M14 coarse pitch zinc plated nut	RD/150•160 (4 zappe)	48
20	3414102014	UNI5587 M14 coarse pitch zinc plated nut	RD/185 (4 zappe)	56
20	3414102014	UNI5587 M14 coarse pitch zinc plated nut	RD/210 (4 zappe)	64
20	3414102014	UNI5587 M14 coarse pitch zinc plated nut	RD/110 (6 zappe)	48
20	3414102014	UNI5587 M14 coarse pitch zinc plated nut	RD/120•135 (6 zappe)	60
20	3414102014	UNI5587 M14 coarse pitch zinc plated nut	RD/150•160 (6 zappe)	72
20	3414102014	UNI5587 M14 coarse pitch zinc plated nut	RD/185 (6 zappe)	84
20	3414102014	UNI5587 M14 coarse pitch zinc plated nut	RD/210 (6 zappe)	96
20	3414102014	UNI5587 M14 coarse pitch zinc plated nut	RD/160 (lame)	48
20	3414102014	UNI5587 M14 coarse pitch zinc plated nut	RD/185 (lame)	56
20	3414102014	UNI5587 M14 coarse pitch zinc plated nut	RD/210 (lame)	64
21	4812428S	RD/SD/SH squared hoe (in 10x box)	RD/110 (4 zappe)	8
21	4812428S	RD/SD/SH squared hoe (in 10x box)	RD/120•135 (4 zappe)	10
21	4812428S	RD/SD/SH squared hoe (in 10x box)	RD/150•160 (4 zappe)	12
21	4812428S	RD/SD/SH squared hoe (in 10x box)	RD/185 (4 zappe)	14
21	4812428S	RD/SD/SH squared hoe (in 10x box)	RD/210 (4 zappe)	16
21	4812428S	RD/SD/SH squared hoe (in 10x box)	RD/110 (6 zappe)	12
21	4812428S	RD/SD/SH squared hoe (in 10x box)	RD/120•135 (6 zappe)	15
21	4812428S	RD/SD/SH squared hoe (in 10x box)	RD/150•160 (6 zappe)	18
21	4812428S	RD/SD/SH squared hoe (in 10x box)	RD/185 (6 zappe)	21
21	4812428S	RD/SD/SH squared hoe (in 10x box)	RD/210 (6 zappe)	24
22	4812426S	RD/SD/SH curved hoe (in 10x box)	RD/110 (4 zappe)	8
22	4812426S	RD/SD/SH curved hoe (in 10x box)	RD/120•135 (4 zappe)	10
22	4812426S	RD/SD/SH curved hoe (in 10x box)	RD/150•160 (4 zappe)	12
22	4812426S	RD/SD/SH curved hoe (in 10x box)	RD/185 (4 zappe)	14
22	4812426S	RD/SD/SH curved hoe (in 10x box)	RD/210 (4 zappe)	16
22	4812426S	RD/SD/SH curved hoe (in 10x box)	RD/110 (6 zappe)	12
22	4812426S	RD/SD/SH curved hoe (in 10x box)	RD/120•135 (6 zappe)	15
22	4812426S	RD/SD/SH curved hoe (in 10x box)	RD/150•160 (6 zappe)	18
22	4812426S	RD/SD/SH curved hoe (in 10x box)	RD/185 (6 zappe)	21
22	4812426S	RD/SD/SH curved hoe (in 10x box)	RD/210 (6 zappe)	24
23	4148030	RM/RD/CST ext. dust cover lid		1
24	4708249	Rotor support hub		1
25	6205300	GNL JD5300 oil seal		1
26	4708239	GNL SH/CST/RM/RD external support		1
27	4788219	External support seal		1
28	6800094	O-ring 240 94,84x3,53		1
29	2106307	6307 bearing		1
30	4208021	Bearing securing washer		1
31	3062212030	Screw UNI5933 10.9 M12x30 galvanised+D (coarse pit		1

Machine type: TILLER

Model: RD

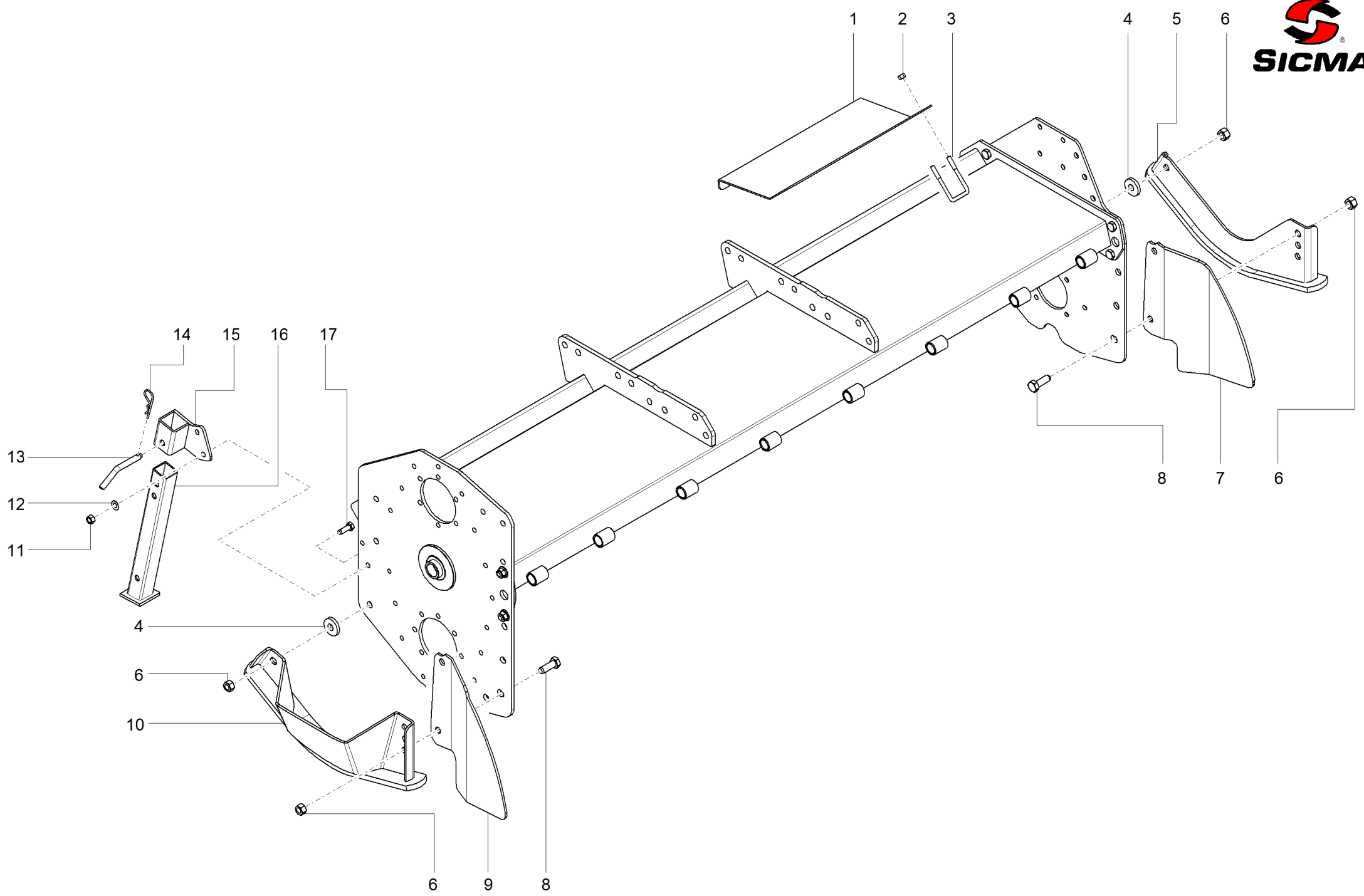
Group: ROTOR AND TOOLS

Document ID: 902826002ROTORE E UTENSILI

Revision: 08_01/01/2021 ->

Table: 05

Reference	P/N	Description	Model #	Quantity
32	3444014	M14x1.5 porthole cap with washer 6470114		1
33	6470114	Washer M14 (Al/Cu)		1
34	3021110035	Screw UNI5739 8.8 M10x35 galvanised (coarse pitch)		4
35	3441014	14X1.5 conical cap (hexagon head)		1
36	4708248	SH/CST/RM/RD rotor bearing support		1
37	4822401	RD/SH/SD curved hoes kit (1x Rh + 1x Lh)	RD/110 (4 zappe)	22
37	4822401	RD/SH/SD curved hoes kit (1x Rh + 1x Lh)	RD/120•135 (4 zappe)	8
37	4822401	RD/SH/SD curved hoes kit (1x Rh + 1x Lh)	RD/110 (6 zappe) - RD/150•160 (4 zappe)	10
37	4822401	RD/SH/SD curved hoes kit (1x Rh + 1x Lh)	RD/185 (4 zappe)	12
37	4822401	RD/SH/SD curved hoes kit (1x Rh + 1x Lh)	RD/210 (4 zappe)	14
37	4822401	RD/SH/SD curved hoes kit (1x Rh + 1x Lh)	RD/185 (6 zappe)	16
37	4822401	RD/SH/SD curved hoes kit (1x Rh + 1x Lh)	RD/210 (6 zappe)	21
37	4822401	RD/SH/SD curved hoes kit (1x Rh + 1x Lh)	RD/210 (lame)	24
37	4822401	RD/SH/SD curved hoes kit (1x Rh + 1x Lh)	RD/150•160 (6 zappe) - RD/160 (lame)	26
37	4822401	RD/SH/SD curved hoes kit (1x Rh + 1x Lh)	RD/185 (lame)	18
38	4822402	RD/SH/SD squared hoes kit (1x Rh + 1x Lh)	RD/110 (6 zappe) - RD/150•160 (4 zappe)	12
38	4822402	RD/SH/SD squared hoes kit (1x Rh + 1x Lh)	RD/210 (lame)	26
38	4822402	RD/SH/SD squared hoes kit (1x Rh + 1x Lh)	RD/185 (4 zappe)	14
38	4822402	RD/SH/SD squared hoes kit (1x Rh + 1x Lh)	RD/120•135 (4 zappe)	15
38	4822402	RD/SH/SD squared hoes kit (1x Rh + 1x Lh)	RD/210 (4 zappe)	16
38	4822402	RD/SH/SD squared hoes kit (1x Rh + 1x Lh)	RD/150•160 (6 zappe) RD/160 (lame)	18
38	4822402	RD/SH/SD squared hoes kit (1x Rh + 1x Lh)	RD/185 (6 zappe)	21
38	4822402	RD/SH/SD squared hoes kit (1x Rh + 1x Lh)	RD/185 (lame)	22
38	4822402	RD/SH/SD squared hoes kit (1x Rh + 1x Lh)	RD/210 (6 zappe)	24
38	4822402	RD/SH/SD squared hoes kit (1x Rh + 1x Lh)	RD/110 (4 zappe)	8
38	4822402	RD/SH/SD squared hoes kit (1x Rh + 1x Lh)	RD120•135 (4 zappe)	10
39	4822403	Kit blades 2 holes RD/RM/RMF	RD/185 (lame)	22
39	4822403	Kit blades 2 holes RD/RM/RMF	RD/160 (lame)	18
39	4822403	Kit blades 2 holes RD/RM/RMF	RD/210 (lame)	26
40	8144000072	Kit 72 screws M14x40+nut+washer SD150/160 (6 hoes/flange)	RD/150•160 (6 zappe) - RD/160 (lame)	1
40	8144000104	Kit 104 blade bolts RD210	RD/210 (lame)	1
40	8144000096	Kit 96 screws M14x40+nut+washer SD210 (6 hoes/flange)	RD/210 (6 zappe)	1
40	8144000088	Kit 88 blade bolts RD185	RD/185 (lame)	1
40	8144000084	Kit 84 screws M14x40+nut+washer SD185 (6 hoes/flange)	RD/185 (6 zappe)	1
40	8144000064	Kit 64 screws M14x40+nut+washer SD210 (4 hoes/flange)	RD/210 (4 zappe)	1
40	8144000060	Kit 60 screws M14x40+nut+washer SD135 (6 hoes/flange)	RD/120•135 (6 zappe)	1
40	8144000056	Kit 56 screws M14x40+nut+washer SD185 (4 hoes/flange)	RD/185 (4 zappe)	1
40	8144000048	Kit 48 screws M14x40+nut+washer SD150/160 (4 hoes/flange)	RD/110 (6 zappe) - RD/150•160 (4 zappe)	1
40	8144000032	Kit 32 nuts RD110 (4 hoes/flange)	RD/110 (4 zappe) - RD135 (lame)	1
40	8144000040	Kit 40 screws M14x40+nut+washer SD135 (4 hoes/flange)	RD/120•135 (4 zappe)	1
41	3022112030	Screw UNI5739 10.9 M12x30 galvanised (coarse pitch)		6



Machine type: TILLER

Model: RD

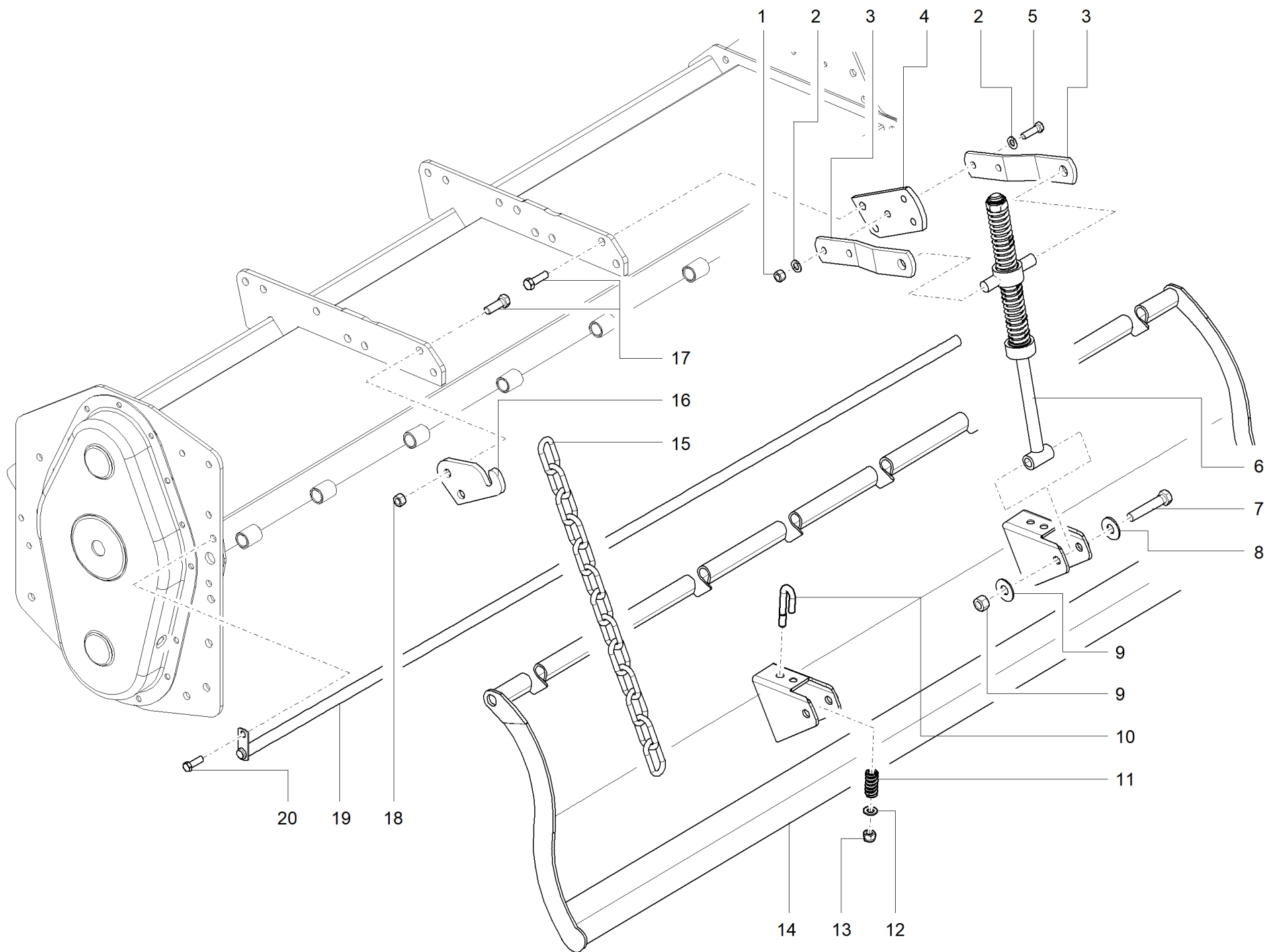
Group: SUPPORTS AND GUARDS

Document ID: 902826002

Revision: 08_01/01/2021 ->

Table: 06

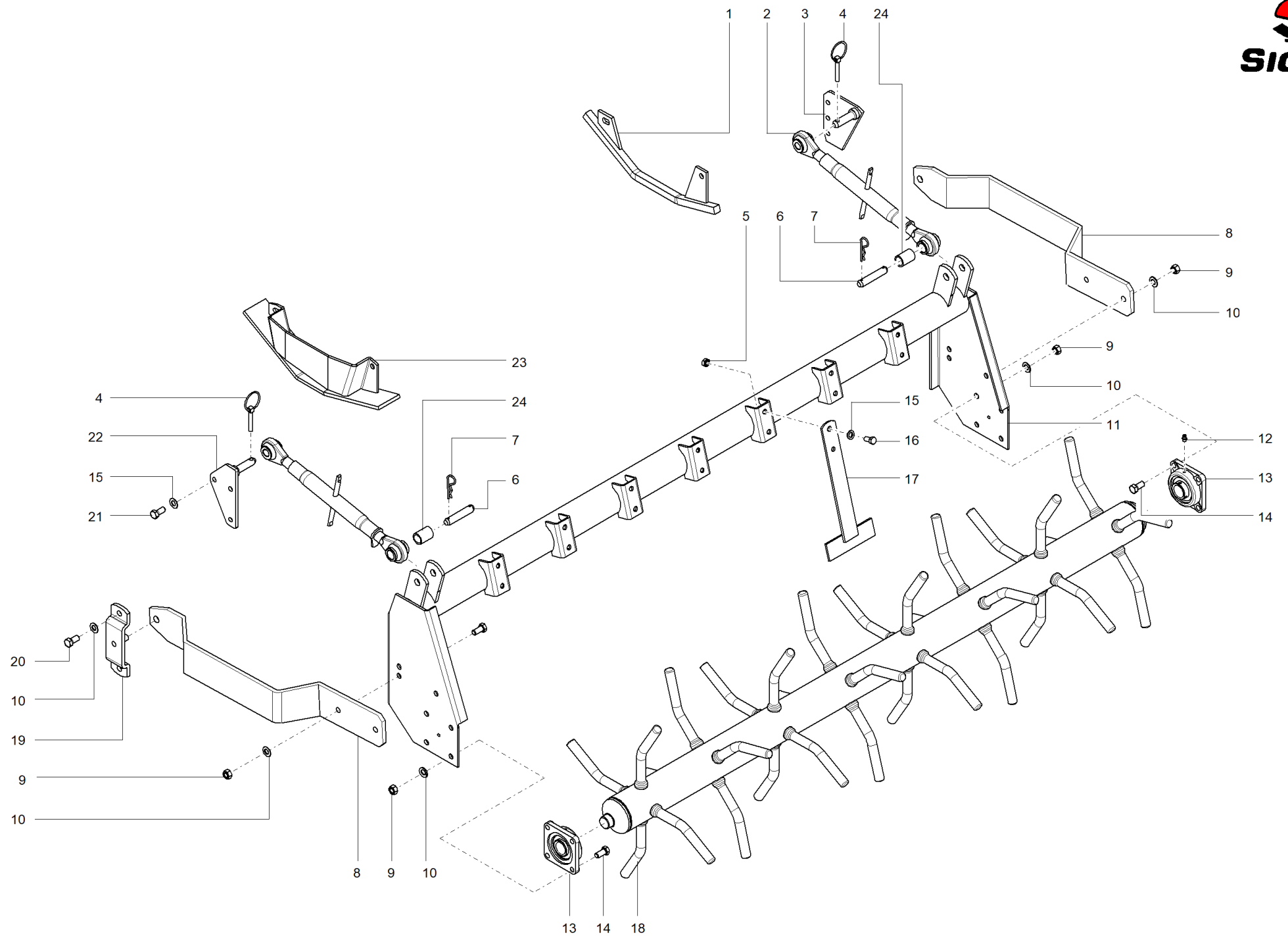
Reference	P/N	Description	Model #	Quantity
1	4132224	CE Guard	RD/110•120	2
1	4132227	CE Guard	RD/135	2
1	4132230	Front protection sheet L=250 panel 50-60	RD/150	2
1	4132232	CE front shieding 300mm	RD/160	2
1	4132237	Front protection sheet L=425 panel 50-60	RD/185	2
1	4132242	CE front shieding 550mm	RD/210	2
2	3464101008	UNI7473 (coarse pitch) M8 zinc plated nut		8
3	4302003	60 RM/RD panel M8 tie		4
4	4237904	ST/SM/RD slide coupling spacer		2
5	4002233	CE RD integrated protection external slide		1
6	3464101014	UNI7473 (coarse pitch) M14 zinc plated nut		8
7	4932109	ST/SM/RD right mud rasp		1
8	3021114030	Screw UNI5739 8.8 M14x30 galvanised (coarse pitch)		4
9	4932110	ST/SM/RD left mud rasp		1
10	4002232	CE RD integrated protection transmission slide		1
11	3464101010	UNI7473 (coarse pitch) M10 zinc plated nut		2
12	3625000010	Grower washer DIN1751 C70 Øi10		2
13	4236115	SA/SB/CS/ZLL/RM foot locking pin		1
14	6351003	Split pin Ad R Ø3 galvanised		1
15	4002377	Foot support		1
16	4002376	Support foot		1
17	3021110025	Screw UNI5739 8.8 M10x25 galvanised (coarse pitch)		2



Machine type: TILLER
 Model: RD
 Group: REAR LIDS

Document ID: 902826002
 Revision: 08_01/01/2021 ->
 Table: 07

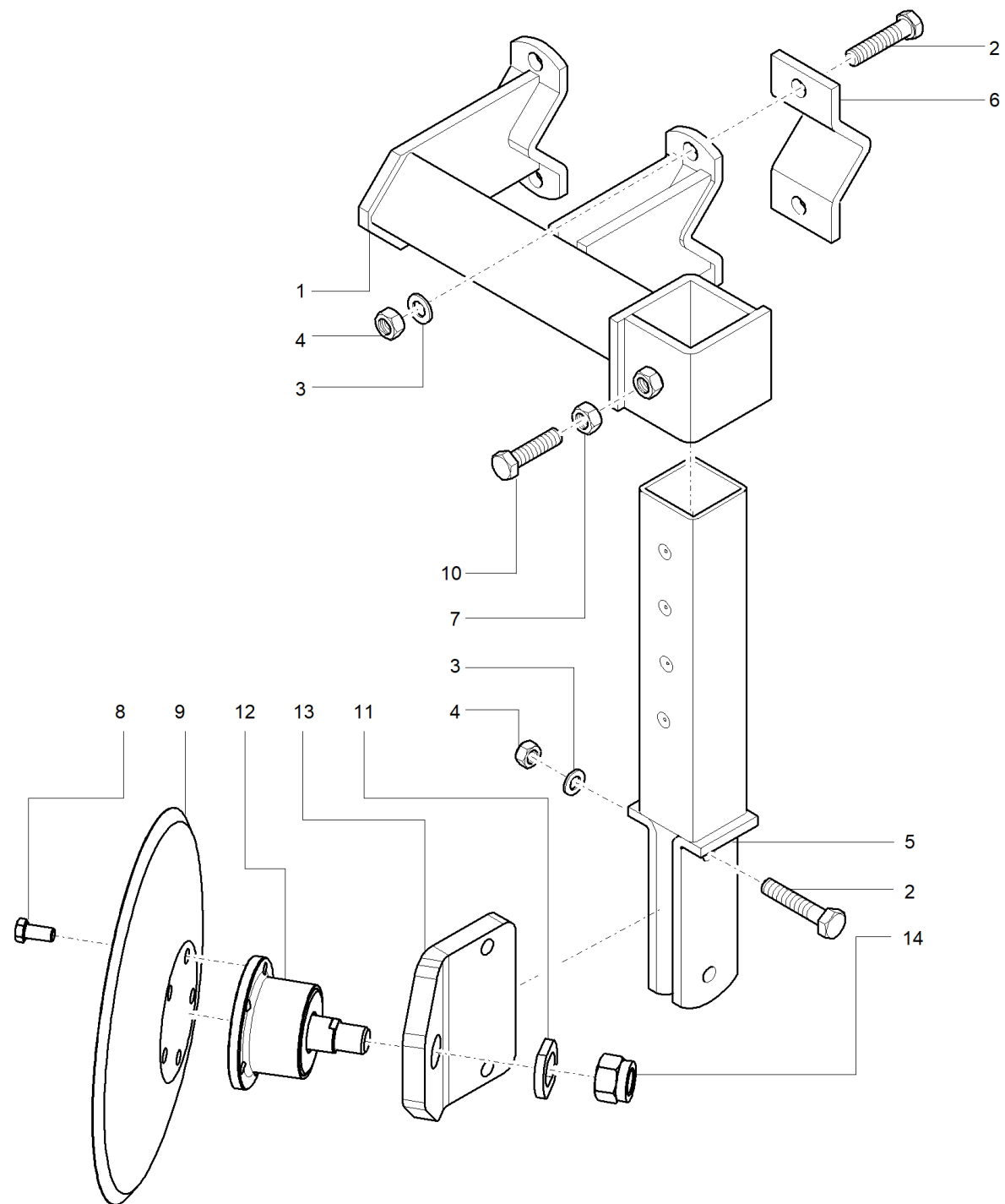
Reference	P/N	Description	Model #	Quantity
1	3464101012	UNI7473 (coarse pitch) M12 zinc plated nut		4
2	3625000012	Grower washer DIN1751 C70 Øi12		8
3	4834002	RD/RG boom for lid regulation		4
4	4837701	RST/RD rod anchoring clamp		2
5	3021112050	Screw TE M12x50 UNI5739		4
6	4002590	Bonnet presses kit	RD/110•120•135•150•160	1
6	4002590	Bonnet presses kit	RD/185•210	2
7	3011114090	Screw TE M14x90 UNI5737	RD/110•120•135•150•160	1
7	3011114090	Screw TE M14x90 UNI5737	RD/185•210	2
8	3604100014	Flat washer UNI6592 140Hv Øi14 galvanised	RD/110•120•135•150•160	2
8	3604100014	Flat washer UNI6592 140Hv Øi14 galvanised	RD/185•210	4
9	3464101014	UNI7473 (coarse pitch) M14 zinc plated nut	RD/185•210	2
9	3464101014	UNI7473 (coarse pitch) M14 zinc plated nut	RD/110•120•135•150•160	1
10	4302183	Rear lid spring hook	RD/110•120•135•150•160	1
10	4302183	Rear lid spring hook	RD/185•210	2
11	4212214	RM/RD/RC shock absorber spring	RD/185•210	2
11	4212214	RM/RD/RC shock absorber spring	RD/110•120•135•150•160	1
12	3604000012	Flat washer UNI6592 140Hv Øi12	RD/110•120•135•150•160	1
12	3604000012	Flat washer UNI6592 140Hv Øi12	RD/185•210	2
13	3464101012	UNI7473 (coarse pitch) M12 zinc plated nut	RD/110•120•135•150•160	1
13	3464101012	UNI7473 (coarse pitch) M12 zinc plated nut	RD/185•210	2
14	4012501	Rear bonnet	RD/110	1
14	4012502	Rear bonnet	RD/120	1
14	4012503	Rear bonnet	RD/135	1
14	4012504	Rear bonnet	RD/150	1
14	4012505	Rear bonnet	RD/160	1
14	4012506	Rear bonnet	RD/185	1
14	4012507	Rear bonnet	RD/210	1
15	4674003	CS/RG/SP lid chain 13 rollers	RD/185•210	1
15	4674003	CS/RG/SP lid chain 13 rollers	RD/110•120•135•150•160	2
16	4932106	ST185/210 lid chain hook	RD/185•210	1
16	4932106	ST185/210 lid chain hook	RD/110•120•135•150•160	2
17	3021112035	Screw UNI5739 8.8 M12x35 galvanised (coarse pitch)	RD/110•120•135•150•160	4
17	3021112035	Screw UNI5739 8.8 M12x35 galvanised (coarse pitch)	RD/185•210	2
18	3464101012	UNI7473 (coarse pitch) M12 zinc plated nut	RD/185•210	2
18	3464101012	UNI7473 (coarse pitch) M12 zinc plated nut	RD/110•120•135•150•160	4
19	4004781	Bonnet pin	RD/110	1
19	4004782	Bonnet pin	RD/120	1
19	4004783	Bonnet pin	RD/135	1
19	4004784	Bonnet pin	RD/150	1
19	4004785	Bonnet pin	RD/160	1
19	4004788	Bonnet pin	RD/185	1
19	4004790	Bonnet pin	RD/210	1
20	3021112035	Screw UNI5739 8.8 M12x35 galvanised (coarse pitch)		1



Machine type: TILLER
 Model: RD
 Group: SPIKE ROLLER

Document ID: 902826002
 Revision: 08_01/01/2021 ->
 Table: 08

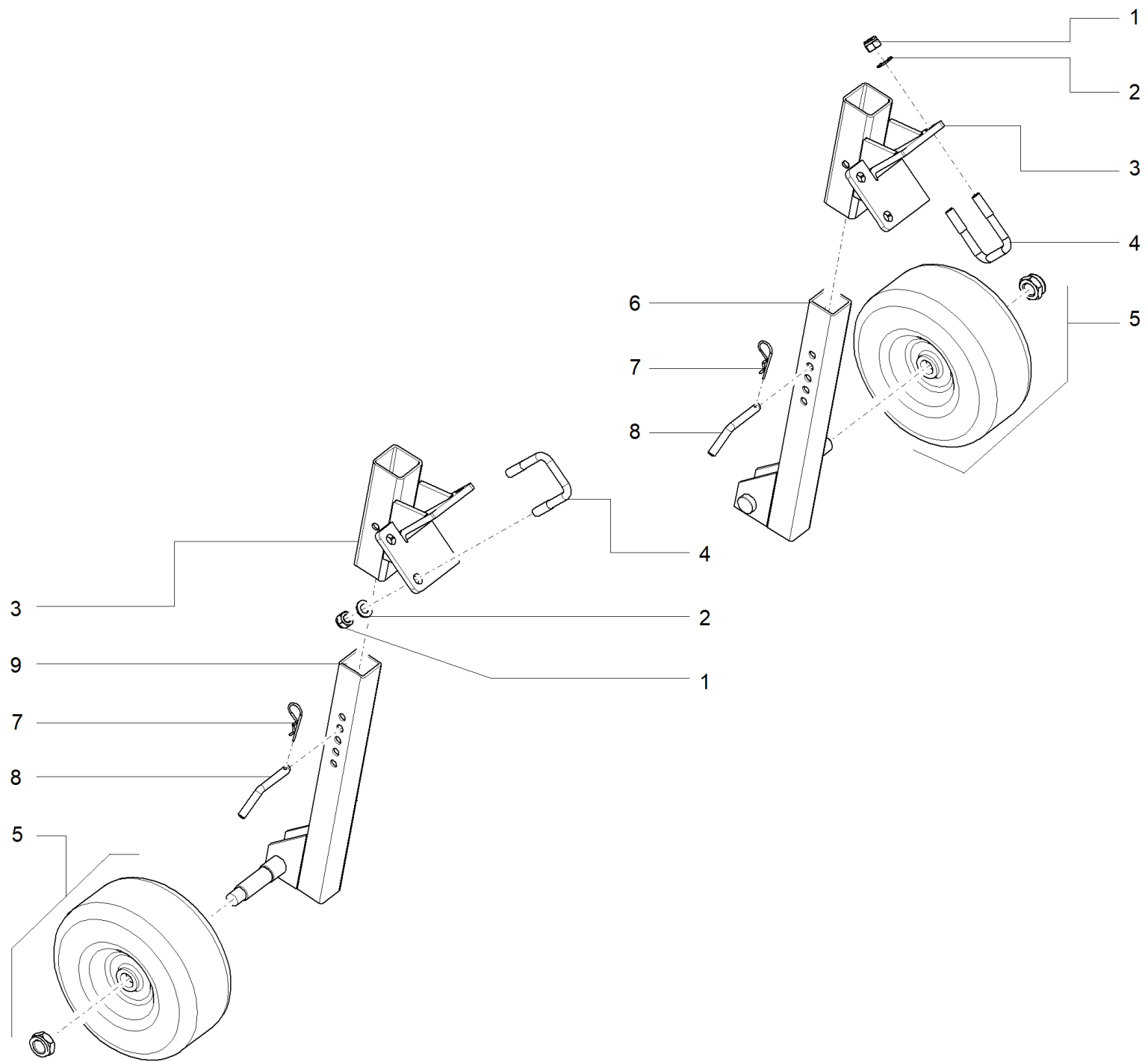
Reference	P/N	Description	Model #	Quantity
1	4002126	ST external side protection slide with roller		1
2	6391320	19.25/320 3rd point boom		2
3	4002104	Right tie-rod plate		1
4	6350010	Snap pin DIN11023 D10 galvanised		2
5	3464101012	UNI7473 (coarse pitch) M12 zinc plated nut	RD/210	14
5	3464101012	UNI7473 (coarse pitch) M12 zinc plated nut	RD/160	10
5	3464101012	UNI7473 (coarse pitch) M12 zinc plated nut	RD/185	12
6	4304003	RG fastening tie rod 3rd point pin		2
7	6351004	Split pin Ad R Ø4 galvanised		4
8	4932143	Arm		2
9	3464101014	UNI7473 (coarse pitch) M14 zinc plated nut		12
10	3604100014	Flat washer UNI6592 140Hv Øi14 galvanised		12
11	4007607	Frame for roller SM155	RD/160	1
11	4007609	Frame for roller SM180	RD/185	1
11	4007610	Frame for roller SM205	RD/210	1
12	6560006	Type-A greaser UNI7663 M6x1		2
13	2000035	UCF-207 support		2
14	3021114040	Screw UNI5739 8.8 M14x40 galvanised (coarse pitch)		8
15	3604100012	Flat washer UNI6592 140Hv Øi12 galvanised	RD/210	14
15	3604100012	Flat washer UNI6592 140Hv Øi12 galvanised	RD/185	12
15	3604100012	Flat washer UNI6592 140Hv Øi12 galvanised	RD/160	10
16	3021112030	Screw UNI5739 8.8 M12x30 galvanised (coarse pitch)	RD/160	10
16	3021112030	Screw UNI5739 8.8 M12x30 galvanised (coarse pitch)	RD/185	12
16	3021112030	Screw UNI5739 8.8 M12x30 galvanised (coarse pitch)	RD/210	14
17	4007615	Scraper	RD/210	7
17	4007615	Scraper	RD/160	5
17	4007615	Scraper	RD/185	6
18	4007693	Spike roller	RD/160	1
18	4007695	Spike roller	RD/185	1
18	4007696	Spike roller	RD/210	1
19	4007616	Roller fastening staff		2
20	3021114035	Screw UNI5739 8.8 M14x35 galvanised (coarse pitch)		4
21	3021112035	Screw UNI5739 8.8 M12x35 galvanised (coarse pitch)		6
22	4007602	RM-roller left junction coupling plate		1
23	4002125	ST crankcase protection with roller		1
24	5532112	25X19 junction bushing		2



Machine type: TILLER
Model: RD
Group: HARROW DISC

Document ID: 902826002
Revision: 08 _01/01/2021 ->
Table: 09

Reference	P/N	Description	Model #	Quantity
1	4002228	Harrow disc support		2
2	3031114060	Screw UNI5738 8.8 M14x60 galvanised (fine pitch)		8
3	3625000014	Grower Washer Ø14 UNI1751		8
4	3414102014	UNI5587 M14 coarse pitch zinc plated nut		8
5	4004191	SM/SP harrow disc support		2
6	4302257	SM/RM/RD 3rd point tie		4
7	3414101014	Nut M14 UNI5587 coarse pitch		2
8	3021112020	Screw UNI5739 8.8 M12x20 galvanised (coarse pitch)		10
9	4112901	Smooth disc Ø350		2
10	3021114050	Screw UNI5739 8.8 M14x50 galvanised (coarse pitch)		1
11	4932950	Inter-row machine Agrihub Ø30 anti-loosening washer		2
12	2043000	Support Agrihubs NSK AHU30117AS-04 NN EA5H5		2
13	4934046	Coupling plate		2
14	3474102024	UNI7474 Hmax 21mm fine pitch M24 zinc plated nut		2



Machine type: TILLER
Model: RD
Group: SIDE WHEELS

Document ID: 902826002
Revision: 08_01/01/2021 ->
Table: 10

Reference	P/N	Description	Model #	Quantity
1	3464101014	UNI7473 (coarse pitch) M14 zinc plated nut		12
2	3604100008	Flat washer UNI6592 140Hv Ø108 galvanised		8
3	4002225	Wheel boom support		2
4	4307802	60 SCT/RM/ST panel tie		4
5	6610280	Wheel + pin 280x120 SM/ST		2
6	4007854	SM/ST Right wheel support		1
7	6351003	Split pin Ad R Ø3 galvanised		2
8	4236115	SA/SB/CS/ZLL/RM foot locking pin		2
9	4007855	SM/ST Left wheel support		1