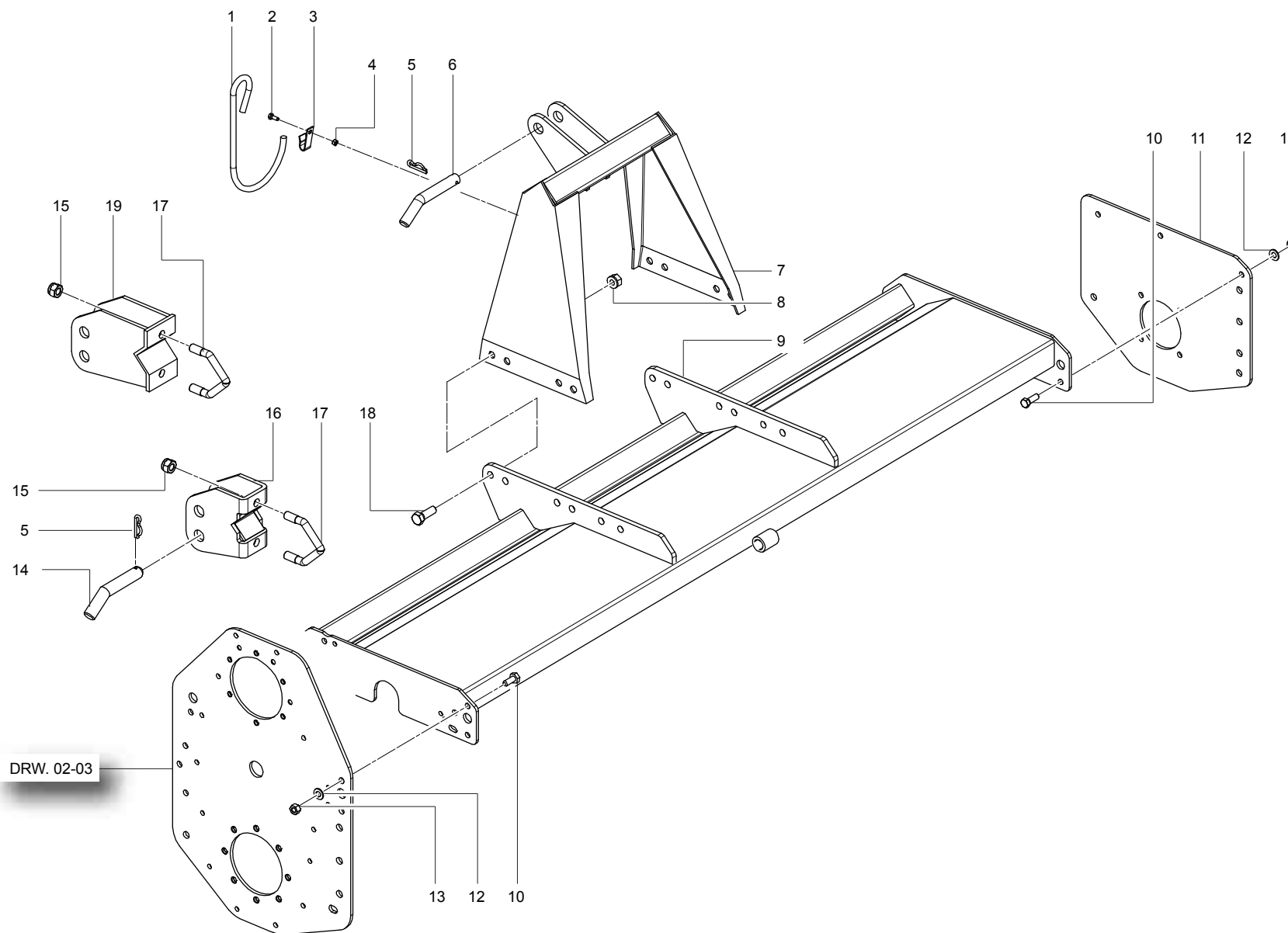


Type: FRESATRICE/TILLER
Mod.: CS/085•105•125•135•145•165•185•205
Rev.: 05/2016
Draw.: 01



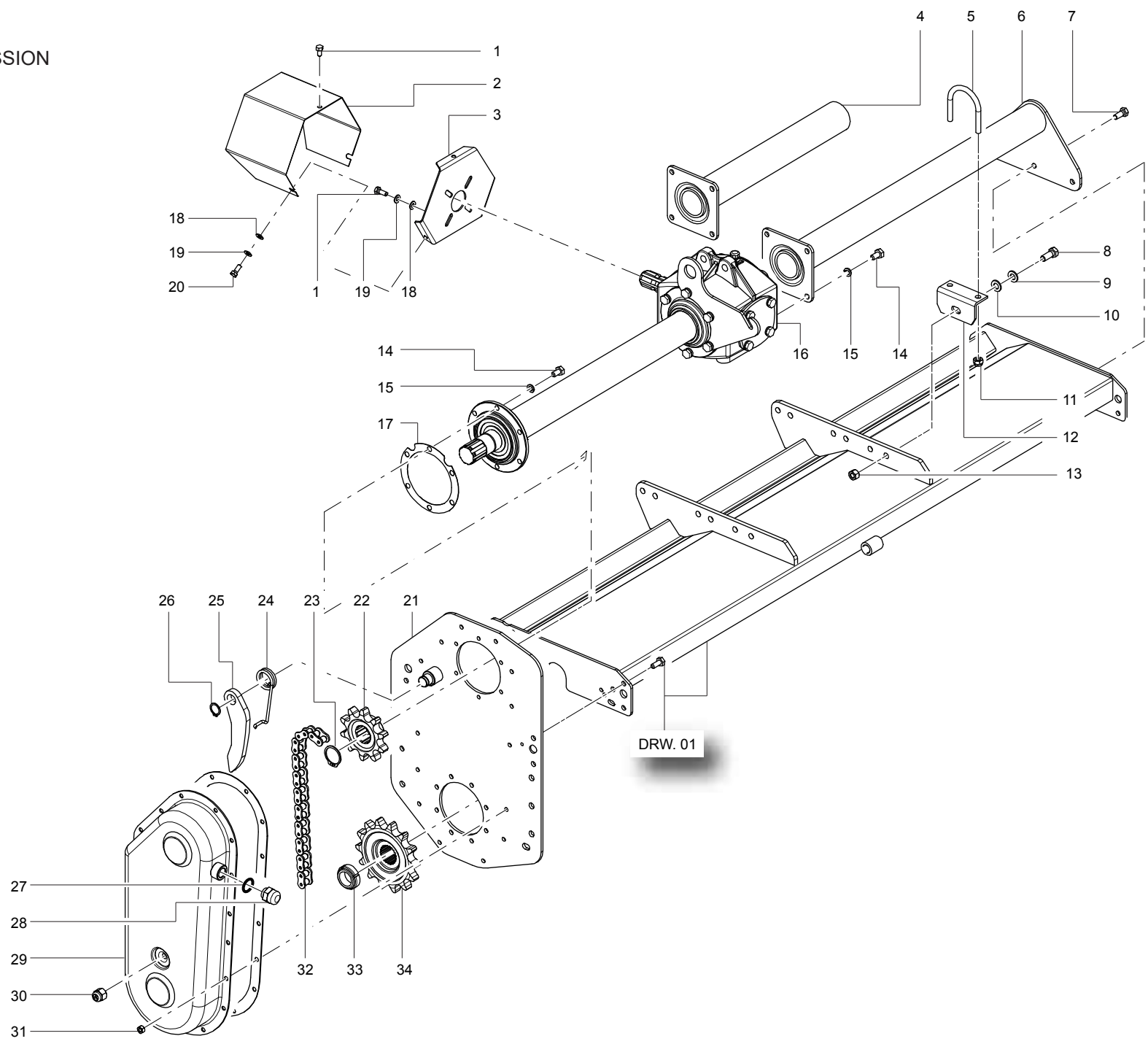
Type: FRESATRICE/TILLER
 Mod.: CS/085•105•125•135•145•165•185•205
 Rev.: 05/2016
 Tab.: 01



Pag.: 1/1

RIF	COD	DESCRIZIONE	DESCRIPTION	QTY
1	4337003	Gancio 150 per cardano	Hook	1
2	3021108016	Vite TE M8x16 UNI 5739	Screw M8x16 UNI5739	1
3	5137068	Clip gancio sostegno giunto	Clip	1
4	3444101008	Dado ATB M8 Din 980	Self locking nut M8 Din 980	1
5	6351004	Coppiglia ad "R" Ø4	Split pin "R" Ø4	3
6	4301589	Perno 3° punto superiore	Pin	1
7	4001514	3° punto superiore	Upper 3rd point	1
8	3444101012	Dado ATB M12 Din 980	Self locking nut M12 Din 980	8
9	4001466	Telaio CS/085	Frame CS/085	1
9	4001468	Telaio CS/105	Frame CS/105	1
9	4001470	Telaio CS/125	Frame CS/125	1
9	4001471	Telaio CS/135	Frame CS/135	1
9	4001472	Telaio CS/145	Frame CS/145	1
9	4001473	Telaio CS/165	Frame CS/165	1
9	4001474	Telaio CS/185	Frame CS/185	1
9	4001475	Telaio CS/205	Frame CS/205	1
10	3021110025	Vite TE M10x25 UNI 5739	Screw M10x25 UNI 5739	7
11	4131503	Piastra lato esterno	External side plate	1
12	3635100010	Rosetta grower Ø10 FIAT 10188	Washer grower Ø10 FIAT 10188	7
13	3444101010	Dado ATB M10 Din 980	Self locking nut M10 Din 980	7
14	4301590	Perno attacco 3 punti inferiore	Lower pin	2
15	3464101014	Dado ATB M14 UNI 7473	Self locking nut M14 UNI 7473	4
16	4001506	Attacco 3° punto inferiore	Lower junction for 3rd point	2
17	4201513	Cravatta fissaggio 3 punto	"U" bolt	2
18	3021112035	Vite TE M12x35 UNI 5739	Screw M12x35 UNI 5739	8
19	4011519	Attacco 3° punto inferiore lungo	Long lower junction for 3rd point	2

Type: FRESATRICE/TILLER
Mod.: CS/085•105•125•135•145•165•185•205
Rev.: 05/2016
Drw.: 02
CHAIN TRANSMISSION



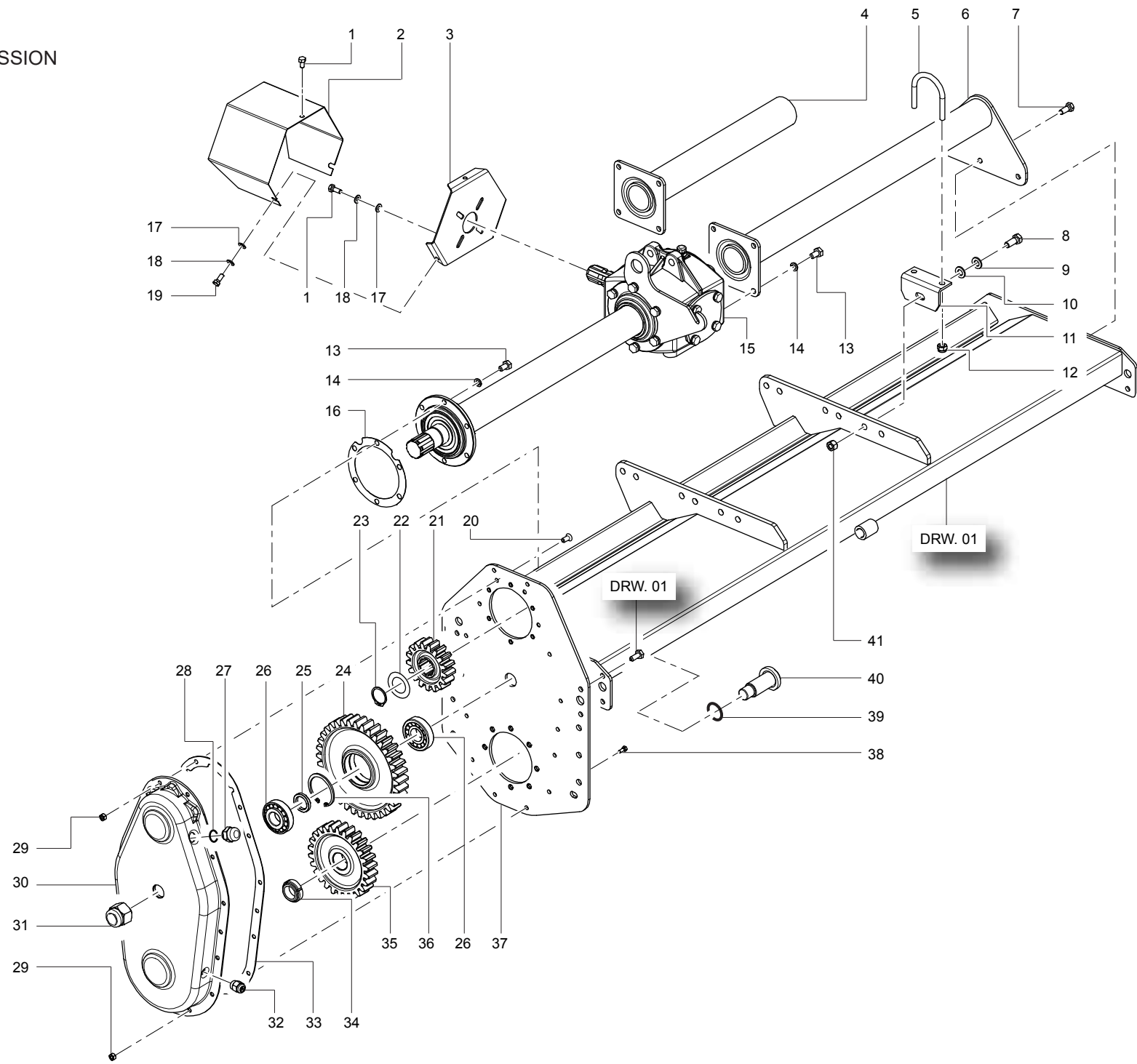
Type: FRESATRICE/TILLER
 Mod.: CS/085•105•125•135•145•165•185•205
 Rev.: 05/2016
 Tab.: 02



Pag.: 1/1

RIF	COD	DESCRIZIONE	DESCRIPTION	QTY
1	3021108016	Vite TE M8x16 UNI 5739	Screw M8x16 UNI 5739 8	1
2	4138034	Protezione giunto	Protection	1
3	4138035	Supporto protezione giunto	Protection support	1
4	4001577	Supporto lato esterno CS/085•105	External support CS/085•105	1
5	4301520	Cravatta	"U" bolt	2
6	4001579	Prolunga esterna CS/125	External support CS/125	1
6	4001580	Prolunga esterna CS/135	External support CS/135	1
6	4001581	Prolunga esterna CS/145	External support CS/145	1
6	4001582	Prolunga esterna CS/165	External support CS/165	1
6	4001583	Prolunga esterna CS/185	External support CS/185	1
6	4001569	Prolunga esterna CS/205	External support CS/205	1
7	3021110025	Vite TE M10x25 UNI 5739	Screw M10x25 UNI 5739	3
8	3021112030	Vite TE M12x30 UNI 5739	Screw M12x30 UNI5739	2
9	3635100012	Rosetta grower Ø12 FIAT 10188	Washer grower Ø12 FIAT 10188	2
10	3604000012	Rosetta piana Ø12 UNI 6592	Washer Ø12 UNI 6592 UNI 6592	2
11	3444101010	Dado ATB M10 Din980	Self locking nut M10 Din980	4
12	4131519	Staffa fissaggio cravatta	Bracket	2
13	3444101012	Dado ATB M12 Din980	Self locking nut M12 Din980	2
14	3021110020	Vite TE M10x20 UNI 5739	Screw M10x20 UNI 5739	4
15	3635100010	Ros.Grower FIAT 10188 c70 Ø10	Washer grower c70 Ø10	4
16	8008843	Gruppo trasmissione completo CS/085	Trasmission group CS/085	1
16	8008844	Gruppo trasmissione completo CS/105	Trasmission group CS/105	1
16	8008846	Gruppo trasmissione completo CS/125	Trasmission group CS/125	1
16	8008847	Gruppo trasmissione completo CS/135	Trasmission group CS/135	1
16	8008848	Gruppo trasmissione completo CS/145	Trasmission group CS/145	1
16	8008849	Gruppo trasmissione completo CS/165	Trasmission group CS/165	1
16	8008850	Gruppo trasmissione completo CS/185	Trasmission group CS/185	1
16	8008858	Gruppo trasmissione completo CS/205	Trasmission group CS/205	1
16	8008880	Gruppo trasmissione completo antiorario CS/085	Counterclockwise trasmission group CS/085	1
16	8008881	Gruppo trasmissione completo antiorario CS/105	Counterclockwise trasmission group CS/105	1
16	8008882	Gruppo trasmissione completo antiorario CS/125	Counterclockwise trasmission group CS/125	1
16	8008883	Gruppo trasmissione completo antiorario CS/135	Counterclockwise trasmission group CS/135	1
16	8008884	Gruppo trasmissione completo antiorario CS/145	Counterclockwise trasmission group CS/145	1
16	8008885	Gruppo trasmissione completo antiorario CS/165	Counterclockwise trasmission group CS/165	1
16	8008886	Gruppo trasmissione completo antiorario CS/185	Counterclockwise trasmission group CS/185	1
16	8008887	Gruppo trasmissione completo antiorario CS/205	Counterclockwise trasmission group CS/205	1
17	4788744	Guarnizione supporto	Gasket	1
18	3604000008	Rosetta piana Ø8 UNI 6592	Washer Ø8 UNI 6592	6
19	3635100008	Rosetta Grower Ø8 FIAT 10188 Ø8	Washer grower Ø8 FIAT 10188 Ø8	6
20	3021108020	Vite TE M8x20 UNI 5739	Screw M8x20 UNI 5739	2
21	4011501	Piastra trasmissione	Gearing side plate	1
22	4701505	Pignone 1"1/4 Z10	Gear Z10	1
23	6320040	Anello elastico per alberi Ø40	Retaining ring for shaft Ø40	1
24	4211510	Molla tendicatena	Spring adjuster	1
25	4931520	Pattino tendicatena	Chain adjuster	1
26	6320022	Anello elastico per alberi Ø22	Retaining ring for shaft Ø22	1
27	6800018	Or 116 18.72X2,62	Or 116 18.72X2,62	1
28	3442022	Tappo valvola cilindrico M22x1.5	Plug M22x1.5	1
29	4111446	Carter trasmissione	Cover	1
30	3444114	Tappo conico con oblo' M14x1.5	Plug M14x1.5	1
31	3444101008	Dado ATB M8 Din 980	Self locking nut M8 Din 980	16
32	6703175	Catena ASA 100 34 maglie	Chain ASA 100	1
33	3840035	Ghiera ATB M35	Self locking metal ring M35	1
34	4701506	Pignone 1"1/4 Z14	Gear Z14	1

Type: FRESATRICE/TILLER
Mod.: CS/085•105•125•135•145•165•185•205
Rev.: 05/2016
Drw.: 03
GEARS TRANSMISSION



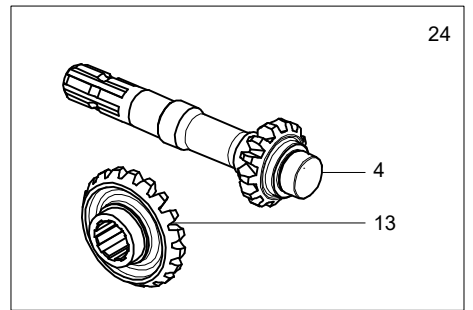
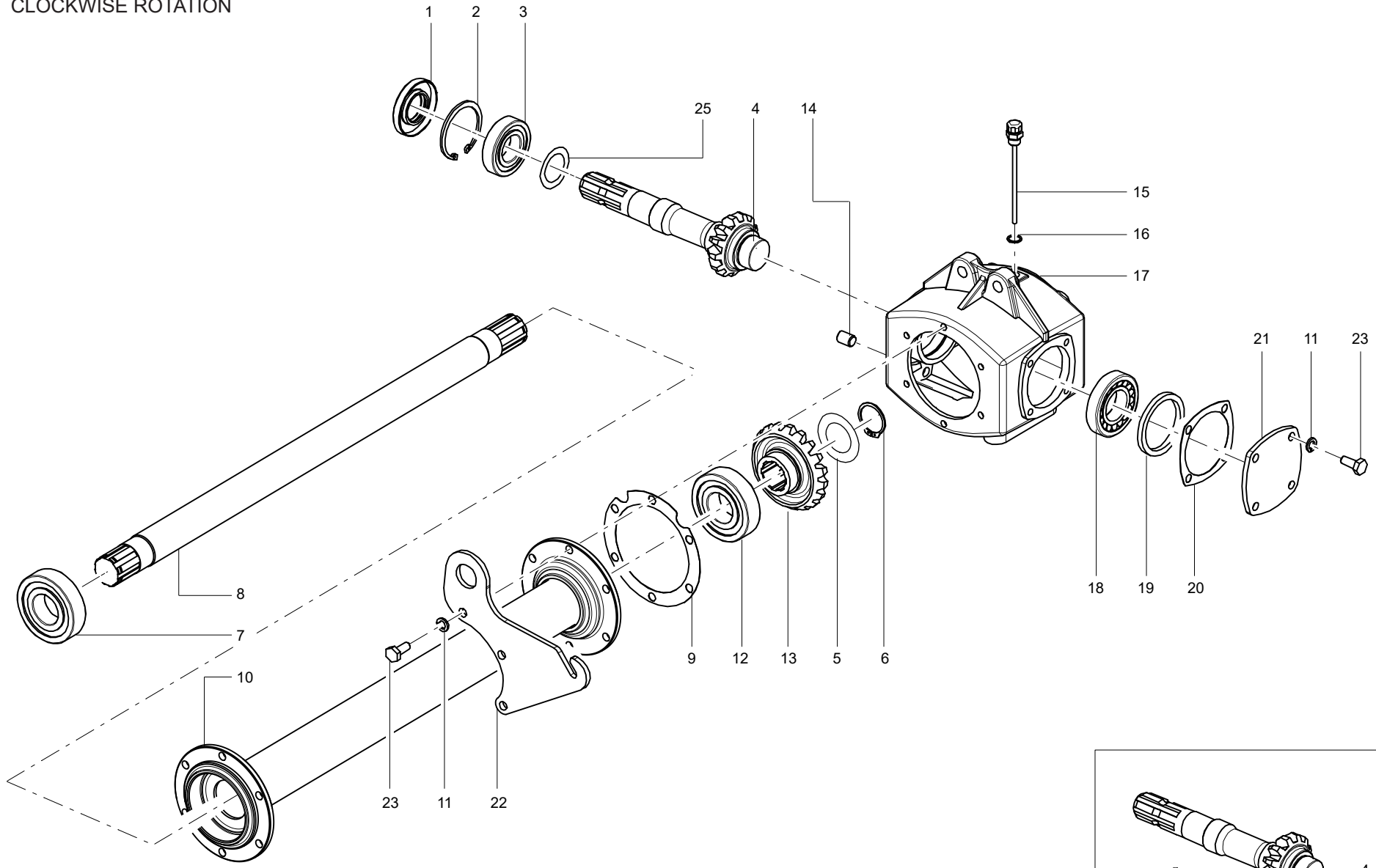
Type: FRESATRICE/TILLER
 Mod.: CS/085•105•125•135•145•165•185•205
 Rev.: 05/2016
 Tab.: 03



Pag.: 1/1

RIF	COD	DESCRIZIONE	DESCRIPTION	QTY
1	3021108016	Vite TE M8x16 UNI 5739	Screw M8x16 UNI5739	5
2	4138034	Protezione giunto	Protection	1
3	4138035	Supporto protezione giunto	Protection support	1
4	4001577	Supporto lato esterno CS/085•105	External support CS/085•105	1
5	4301520	Cravatta	"U" bolt	2
6	4001590	Prolunga esterna CS/125	External support CS/125	1
6	4001591	Prolunga esterna CS/135	External support CS/135	1
6	4001592	Prolunga esterna CS/145	External support CS/145	1
6	4001593	Prolunga esterna CS/165	External support CS/165	1
6	4001594	Prolunga esterna CS/185	External support CS/185	1
6	4001595	Prolunga esterna CS/205	External support CS/205	1
7	3021110025	Vite TE M10x25 UNI 5739	Screw M10x25 UNI 5739	3
8	3021112030	Vite TE M12x30 UNI 5739	Screw M12x30 UNI 5739	2
9	3635100012	Rosetta grower Ø12 FIAT 10188	Washer grower Ø12 FIAT 10188	2
10	3604000012	Rosetta piana Ø12 UNI 6592	Washer Ø12 UNI 6592	2
11	4131519	Staffa fissaggio cravatta	Bracket	2
12	3444101010	Dado ATB M10 Din980	Self locking nut M10 Din980	4
13	3021110020	Vite TE M10x20 UNI 5739	Screw M10x20 UNI 5739	4
14	3635100010	Rosetta grower Ø10 FIAT 10188	Washer grower Ø10 FIAT 10188	4
15	8008843	Gruppo trasmissione completo CS/085	Transmission group CS/085	1
15	8008844	Gruppo trasmissione completo CS/105	Transmission group CS/105	1
15	8008846	Gruppo trasmissione completo CS/125	Transmission group CS/125	1
15	8008847	Gruppo trasmissione completo CS/135	Transmission group CS/135	1
15	8008848	Gruppo trasmissione completo CS/145	Transmission group CS/145	1
15	8008849	Gruppo trasmissione completo CS/165	Transmission group CS/165	1
15	8008850	Gruppo trasmissione completo CS/185	Transmission group CS/185	1
15	8008858	Gruppo trasmissione completo CS/205	Transmission group CS/205	1
15	8008880	Gruppo trasmissione completo antiorario CS/085	Counterclockwise transmission group CS/085	1
15	8008881	Gruppo trasmissione completo antiorario CS/105	Counterclockwise transmission group CS/105	1
15	8008882	Gruppo trasmissione completo antiorario CS/125	Counterclockwise transmission group CS/125	1
15	8008883	Gruppo trasmissione completo antiorario CS/135	Counterclockwise transmission group CS/135	1
15	8008884	Gruppo trasmissione completo antiorario CS/145	Counterclockwise transmission group CS/145	1
15	8008885	Gruppo trasmissione completo antiorario CS/165	Counterclockwise transmission group CS/165	1
15	8008886	Gruppo trasmissione completo antiorario CS/185	Counterclockwise transmission group CS/185	1
15	8008887	Gruppo trasmissione completo antiorario CS/205	Counterclockwise transmission group CS/205	1
16	4788744	Guarnizione supporto	Gasket	1
17	3604000008	Rosetta piana Ø8 UNI 6592	Washer Ø8 UNI 6592	6
18	3635100008	Rosetta grower Ø8 FIAT 10188	Washer grower Ø8 FIAT 10188	6
19	3021108020	Vite TE M8x20 UNI 5739	Screw M8x20 UNI 5739	2
20	3062208020	Vite TSEI M8x20 UNI 5933	Screw TSEI M8x20 UNI 5933	3
21	4228706	Ingranaggio conduttore Z17	Driving gear Z17	1
22	6014003	Rasamento distanziale Ø40xØ52x1	Spacer Ø40xØ52x1	1
23	6320040	Anello elastico per alberi Ø40	Retainig ring for shaft Ø40	1
24	4728707	Ingranaggio di rinvio Z36	Intermediate gear Z36	1
25	4598935	Distanziale cuscinetto rinvio	Spacer	1
26	2730306	Cuscinetto 30306	Bearing 30306	2
27	3442022	Tappo valvola cilindrico M22x1.5	Plug M22x1.5	1
28	6800018	Or 116 18.72X2.62	Or 116 18.72X2.62	1
29	3444101008	Dado ATB M8 Din980	Self locking nut M8 Din980	15
30	4018702	Carter trasmissione	Cover	1
31	3474102024	Dado ATB M24 UNI 7474 PF	Self locking nut M24 UNI 7474 PF	1
32	3444114	Tappo conico con oblo' M14x1.5	Plug M14x1.5	1
33	4788745	Guarnizione carter trasmissione	Gasket	1
34	3840035	Ghiera autobloccante M35	Self locking metal ring M35	1
35	4728708	Ingranaggio condotto Z26	Gear Z26	1
36	6310072	Anello elastico x fori Ø72 UNI 7437	Retaining ring for bores Ø72 UNI 7437	1
37	4131520	Piastra lato trasmissione	Gearing side plate	1
38	3021108025	Vite TE M8x25 UNI 5739	Screw M8x25 UNI 5739	15
39	6800030	O.R.217 Ø29,75X3,53	O.R.217 Ø29,75X3,53	1
40	4202101	Perno ingranaggio rinvio	Pin	1
41	3444101012	Dado ATB M12 Din980	Self locking nut M12 Din980	2

Type: FRESATRICE/TILLER
Mod.: CS/085•105•125•135•145•165•185•205
Rev.: 05/2016
Drw.: 04
CLOCKWISE ROTATION



Type: FRESATRICE/TILLER
 Mod.: CS/085•105•125•135•145•165•185•205
 Rev.: 05/2016
 Tab.: 04



Pag.: 1/1

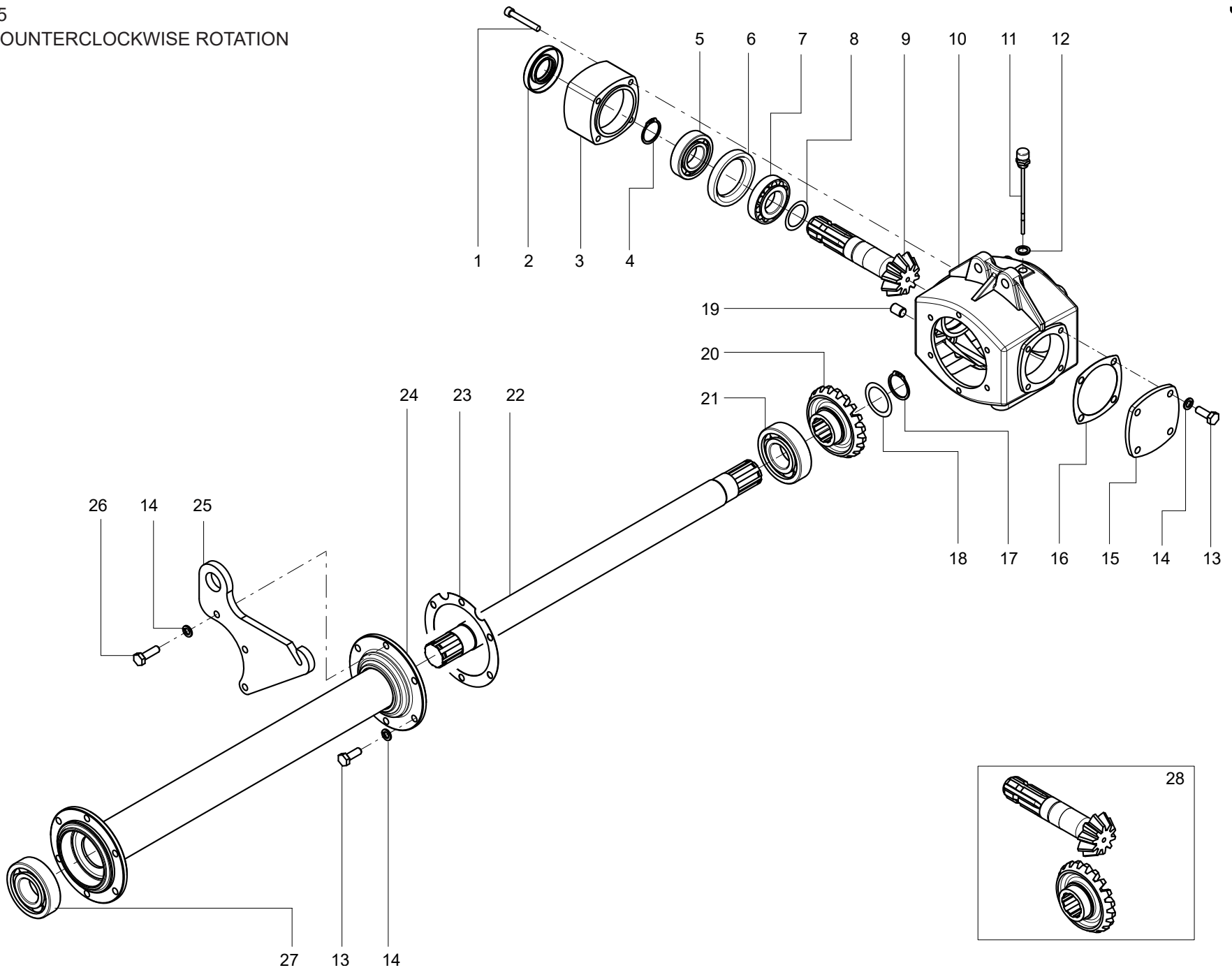
RIF	COD	DESCRIZIONE	DESCRIPTION	QTY
1	6203572	Paraolio 35x72x10 pp	Oil seal Ø35x72x12 pp	1
2	6310072	Seeger x interno Ø72	Circlip i Ø72	1
3	2106207	Cuscinetto 6207	Bearing 6207	1
4	4721309	Albero presa di forza	PTO shaft	1
5	6014003	Rasamento distanziale Ø40xØ52x1	Spacer Ø40xØ52x1	1
6	6320040	Seeger E Ø40	Circlip e Ø40	1
7	2106308	Cuscinetto 6308	Bearing 6308	1
8	4218939	Albero corona CS/085	Shaft CS/085	1
8	4218835	Albero corona CS/105	Shaft CS/105	1
8	4218837	Albero corona CS/125	Shaft CS/125	1
8	4218838	Albero corona CS/135	Shaft CS/135	1
8	4218839	Albero corona CS/145	Shaft CS/145	1
8	4218840	Albero corona CS/165	Shaft CS/165	1
8	4218841	Albero corona CS/185	Shaft CS/185	1
8	4218843	Albero corona CS/205	Shaft CS/205	1
9	4788744	Guarnizione supporto	Gasket	1
10	4008937	Prolunga CS/085	Shaft support CS/085	1
10	4008788	Prolunga CS/105	Shaft support CS/105	1
10	4008789	Prolunga CS/125	Shaft support CS/125	1
10	4008827	Prolunga CS/135	Shaft support CS/135	1
10	4008790	Prolunga CS/145	Shaft support CS/145	1
10	4008791	Prolunga CS/165	Shaft support CS/165	1
10	4008792	Prolunga CS/185	Shaft support CS/185	1
10	4008796	Prolunga CS/205	Shaft support CS/205	1
11	360400010	Rosetta piana UNI 6592 Ø10	Washer UNI 6592 140hv Ø10	10
12	2226308	Cuscinetto 6308 2RS	Bearing 6308 2 rs	1
13	4728794	Corona Z19	Ring bevel gear z19	1
14	3441014	Tappo conico 14x1.5	Oil plug m 14x1,5	1
15	4008701	Tappo sfiato	Plug	1
16	6470114	Rondella di tenuta M14	Gasket M14	1
17	4658818	Carter coppia conica	Gearbox	1
18	2730208	Cuscinetto 30208	Bearing 30208	1
19	1591042	Distanziale pignone	Spacer	1
20	4788793	Guarnizione coperchio	Gasket	1
21	4938843	Coperchio pignone	Cover	1
22	4148775	Gancio x catena coperchio	Chain plate	1
23	3021110025	Vite TE M10x25 UNI 5739	Screw M10x25 UNI 5739	10
24	8008815	Kit coppia conica	Bevel gear kit	1
25	6013510	Rasamento distanziale Ø35xØ47x1	Spacer Ø35xØ47x1	1

Rev. 05
13/10/2016

- Sostituzione albero presa di forza
- PTO shaft replaced

Ref.		Descrizione	Description	Code	
Old	New			Old	New
#4	#4	Albero presa di forza	4228102	4721309	
#5	#5	Pignone Z13 M6 (rimosso)	4728103		
#26	#5	Rasamento distanziale Ø40xØ52x1	6014003	6014003	

Type: FRESATRICE/TILLER
Mod.: CS/085•105•125•135•145•165•185•205
Rev.: 05/2016
Draw.: 05
COUNTERCLOCKWISE ROTATION



Type: FRESATRICE/TILLER
 Mod.: CS/085•105•125•135•145•165•185•205
 Rev.: 05/2016
 Tab.: 05



Pag.: 1/1

RIF	COD	DESCRIZIONE	DESCRIPTION	QTY
1	3051108050	Vite TCEI M8x50 UNI 5931	Hexagon cocket head cap screw M8x50 UNI 5931	4
2	6203572	Paraolio 35x72x10 pp	Oil seal Ø35x72x12 pp	1
3	4931332	Supporto pignone x gruppo antiorario	Pinion support ounterclockwise gearbox	1
4	6320035	Retaining ring for shaft Ø35 UNI 7435-DIN 471	Seeger x alberi Ø35 UNI 7435-DIN 471	1
5	2106207	Cuscinetto 6207	Bearing 6207	1
6	4591328	Distanziale pignone x gruppo antiorario	Spacer for pinion	1
7	2730207	Cuscinetto 30207	Bearing 30207	1
8	6013510	Rasamento distanziale Ø35xØ47x1	Spacer Ø35xØ47x1	1
9	4721309	Pignone conico Z13 (antiorario)	Conical pinion Z13 (counterclockwis rotatiorn)	1
10	4658818	Carter coppia conica	Gearbox	1
11	4008701	Tappo sfiato	Plug	1
12	6470114	Rondella di tenuta Ø14	Seal washer Ø14	1
13	3021110025	Vite TE M10x25 UNI 5739	Screw M10x25 UNI 5739	7
14	3635100010	Rosetta GROWER Ø10 FIAT 10188	Washer GROWER Ø10 FIAT 10188	10
15	4938843	Coperchio pignone	Cover	1
16	4788793	Guarnizione coperchio	Gasket	1
17	6320040	Seeger x alberi Ø40 UNI 7435-DIN 471	Retaining ring for shaft Ø40 UNI 7435-DIN 471	1
18	6014003	Rasamento distanziale Ø40xØ52x1	Spacer Ø40xØ52x1	1
19	3441014	Tappo conico M14x1,5	Oil plug M14x1,5	1
20	4728794	Corona conica Z19	Ring bevel gear Z19	1
21	2106308	Cuscinetto 6308	Bearing 6308	1
22	4218939	Albero corona CS/085	Shaft CS/085	1
22	4218835	Albero corona CS/105	Shaft CS/105	1
22	4218837	Albero corona CS/125	Shaft CS/125	1
22	4218838	Albero corona CS/135	Shaft CS/135	1
22	4218839	Albero corona CS/145	Shaft CS/145	1
22	4218840	Albero corona CS/165	Shaft CS/165	1
22	4218841	Albero corona CS/185	Shaft CS/185	1
22	4218843	Albero corona CS/205	Shaft CS/205	1
23	4788744	Guarnizione supporto	Gasket	1
24	4008937	Prolunga CS/085	Shaft support CS/085	1
24	4008788	Prolunga CS/105	Shaft support CS/105	1
24	4008789	Prolunga CS/125	Shaft support CS/125	1
24	4008827	Prolunga CS/135	Shaft support CS/135	1
24	4008790	Prolunga CS/145	Shaft support CS/145	1
24	4008791	Prolunga CS/165	Shaft support CS/165	1
24	4008792	Prolunga CS/185	Shaft support CS/185	1
24	4008796	Prolunga CS/205	Shaft support CS/205	1
25	4148775	Gancio x catena coperchio	Chain hook	1
26	3021110030	Vite TE M10x30 UNI 5739	Screw M10x30 UNI 5739	3
27	2226308	Cuscinetto 6308 2RS	Bearing 6308 2RS	1
28	8008921	Kit coppia conica	Bevel gears kit	1

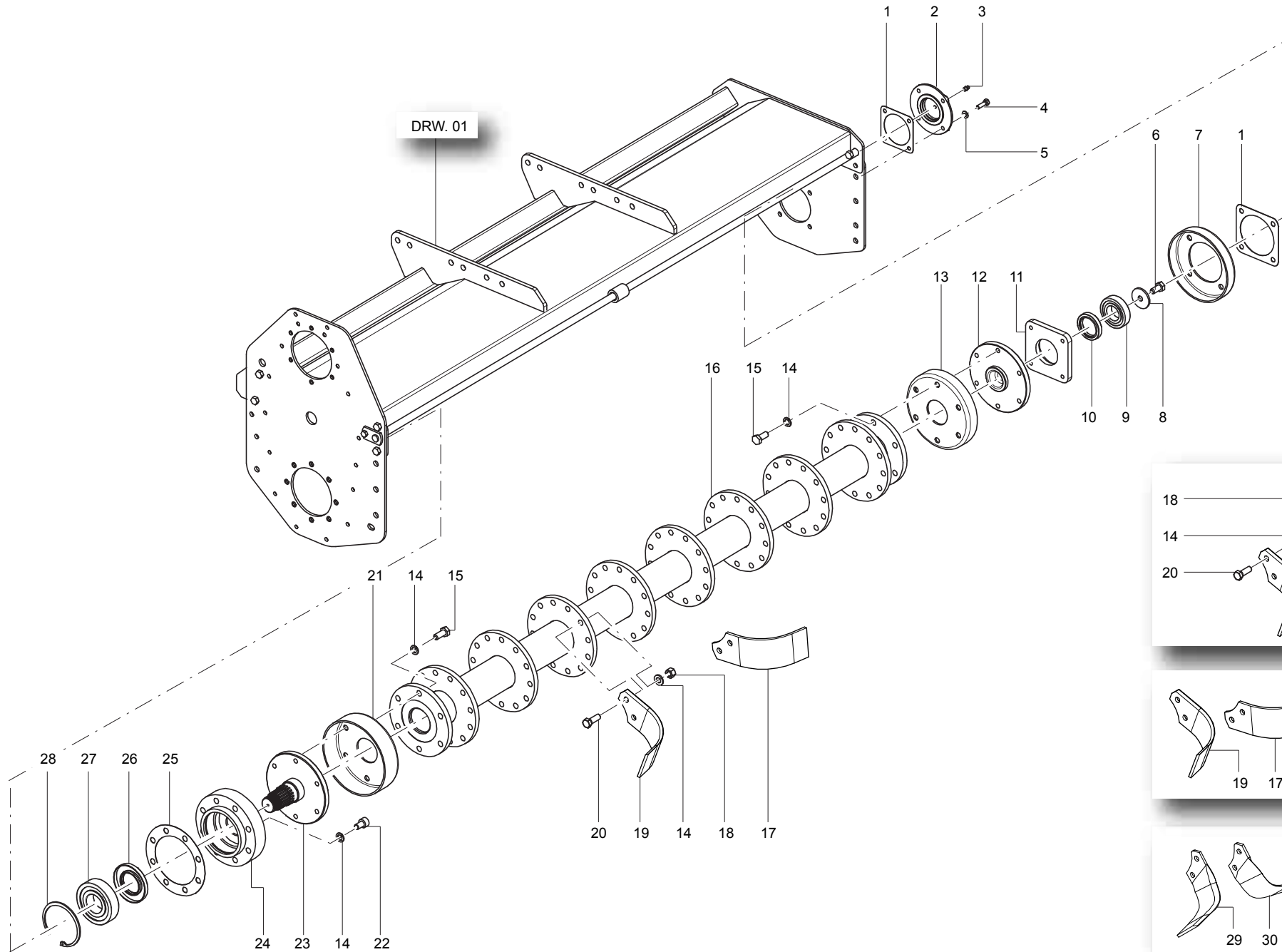
Rev. 05
13/10/2016

• Tavola nuova

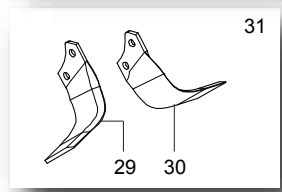
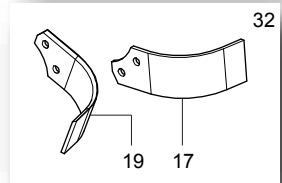
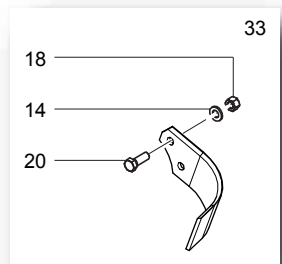
• New drawing

Ref. New	Descrizione	Description	Code New

Type: FRESATRICE/TILLER
Mod.: CS/085•105•125•135•145•165•185•205
Rev.: 05/2016
Drw.: 06



DRW. 01



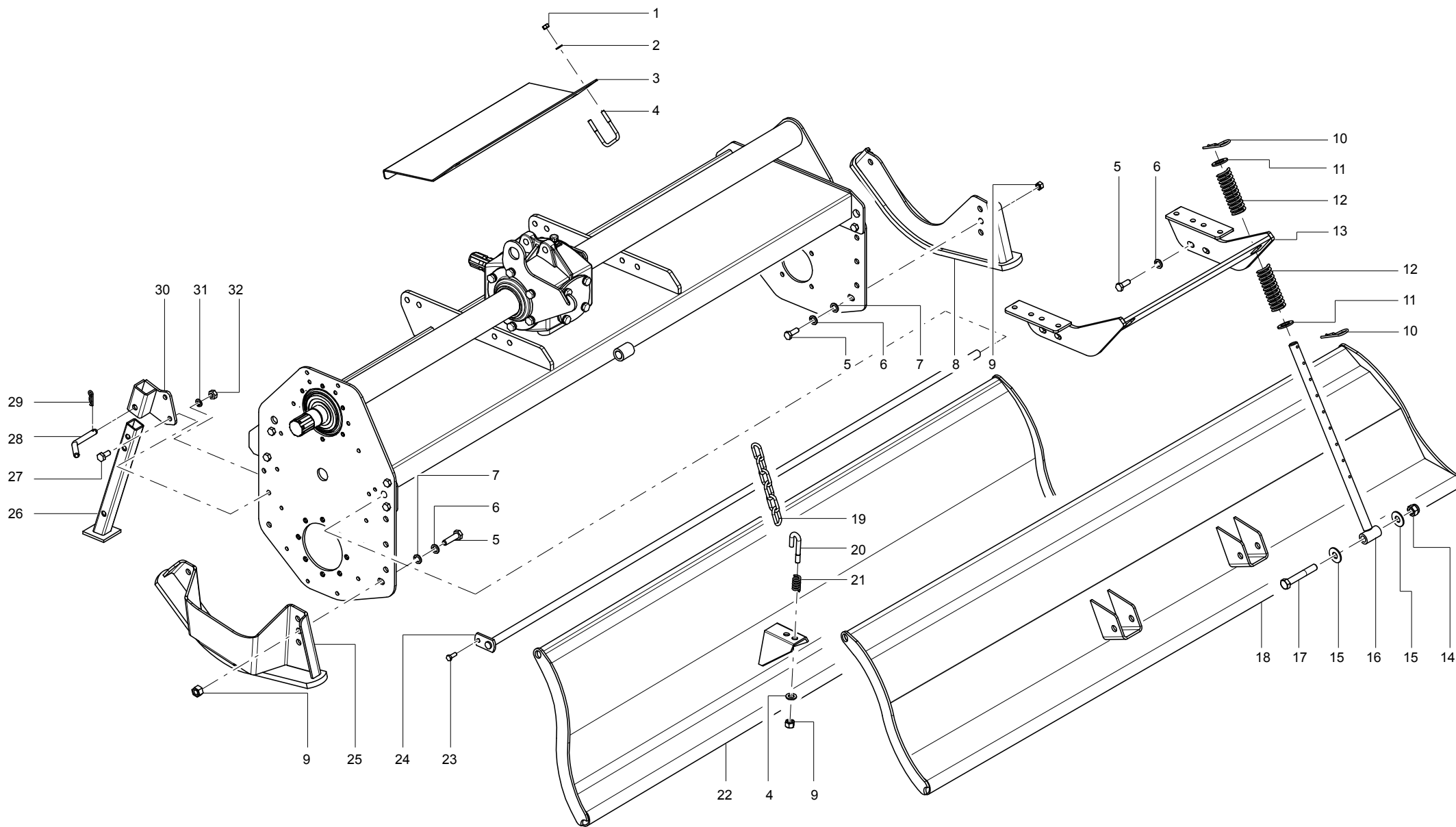
Type: FRESATRICE/TILLER
 Mod.: CS/085•105•125•135•145•165•185•205
 Rev.: 05/2016
 Tab.: 06



Pag.: 1/1

RIF	COD	DESCRIZIONE	DESCRIPTION	QTY
1	4788219	Guarnizione	Gasket	2
2	4648026	Coperchio rotore	Cover	1
3	6560010	Ingrassatore M10x1,5	Grease nipple M10x1,5	1
4	3021110035	Vite TE M10x35 UNI 5739	Screw M10x35 UNI 5739	4
5	3635100010	Rosetta grower Ø10 FIAT 10188	Washer grower Ø10 FIAT 10188	4
6	3021112025	Vite TE M12x25 UNI 5739	Screw M12x25 UNI 5739	1
7	4148029	Coperchio parapolvere interno	Cover	1
8	3614000012	Rosetta larga Ø12 UNI 593	Washer Ø12 UNI 593	1
9	2106207	Cuscinetto 6207	Bearing 6207	1
10	6204562	Paraolio 45x62x10 pp DIN 3760	Oil seal 45x62x10 pp DIN 3760	1
11	4648025	Supporto cuscinetto rotore	Support	1
12	4708028	Mozzo supporto rotore	Hub	1
13	4148030	Coperchio parapolvere esterno	External side cover	1
14	3635100012	Rosetta grower Ø12 FIAT 10188	Washer grower Ø12 FIAT 10188	12
15	3021112030	Vite TE M12x30 UNI 5739	Screw M12x30 UNI 5739	12
16	4001491	Rotore CS/085	Rotor CS/085	1
16	4001493	Rotore CS/105	Rotor CS/105	1
16	4001495	Rotore CS/125	Rotor CS/125	1
16	4001496	Rotore CS/135	Rotor CS/135	1
16	4001497	Rotore CS/145	Rotor CS/145	1
16	4001498	Rotore CS/165	Rotor CS/165	1
16	4001499	Rotore CS/185	Rotor CS/185	1
16	4001500	Rotore CS/205	Rotor CS/205	1
17	4811400	Zappa curva Dx	Right blade	-
18	3414102012	Dado M12 UNI 5587 8	Nut M12 UNI 5587 8	-
19	4811401	Zappa curva Sx	Left blade	-
20	3131112035	Vite TE M12x35 UNI 5738 PF	Screw M12x35 UNI 5738 PF	-
21	4148040	Coperchio parapolvere	Cover	1
22	3051112025	Vite TCEI M12x25 UNI 5931	Screw TCEI M12x25 UNI 5931	8
23	4728922	Mozzo ingranaggio condotto	Hub	1
24	4708071	Supporto mozzo ingranaggio condotto	Support	1
25	4788217	Guarnizione ingranaggio condotto	Gasket	1
26	6205090	Paraolio 50x90x10 DIN3760 tipo as	Oil seal 50x90x10	1
27	2106309	Cuscinetto 6309	Bearing 6309	1
28	6310100	Anello elastico x fori Ø100	Retaining ring for bores Ø100	1
29	4811403	Zappa a squadra Sx	Left square blade	-
30	4811402	Zappa a squadra Dx	Right square blade	-
31	4821402	Kit zappe a squadra CS/085 (4 zappe)	Square blades kit CS/085 (4 blades)	8
31	4821402	Kit zappe a squadra CS/085 (6 zappe) - CS/125 (4 blades)	Square blades kit CS/085 (6 blades) - CS/125 (4 blades)	12
31	4821402	Kit zappe a squadra CS/105 (4 zappe)	Square blades kit CS/105 (4 blades)	10
31	4821402	Kit zappe a squadra CS/105 (6 zappe)	Square blades kit CS/105 (6 blades)	15
31	4821402	Kit zappe a squadra CS/125 (6 zappe) - CS/185 (4 zappe)	Square blades kit CS/125 (6 blades) - CS/185 (4 blades)	18
31	4821402	Kit zappe a squadra CS/135•145 (4 zappe)	Square blades kit CS/135•145 (4 blades)	14
31	4821402	Kit zappe a squadra CS/135•145 (6 zappe)	Square blades kit CS/135•145 (6 blades)	21
31	4821402	Kit zappe a squadra CS/165 (4 zappe)	Square blades kit CS/165 (4 blades)	16
31	4821402	Kit zappe a squadra CS/165 (6 zappe)	Square blades kit CS/165 (6 blades)	24
31	4821402	Kit zappe a squadra CS/185 (6 zappe)	Square blades kit CS/185 (6 blades)	27
31	4821402	Kit zappe a squadra CS/205 (4 zappe)	Square blades kit CS/205 (4 blades)	20
31	4821402	Kit zappe a squadra CS/205 (6 zappe)	Square blades kit CS/205 (6 blades)	30
32	4821401	Kit zappe a curve CS/085 (4 zappe)	Blades kit CS/085 (4 blades)	8
32	4821401	Kit zappe a curve CS/085 (6 zappe) - CS/125 (4 zappe)	Blades kit CS/085 (6 blades) - CS/125 (4 blades)	12
32	4821401	Kit zappe a curve CS/105 (4 zappe)	Blades kit CS/105 (4 blades)	10
32	4821401	Kit zappe a curve CS/105 (6 zappe)	Blades kit CS/105 (6 blades)	15
32	4821401	Kit zappe a curve CS/125 (6 zappe) - CS/185 (4 zappe)	Blades kit CS/125 (6 blades) - CS/185 (4 blades)	18
32	4821401	Kit zappe a curve CS/135•145 (4 zappe)	Blades kit CS/135•145 (4 blades)	14
32	4821401	Kit zappe a curve CS/135•145 (6 zappe)	Blades kit CS/135•145 (6 blades)	21
32	4821401	Kit zappe a curve CS/165 (4 zappe)	Blades kit CS/165 (4 blades)	16
32	4821401	Kit zappe a curve CS/165 (6 zappe)	Blades kit CS/165 (6 blades)	24
32	4821401	Kit zappe a curve CS/185 (6 zappe)	Blades kit CS/185 (6 blades)	27
32	4821401	Kit zappe a curve CS/205 (4 zappe)	Blades kit CS/205 (4 blades)	20
32	4821401	Kit zappe a curve CS/205 (6 zappe)	Blades kit CS/205 (6 blades)	30
33	8123500032	Kit 32 viti M12x35 + dado + rosetta CS/085 (4 zappe)	32 bolts kit CS/085 (4 blades)	1
33	8123500048	Kit 48 viti M12x35 + dado + rosetta CS/085 (6 zappe) - CS/125 (4 zappe)	48 bolts kit CS/085 (6 blades) - CS/125 (4 blades)	1
33	8123500040	Kit 40 viti M12x35 + dado + rosetta CS/105 (4 zappe)	40 bolts kit CS/105 (4 blades)	1
33	8123500060	Kit 60 viti M12x35 + dado + rosetta CS/105 (6 zappe)	60 bolts kit CS/105 (6 blades)	1
33	8123500072	Kit 72 viti M12x35 + dado + rosetta CS/125 (6 zappe) - CS/185 (4 zappe)	72 bolts kit CS/125 (6 blades) - CS/185 (4 blades)	1
33	8123500056	Kit 56 viti M12x35 + dado + rosetta CS/135•145 (4 zappe)	56 bolts kit CS/135•145 (4 blades)	1
33	8123500084	Kit 84 viti M12x35 + dado + rosetta CS/135•145 (6 zappe)	84 bolts kit CS/135•145 (6 blades)	1
33	8123500064	Kit 64 viti M12x35 + dado + rosetta CS/165 (4 zappe)	64 bolts kit CS/165 (4 blades)	1
33	8123500096	Kit 96 viti M12x35 + dado + rosetta CS/165 (6 zappe)	96 bolts kit CS/165 (6 blades)	1
33	8123500108	Kit 108 viti M12x35 + dado + rosetta CS/185 (6 zappe)	108 bolts kit CS/185 (6 blades)	1
33	8123500080	Kit 80 viti M12x35 + dado + rosetta CS/205 (4 zappe)	80 bolts kit CS/205 (4 blades)	1
33	8123500120	Kit 120 viti M12x35 + dado + rosetta CS/205 (6 zappe)	120 bolts kit CS/205 (6 blades)	1

Type: FRESATRICE/TILLER
Mod.: CS/085•105•125•135•145•165•185•205
Rev.: 05/2016
Drw.: 07



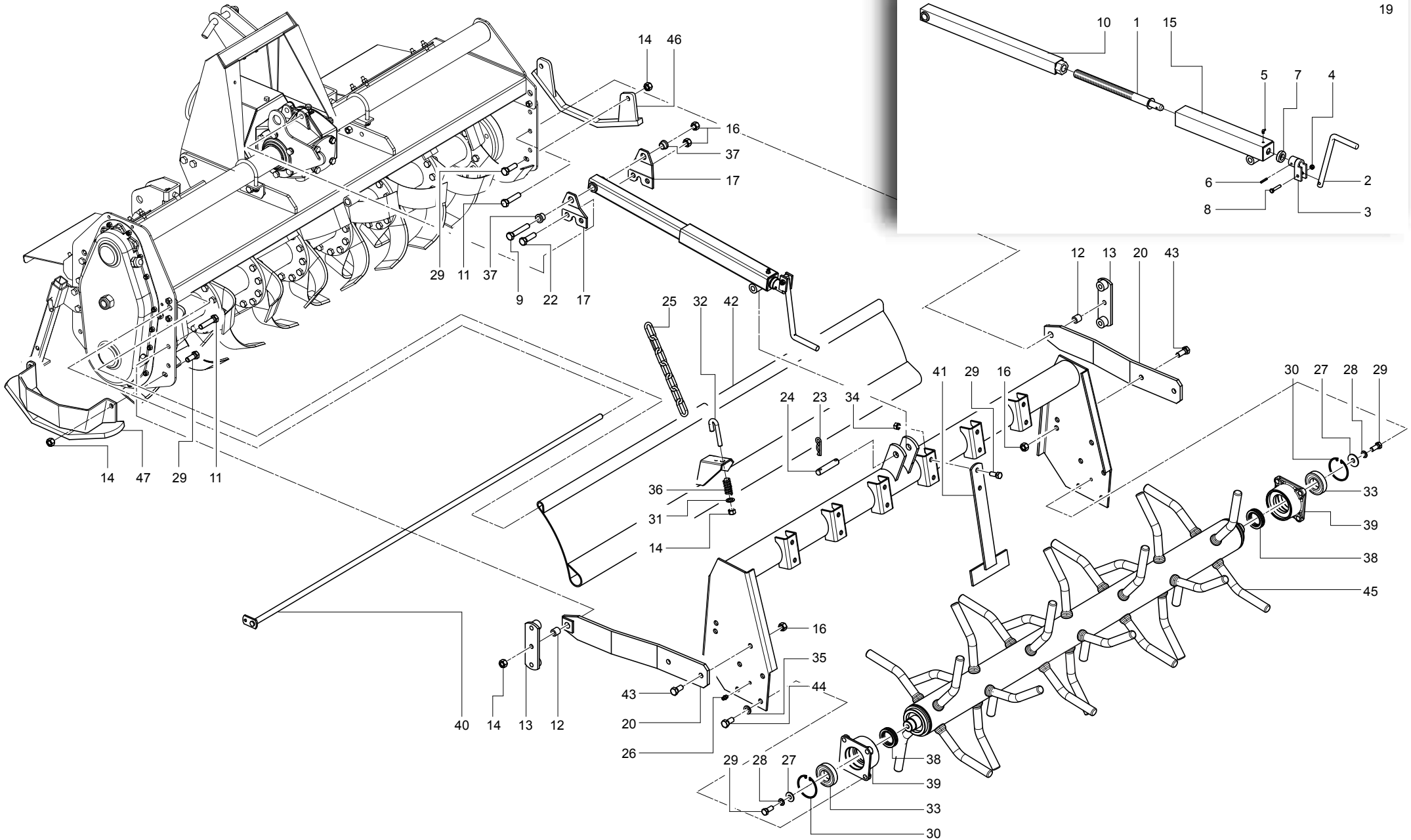
Type: FRESATRICE/TILLER
 Mod.: CS/085•105•125•135•145•165•185•205
 Rev.: 05/2016
 Tab.: 07



Pag.: 1/1

RIF	COD	DESCRIZIONE	DESCRIPTION	QTY
1	3464101008	Dado ATB M8 UNI 7473	Self locking nut M8	4
2	3604000008	Rosetts piana Ø8 UNI6592	Washer Ø8 UNI 6592	4
3	4132224	Protezioni anteriore CS/085-105	Front guard CS/085-105	2
3	4132225	Protezioni anteriore CS/125	Front guard CS/125	2
3	4132227	Protezioni anteriore CS/135	Front guard CS/135	2
3	4132229	Protezioni anteriore CS/145	Front guard CS/145	2
3	4132233	Protezioni anteriore CS/165	Front guard S/165	2
3	4132237	Protezioni anteriore CS/185	Front guard CS/185	2
3	4132241	Protezioni anteriore CS/205	Front guard CS/205	2
4	4302002	Cravatta M8 quadro 50	"U" screw	4
5	3021112035	Vite TE M12x35 UNI 5739	Screw M12x35 UNI 5739	8
6	3604000012	Rosetta piana Ø12 UNI 6592	Washer Ø12 UN I6592	8
7	3635100012	Rosetta grower Ø12 FIAT 10188	Washer grower Ø12	6
8	4001628	Slitta lato esterno	Right skid	1
9	3464101012	Dado ATB M12 UNI 7473 alto	Self locking nut M12 UNI 7473	8
10	6351004	Coppiglia ad "R" Ø4	Split pin "R" Ø4	4
11	3604100020	Rosetta piana Ø20 UNI 6592	Washer Ø20 UNI 6592	4
12	4214577	Molla premicofano	Spring	4
13	4001639	Telaio supporto premicofano	Bonnet support frame	1
14	3444101014	Dado ATB M14 DIN 980	Self locking nut M14 DIN 980	2
15	3604100014	Rosetta piana Ø14 UNI 6592	Washer Ø14 UNI 6592	4
16	4004030	Asta di regolazione	Adjustment rod	2
17	3011114080	Vite TE M14x80 UNI 5737	Screw M14x80 UNI 5737	2
18	4001644	Coperchio tipo "E" CS/085	Type "E" bonnet CS/085	1
18	4001645	Coperchio tipo "E" CS/105	Type "E" bonnet CS/105	1
18	4001646	Coperchio tipo "E" CS/125	Type "E" bonnet CS/125	1
18	4001647	Coperchio tipo "E" CS/135	Type "E" bonnet CS/135	1
18	4001648	Coperchio tipo "E" CS/145	Type "E" bonnet CS/145	1
18	4001649	Coperchio tipo "E" CS/165	Type "E" bonnet CS/165	1
18	4001650	Coperchio tipo "E" CS/185	Type "E" bonnet CS/185	1
18	4001651	Coperchio tipo "E" CS/205	Type "E" bonnet CS/205	1
19	4674003	Catena coperchio Usual 25-13 ma.	Chain mg 13	2
20	4302183	Gancio per molla coperchio posteriore	Chain hook	2
21	4212214	Molla ammortizzatore	Spring	2
22	4001524	Coperchio CS/085	Bonnet CS/085	1
22	4001526	Coperchio CS/105	Bonnet CS/105	1
22	4001528	Coperchio CS/125	Bonnet CS/125	1
22	4001529	Coperchio CS/135	Bonnet CS/135	1
22	4001530	Coperchio CS/145	Bonnet CS/145	1
22	4001531	Coperchio CS/165	Bonnet CS/165	1
22	4001532	Coperchio CS/185	Bonnet CS/185	1
22	4001538	Coperchio CS/205	Bonnet CS/205	1
23	3021108020	Vite TE M8x20 UNI 5739	Screw M8x20 UNI 5739	1
24	4001566	Perno CS/085	Pin CS/085	1
24	4001568	Perno CS/105	Pin CS/105	1
24	4001570	Perno CS/125	Pin CS/125	1
24	4001571	Perno CS/135	Pin CS/135	1
24	4001572	Perno CS/145	Pin CS/145	1
24	4001573	Perno CS/165	Pin CS/165	1
24	4001574	Perno CS/185	Pin CS/185	1
24	4001589	Perno CS/205	Pin CS/205	1
25	4001627	Slitta lato trasmissione	Left skid	1
26	4001234	Piedino di appoggio	Foot	1
27	3021110025	Vite TE M10x25 UNI 5739	Screw M10x25 UNI 5739	2
28	4236115	Perno bloccaggio piedino	Pin	1
29	6351003	Coppiglia ad "R" Ø3	Split pin "R" Ø3	1
30	4001682	Supporto piedino	Support	1
31	3604100010	Rosetta piana Ø10 UNI 6592	Washer Ø10 UNI 6592	2
32	3444101010	Dado ATB M10 Din 980	Self locking nut M10 Din 980	2

Type: FRESATRICE/TILLER
Mod.: CS/085•105•125•135•145•165•185•205
Rev.: 05/2016
Drw.: 08

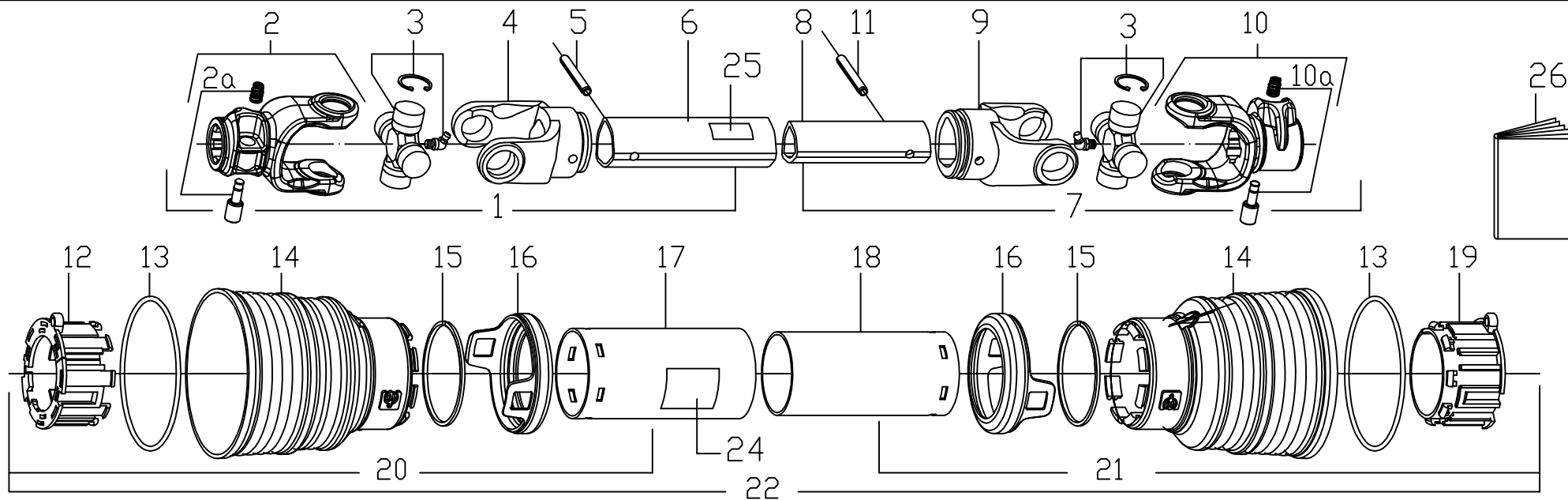


Type: FRESATRICE/TILLER
 Mod.: CS/085•105•125•135•145•165•185•205
 Rev.: 05/2016
 Tab.: 08



Pag.: 1/1

RIF	COD	DESCRIZIONE	DESCRIPTION	QTY
1	4004150	Vite registro rullo	Screw	1
2	4334001	Manovella di registro	Lever	1
3	4005303	Attacco per manovella	Connection	1
4	34106008	Dado ATB M8 pg alto	Self locking nut M8 pg	1
5	35607006	Ingrassino M6x1 a 90°	Grease nipple M6x1 90°	1
6	6330536	Spina elastica Ø5x36	Split pin Ø5x36	1
7	4333039	Boccola distanziale vite	Bushing	1
8	30080045	Vite M8x1,25x45 UNI5737	Screw M8x1,25x45 UNI5737	1
9	3011114080	Vite M14x2x80 UNI5737	Screw M14x2x80 UNI5737	1
10	4004149	Tubo registro interno	Telescopic piping	1
11	3021112050	Vite M12x1,75x50 UNI5739	Screw M12x1,75x50 UNI5739	2
12	4331402	Distanziale braccio laterale	Spacer	2
13	4001410	Piastra di attacco	Plate	2
14	3464101012	Dado ATB M12 pg alto	Self locking nut M12 pg	7
15	4004148	Tubo registro esterno	Telescopic piping	1
16	3464101014	Dado ATB M14 pg alto	Self locking nut M14 pg	7
17	4131422	Piastra aggancio vite	Plate	2
18	3021112030	Vite M12x1,75x30 UNI5739 CS/125•145	Screw M12x1,75x30 UNI5739 CS/125•145	8
18	3021112030	Vite M12x1,75x30 UNI5739 CS/165•185	Screw M12x1,75x30 UNI5739 CS/165•185	12
19	4004147	Registro rullo	Register	1
20	4001411	Braccio laterale	Arm	2
21	4001420	Telaio rullo CS/125	Frame CS/125	1
21	4001421	Telaio rullo CS/145	Frame CS/145	1
21	4001422	Telaio rullo CS/165	Frame CS/165	1
21	4001423	Telaio rullo CS/185	Frame CS/185	1
22	3011114050	Vite M14x2x50 UNI5737	Screw M14x2x50 UNI5737	2
23	6351004	Copiglia a "R" Ø4	Splint pin "R" Ø4	2
24	4304003	Perno fissaggio tirante	Pin	1
25	4508703	Catena coperchio 12 maglie	Chian	1
26	35600010	Ingrassino diritto M10x1,25	Grease nipple M10x1,25	2
27	3614000012	Rondella Ø12x48 UNI6593	Washer Ø12x48 UNI6593	2
28	3625100012	Grower Ø12 UNI1751	Washer Ø12 UNI1751	2
29	3021112030	Vite M12x1,75x30 UNI5739	Screw M12x1,75x30 UNI5739	6
30	6310072	Seeger i Ø72	Circlip i Ø72	2
31	3604100012	Rondella Ø12 UNI6592	Washer Ø12 UNI6592	1
32	4302183	Gancio per molla	Hook for spring	1
33	2106207	Cuscinetto 6207	Bearing 6207	2
34	34100012	Dado M12 pg UNI5587 CS/125•145	Nut M12 pg UNI5587 CS/125•145	8
34	34100012	Dado M12 pg UNI5587 CS/165•185	Nut M12 pg UNI5587 CS/165•185	12
35	3414102012	Grower Ø12 UNI1751	Washer Ø12 UNI1751	8
36	4212214	Molla ammortizzatore	Spring	1
37	4301588	Boccola di adattameneto	Bushing	2
38	6204200	Gruppo gnl mf.4200	Oil seal gnl mf.4200	2
39	4705001	Supporto cuscinetto	Support	2
40	4001570	Perno CS/125	Pin CS/125	1
40	4001572	Perno CS/145	Pin CS/145	1
40	4001573	Perno CS/165	Pin CS/165	1
40	4001574	Perno CS/185	Pin CS/185	1
41	4007617	Raschiarullo corto	Scraper	2
42	4001412	Coperchio rullo CS/125	Bonnet CS/125	1
42	4001413	Coperchio rullo CS/145	Bonnet CS/145	1
42	4001414	Coperchio rullo CS/165	Bonnet CS/165	1
42	4001415	Coperchio rullo CS/185	Bonnet CS/185	1
43	3021114035	Vite M14x2x35 UNI5739	Screw M14x2x35 UNI5739	4
44	3021114030	Vite M14x2x30 UNI5739	Screw M14x2x30 UNI5739	8
45	4007630	Rullo a spuntone CS/125	Spike roller CS/125	1
45	4007632	Rullo a spuntone CS/145	Spike roller CS/145	1
45	4007634	Rullo a spuntone CS/165	Spike roller CS/165	1
45	4007635	Rullo a spuntone CS/185	Spike roller CS/185	1
46	4001459	Protezione lato esterno	Rh, protection	1
47	4001458	Protezione carter	Lh, rotection	1



13	2	STIFFENING RING	1215733
12	1	TUBE BEARING (outer tube)	1785710
11	1	10x65 1485DIN ROLL PIN (inner tube)	6331065
10a	1	PUSH PIN KIT	1581037
10	1	YOKE ASSEMBLY (IMPLEMENT END)	1025010
9	1	INNER TUBE YOKE	1705029
8	1	INNER TUBE	1526047
7	1	HALF INNER SHAFT	3205510
6	1	OUTER TUBE	1527047
5	1	10x75 1485DIN ROLL PIN (outer tube)	6331075
4	1	OUTER TUBE YOKE	1705027
3	2	CROSS ASSEMBLY	1005020
2a	1	PUSH PIN KIT	1581037
2	1	YOKE ASSEMBLY (TRACTOR END)	1025010
1	1	HALF OUTER SHAFT	2200501



26	1	PM57 USER MANUAL	1140957
25	1	"CE" INNER DECAL	1140011
24	1	"CE" OUTER DECAL	1140010
23	2	ANTIROTATION CHAIN	1006065
22	1	COMPLETE PROTECTION	90SS5037
21	1	HALF INNER PROTECTION	90XS5037
20	1	HALF OUTER PROTECTION	90SX5037
19	1	TUBE BEARING (inner tube)	1785711
18	1	INNER TUBE SHIELD	1877037
17	1	OUTER TUBE SHIELD	1776037
16	2	SAFETY SLEEVE	1885709
15	2	STOP RING	1215735
14	2	STANDARD CONE	1785703

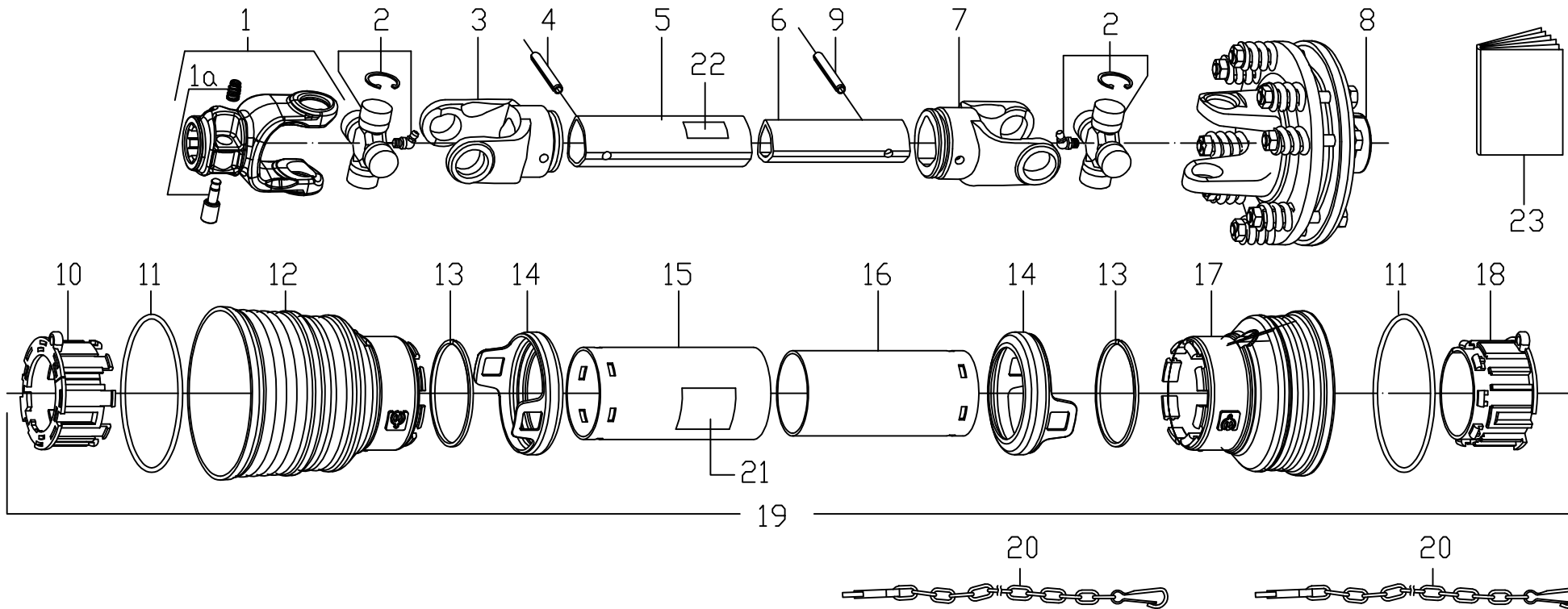
DET.	QTY	DESCRIPTION	CODE	DET.	QTY	DESCRIPTION	CODE
A		xxxxxxxxxxxxxxxxxxxxxxxxxxxxxx					
rev.		description					

customer: SICMA customer part no.: xxxx
 note: xxxxxxxxxxxxxxxx weight [kg/lb]----/---
 title: AX5 620/842 1025010-1025010 CE SS



e.da Saletti 66041 Atessa (CH) - Italy

drawn: A. CAVALLETTI date: 27/06/2007
 scale: 1:1 A4 rev.: -
 part no.: 8200501



12	1	STANDARD CONE	1785703				
11	2	STIFFENING RING	1215733				
10	1	TUBE BEARING (outer tube)	1785710	23	1	USER'S MANUAL	1140957
9	1	8x65 1485DIN ROLL PIN (inner tube)	6331065	22	1	INNER DECAL	1140011
8	1	TORQUE LIMITER, 2 FRICTION DISCS (FD1)	1345018	21	1	OUTER DECAL	1140010
7	1	INNER TUBE YOKE	1705029	20	2	ANTIROTATION CHAIN	1006065
6	1	INNER TUBE	1526044	19	1	COMPLETE PROTECTION	90SC5034
5	1	OUTER TUBE	1527044	18	1	TUBE BEARING (inner tube)	1785711
4	1	8x75 1485DIN ROLL PIN (outer tube)	6331075	17	1	SHORT CONE	1785702
3	1	OUTER TUBE YOKE	1705027	16	1	INNER TUBE SHIELD	1877034
2	2	CROSS ASSEMBLY	1005020	15	1	OUTER TUBE SHIELD	1776034
1a	1	PUSH PIN KIT	1581038	14	2	SAFETY SLEEVE	1885709
1	1	YOKE ASSEMBLY (TRACTOR END)	1025010	13	2	STOP RING	1215735

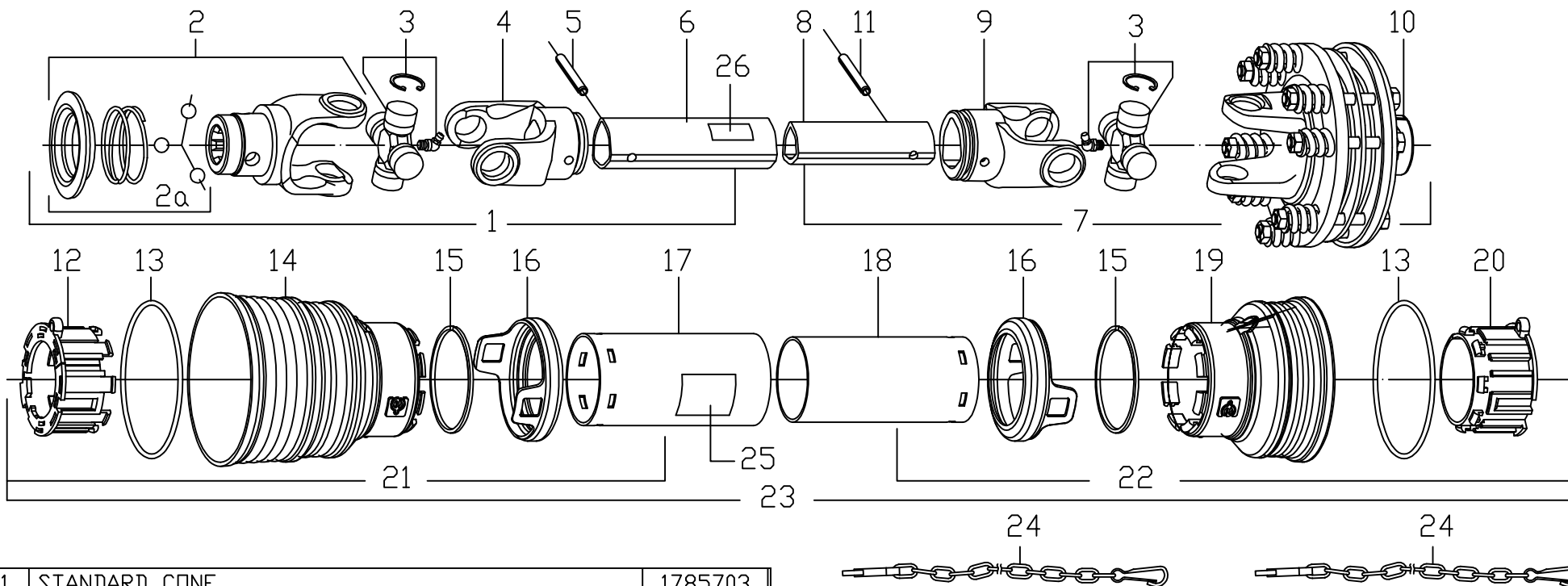
DET.	QTY	DESCRIPTION	CODE	DET.	QTY	DESCRIPTION	CODE
A		xxxxxxxxxxxxxxxxxxxxxxxxxxxxxx					
rev.		description					

customer: SICMA customer part no:
 note: xxxxxxxxxxxxxxxx weight [kg/lb]----/---
 title: SPARE PARTS LAY OUT
 AX5 590/847 1025010-1345018 CE SC



e.da Saletti 66041 Atessa (CH) - Italy

drawn: D. BASTI date: 21/05/2007
 scale: no A4 rev.: -
 part no: 8201505



14	1	STANDARD CONE	1785703				
13	2	STIFFENING RING	1215733	7+22	1	HALF INNER SHAFT ASSEMBLY (implement end)	5101500
12	1	TUBE BEARING (outer tube)	1785710	1+21	1	HALF OUTER SHAFT ASSEMBLY (tractor end)	4101500
11	1	8x65 1485DIN ROLL PIN (inner tube)	6331065	26	1	INNER DECAL	1140003
10	1	TORQUE LIMITER, 2 FRICTION DISCS (FD1)	1345018	25	1	OUTER DECAL	1140001
9	1	INNER TUBE YOKE	1705029	24	2	ANTIROTATION CHAIN	1006065
8	1	INNER TUBE	1526034	23	1	COMPLETE PROTECTION	90SC5024
7	1	HALF INNER SHAFT	3101500	22	1	HALF INNER PROTECTION	90XC5024
6	1	OUTER TUBE	1527034	21	1	HALF OUTER PROTECTION	90SX5024
5	1	8x75 1485DIN ROLL PIN (outer tube)	6331075	20	1	TUBE BEARING (inner tube)	1785711
4	1	OUTER TUBE YOKE	1705027	19	1	SHORT CONE	1785702
3	2	CROSS ASSEMBLY	1005020	18	1	INNER TUBE SHIELD	1877024
2a	1	PULL COLLAR KIT EVOLUTION	1004227	17	1	OUTER TUBE SHIELD	1776024
2	1	YOKE ASSEMBLY (TRACTOR END)	1015013	16	2	SAFETY SLEEVE	1885709
1	1	HALF OUTER SHAFT	2101500	15	2	STOP RING	1215735

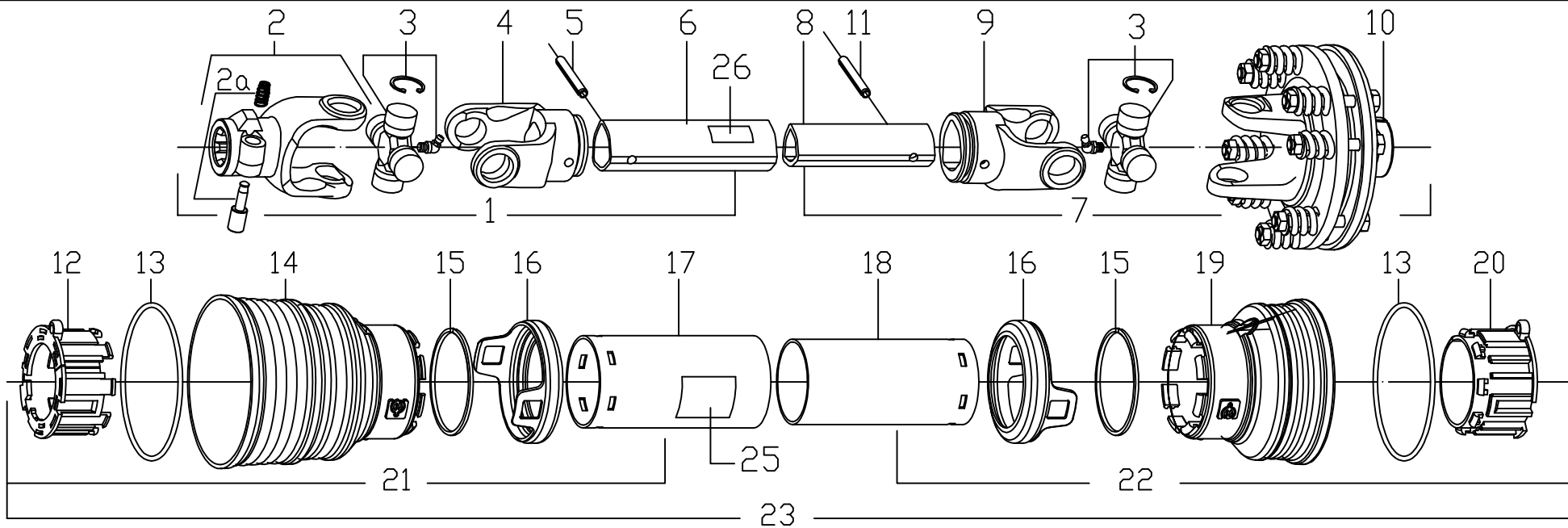
DET.	QTY	DESCRIPTION	CODE	DET.	QTY	DESCRIPTION	CODE
B		Aggiunti codici semialberi (Half shaft part# added)					
A		Forcella lato trattore (tractor end yoke) 1015013 era (was) 1015010					
rev.		description					

customer: SICMA customer part no.: xxxxxxxxxxxx
 note: xxxxxxxxxxxxxxxx weight [kg/lb]:---/---
 title: AX5 490/749 1015013-1345018 CP SC



e.da Saletti 66041 Atessa (CH) - Italy

drawn: D. BASTI date: 12/04/2000
 scale: no A4 rev.: B
 part no.: 8101500



14	1	STANDARD CONE	E1785703				
13	2	STIFFENING RING	E1215733				
12	1	TUBE BEARING (outer tube)	E1785710	27			
11	1	8x65 1485DIN ROLL PIN (inner tube)	E6331065	26	1	INNER DECAL	E1140003
10	1	TORQUE LIMITER, 2 FRICTION DISCS (FD1)	E1345018	25	1	OUTER DECAL	E1140001
9	1	INNER TUBE YOKE	E1705029	24	2	ANTIROTATION CHAIN	E1006065
8	1	INNER TUBE	E1526044	23	1	COMPLETE PROTECTION	E90SC5034
7	1	HALF INNER SHAFT	E3201507	22	1	HALF INNER PROTECTION	E90XC5034
6	1	OUTER TUBE	E1527044	21	1	HALF OUTER PROTECTION	E90SX5034
5	1	8x75 1485DIN ROLL PIN (outer tube)	E6331075	20	1	TUBE BEARING (inner tube)	E1785711
4	1	OUTER TUBE YOKE	E1705027	19	1	SHORT CONE	E1785702
3	2	CROSS ASSEMBLY	E1005020	18	1	INNER TUBE SHIELD	E1877034
2a	1	PUSH PIN KIT	E1581038	17	1	OUTER TUBE SHIELD	E1776034
2	1	YOKE ASSEMBLY (TRACTOR END)	E1025010	16	2	SAFETY SLEEVE	E1885709
1	1	HALF OUTER SHAFT	E2201507	15	2	STOP RING	E1215735

DET.	QTY	DESCRIPTION	CODE	DET.	QTY	DESCRIPTION	CODE
A		xxxxxxxxxxxxxxxxxxxxxxxxxxxxxx	I.A.	23/02/00			
rev.		description	name	date			

customer: SICMA	customer part no.:		drawn: D. BASTI	date: 18/04/2005
note:	weight [kg/lb]:---/--		scale: no	rev.: -
title: SPARE PARTS LAY-OUT			part no.:	
AX5 590/847 1025010-1345018 CP SC		e.da Saletti 66041 Atessa (CH) - Italy		E8201507