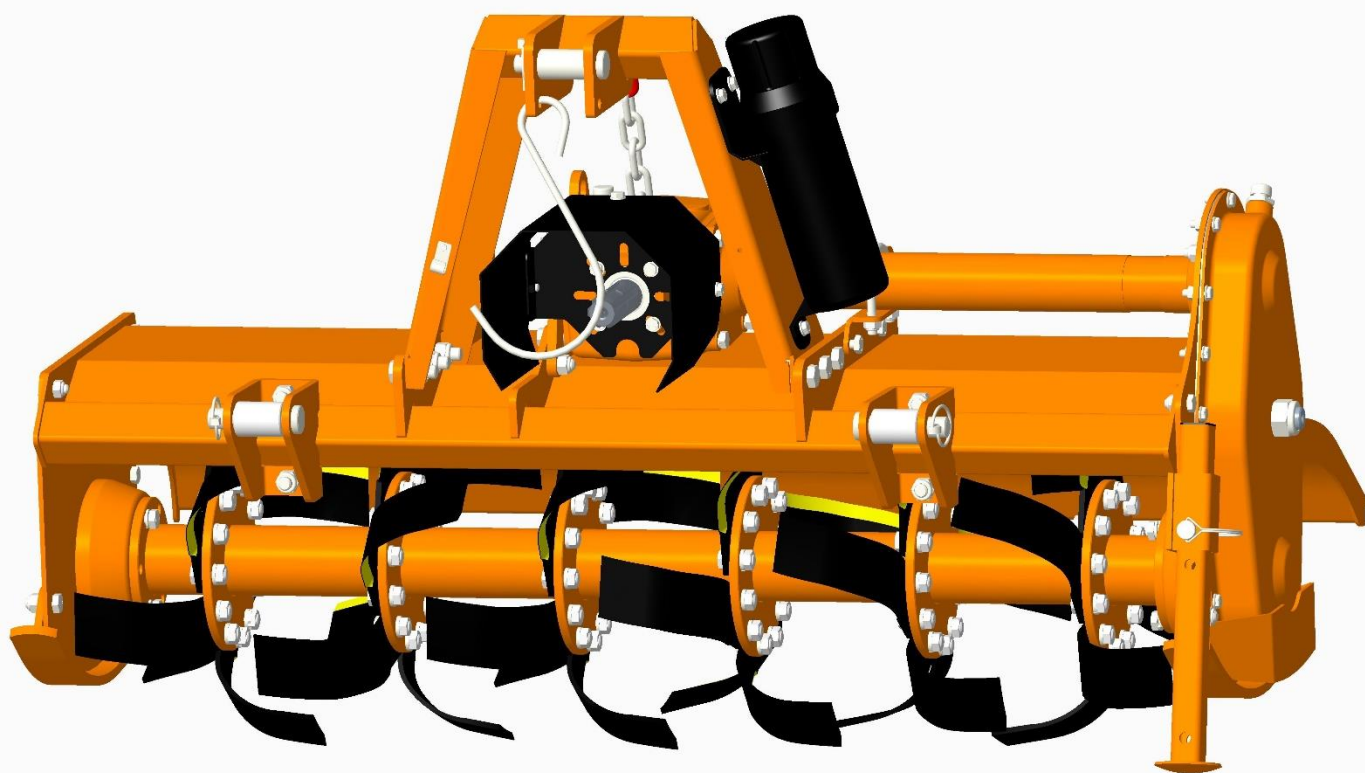


ROTARY TILLER UL-SERIES



PART'S MANUAL

Tirth Agro Technology Pvt. Ltd.

ISO 9001:2015 CE Certified Company

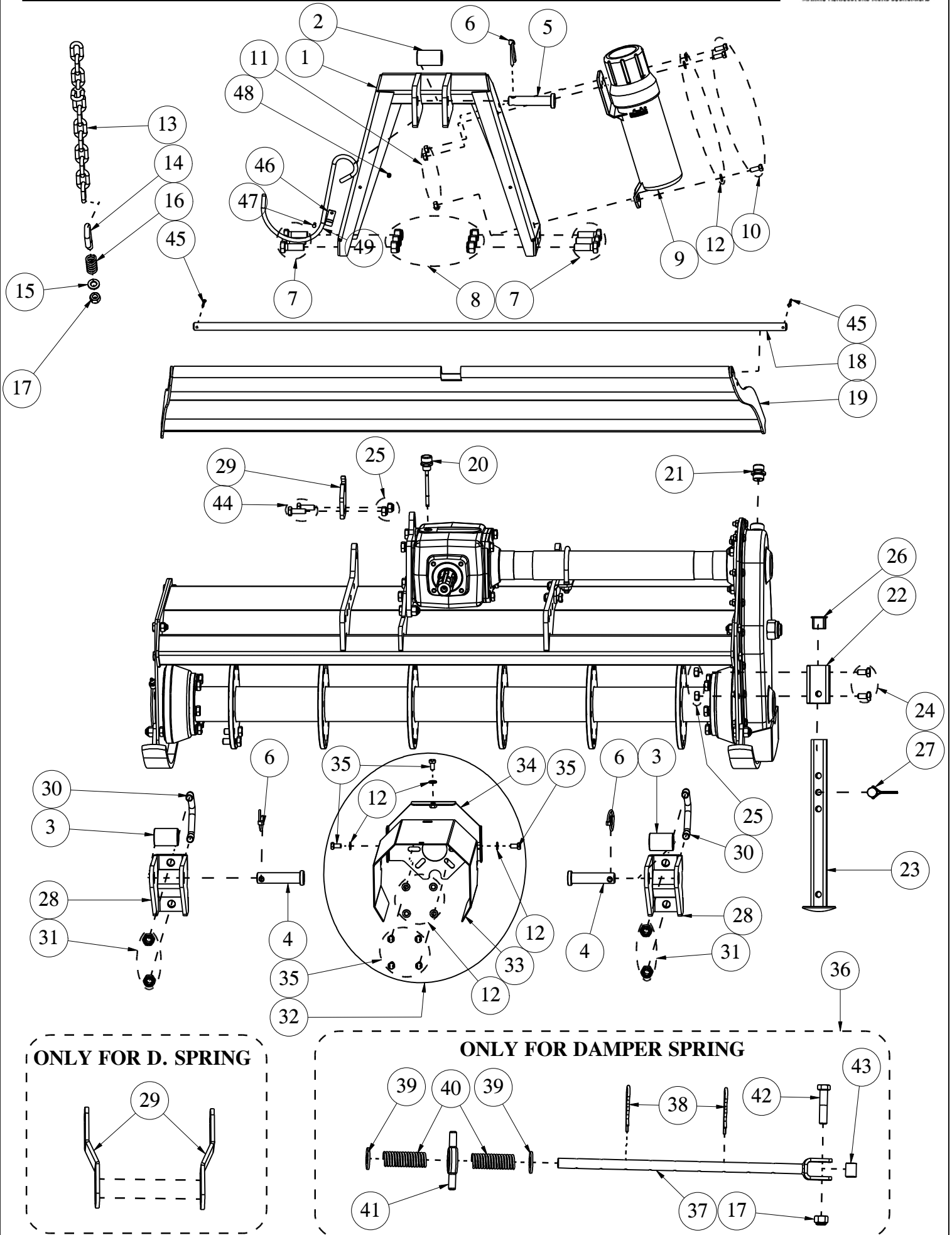
PM1121-21EN-AUG_21

INDEX



Page No.	Description	Revision Date
1.1	ACCESSORIES PARTS	PM1121-31EN-REV_000_AUG_21
1.2	ACCESSORIES PARTS	PM1121-31EN-REV_000_AUG_21
2.1	MACHINE PARTS (GEAR DRIVE)	PM1121-31EN-REV_000_AUG_21
2.2	MACHINE PARTS (GEAR DRIVE)	PM1121-31EN-REV_000_AUG_21
3.1	GEAR BOX PARTS	PM1121-31EN-REV_000_AUG_21
3.2	GEAR BOX PARTS	PM1121-31EN-REV_000_AUG_21
4.1	SIDE DRIVE PARTS (GEAR DRIVE)	PM1121-31EN-REV_000_AUG_21
4.2	SIDE DRIVE PARTS (GEAR DRIVE)	PM1121-31EN-REV_000_AUG_21
5.1	STUB AXLE PARTS	PM1121-31EN-REV_000_AUG_21
5.2	STUB AXLE PARTS	PM1121-31EN-REV_000_AUG_21
6.1	ROTOR PARTS	PM1121-31EN-REV_000_AUG_21
6.2	ROTOR PARTS	PM1121-31EN-REV_000_AUG_21
7.1	SHEAR BOLT PTO	PM1121-31EN-REV_000_AUG_21
7.2	SHEAR BOLT PTO	PM1121-31EN-REV_000_AUG_21

ACCESSORIES PARTS

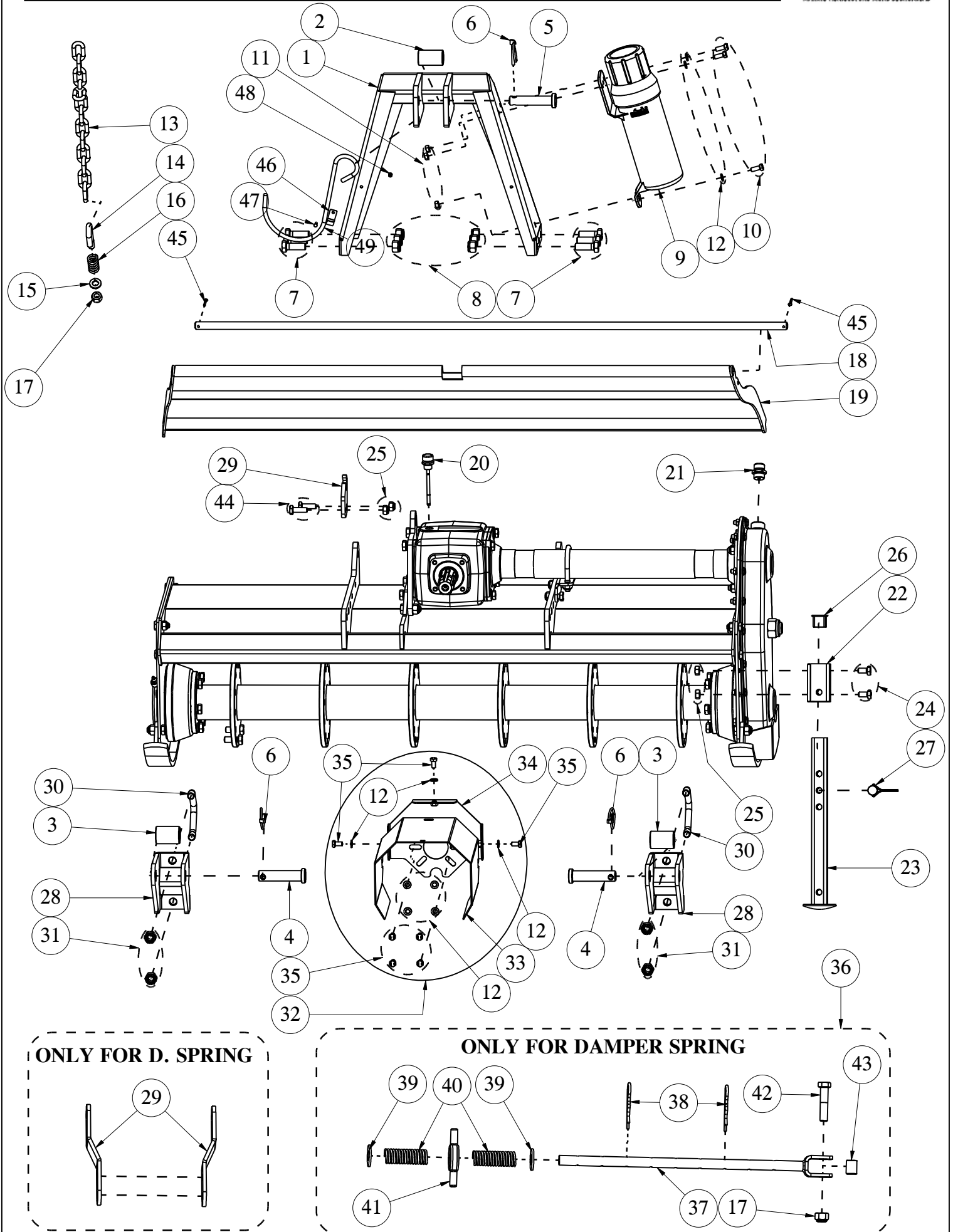


ACCESSORIES PARTS



Sr. No.	Part No.	Description	Qty.
1	14375	TOP MAST COMP.	1
2	14038	BUSH (DIA. 19.5 X 31.5 X 52 L)	1
3	14016	BUSH (DIA. 36.5 X 22.5 X 50 L)	2
4	14015	HITCH PIN BOTTOM CAT-I (DIA-22 X 99)	2
5	14037	HINCH PIN TOP CAT-I (DIA- 19 X 98)	1
6	8204	LINCH PIN SMALL	3
7	23318	HEX BOLT M14X1.50X40(DIN931)(8.8)(ZP)	6
8	1302	NYLOCK NUT M14X1.50 (DIN-982)	6
9	26030	MANUAL BOX COVER 1/2	1
10	8040	HEX BOLT M8X1.25X20(IS1364-2)(8.8)(ZP)	3
11	8181	HEX NUT M8X1.25(IS 1363)(8)(ZP)	3
12	8064	PLAIN WASHER 8MM (BS-4320)	10
13	14073	LIFTING CHAIN TB	1
14	14004	J-BOLT M12 x 1.75 x 24 x 87.5 x 25TL	1
15	8126	PLAIN WASHER 12MM (BS-4320)	1
16	14005	U-BOLT SPRING	1
17	1209	NYLOCK NUT M12X1.75 (DIN-982)	2
18	10203	TRAILING BOARD ROD 0.9M	1
	10303	TRAILING BOARD ROD 1.05M	
	10210	TRAILING BOARD ROD 1.2M	
	14050	TRAILING BOARD ROD 1.5M	
19	10201	TRAILING BOARD COMP 0.9M	1
	10299	TRAILING BOARD COMP 1.05M	
	10208	TRAILING BOARD COMP 1.2M	
	14272	TRAILING BOARD COMP 1.2M CM	
	14003	T B COMP 1.5M	
20	14317	DIPSTICK 90MM (M16 X 1.5) (1MLSR203)	1
21	14310	AIR BREATHER 1/2" BSP (1GTSR38)	1
22	14012	M/C MOUN STAND COMP	1
23	14013	M/C STAND PIPE COMP	1

ACCESSORIES PARTS

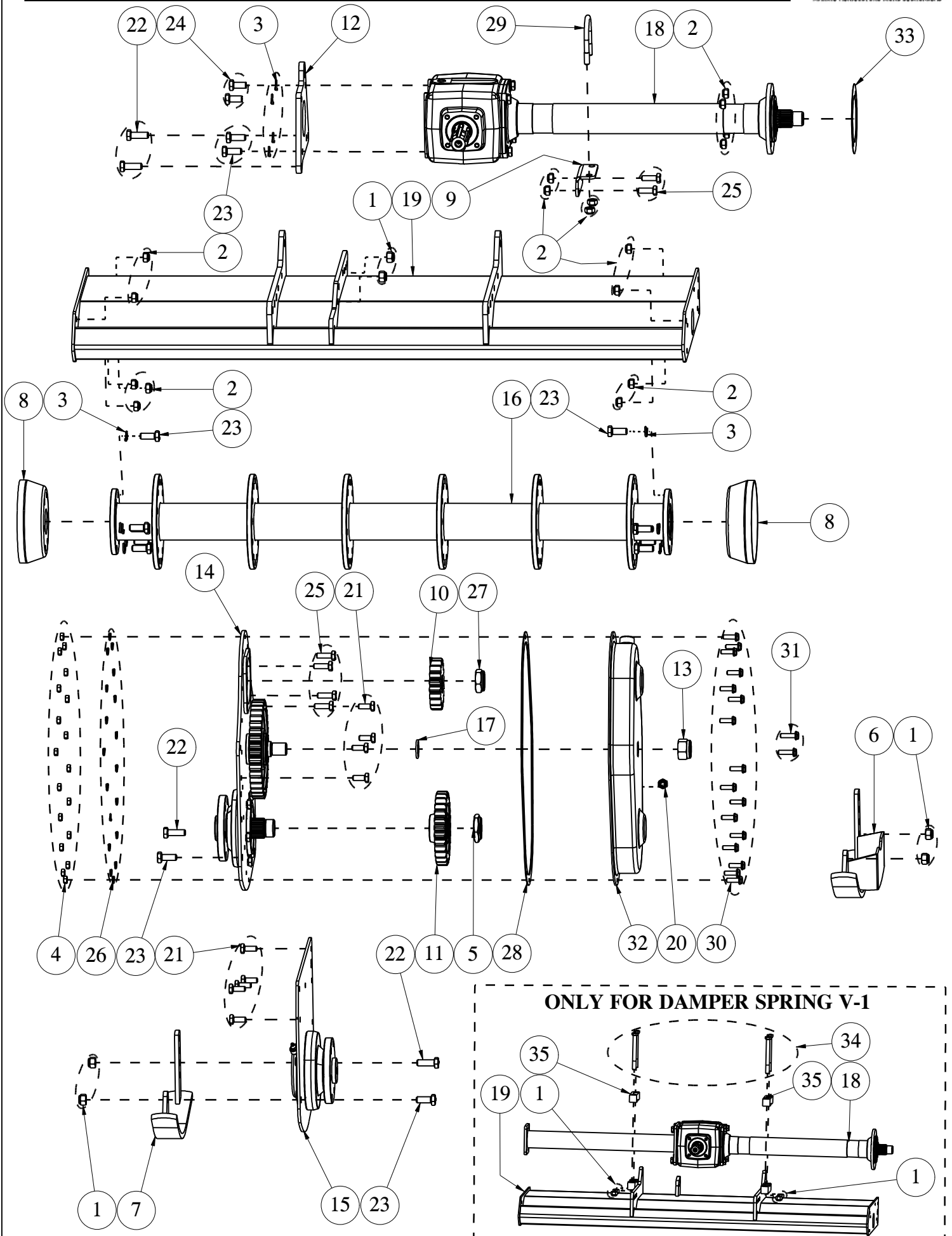


ACCESSORIES PARTS



Sr. No.	Part No.	Description	Qty.
24	17276	HEX BOLT M10X1.50X20(DIN933)(8.8)(ZP)	2
25	1299	HEX NUT M10X1.50(IS 1363)(8)(ZP)	4
26	14266	SQ. PIPE PLASTIC CAP 32MM	1
27	14267	SQ. SNAPPER PIN D10 X L70	1
28	14378	HITCHING BRACKET COMP	2
29	14400	BRACKET, DAMPER SPRING ASM.	2
	14258	CHAIN LIFTING HOOK	1
30	14424	V-BOLT M14X2X90X78X23 TL (8.8)	2
31	1574	NYLOCK NUT M14X2.00 (DIN-982)	4
32	14172	PTO SHAFT GUARD ASSEMBLY (SMALL)	1
33	14170	PTO SHAFT GUARD (SMALL)	1
34	14171	PTO SHAFT GUARD MOUNT PLATE COMP (SMALL)	1
35	8190	HEX BOLT M8X1.25X15(IS1364-2)(8.8)(ZP)	7
36	13126	DAMPER SPRING ROD ASSY	1
37	13113	DAMPER SPRING ROD COMP	1
38	15055	R-CLIP WIRE DIA 4.00MM	2
39	13114	DAMPER SPRING ROD WASHER	2
40	13144	DAMPER SPRING	2
41	1200	DAMPER SPRING COLLAR	1
42	15027	HEX BOLT M12X1.75X55(IS1364-1)(8.8)(ZP)	1
43	13115	TB DAMPER ROD BUSH	1
44	3340	HEX BOLT M10X1.50X30(DIN933)(8.8)(ZP)	2
45	19018	COTTER PIN (DIA 4 X 35)	2
46	23147	PLATE,HOOK HOLDING	1
47	35098	HEX BOLT M4X0.75X15(IS1364-2)(8.8)(ZP)	1
48	24529	NYLOCK NUT M4 X 0.75 - SCH	1
49	14340	DRIVELINE HOOK 250MM	1

MACHINE PARTS (GEAR DRIVE)

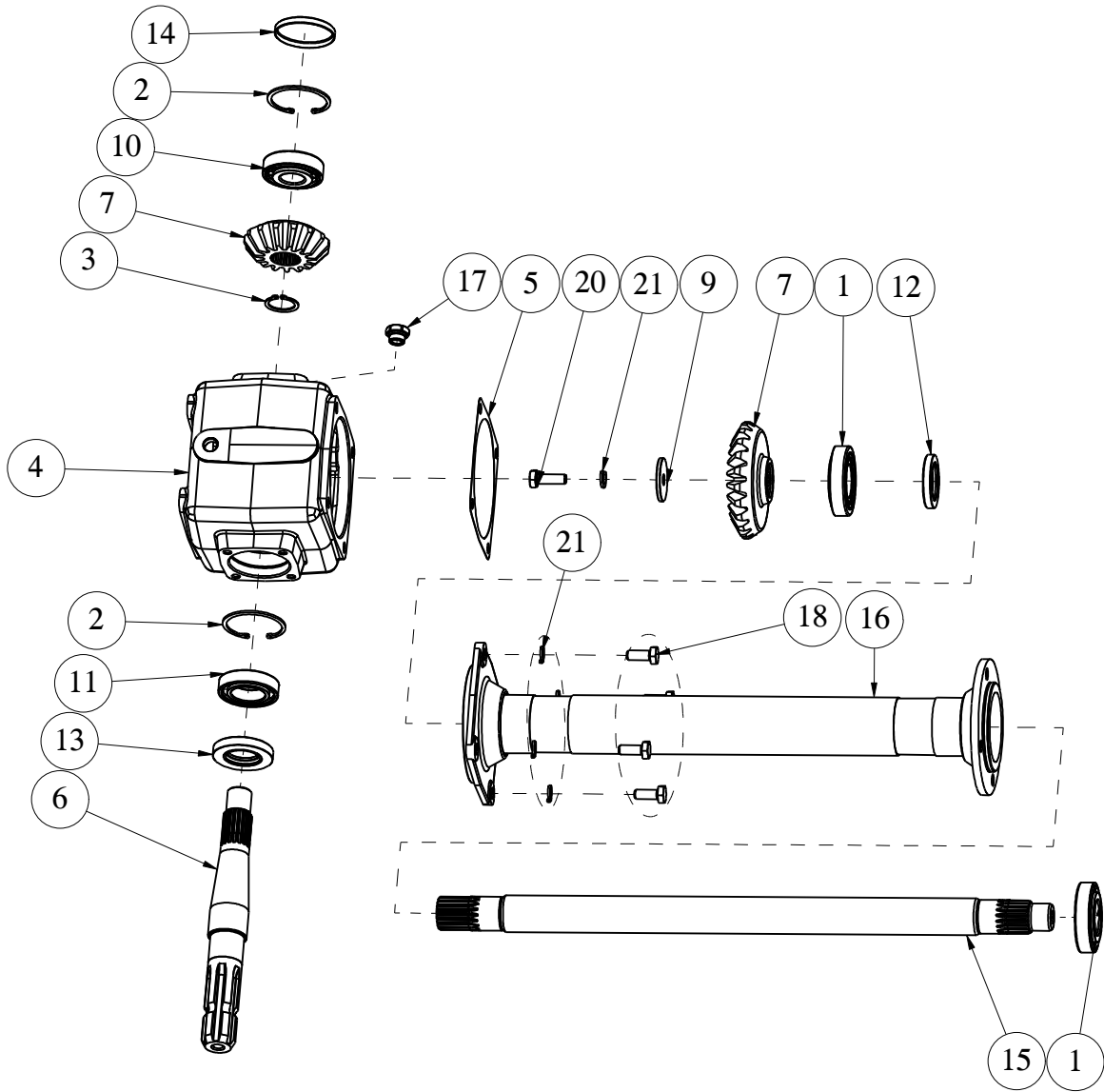


MACHINE PARTS (GEAR DRIVE)

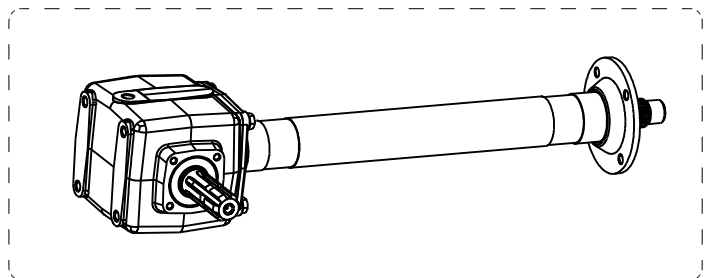
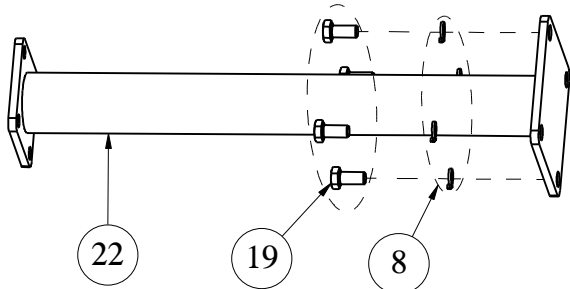


Sr. No.	Part No.	Description	Qty.
1	1209	NYLOCK NUT M12X1.75 (DIN-982)	6
		NYLOCK NUT M12X1.75 (DIN-982) (ONLY FOR DS V-1)	10
2	1298	NYLOCK NUT M10X1.50 (DIN-982)	17
3	1306	SPRING WASHER M12.00(IS 3063)	16
4	8181	HEX NUT M8X1.25(IS 1363)(8)(ZP)	18
5	1449	NYLOCK NUT M35X1.50	1
6	14009	DEPTH SKID COMP LH	1
7	14010	DEPTH SKID COMP RH	1
8	14020	DUST COVER	2
9	14027	JACK SHAFT HOUSING MOUN PLATE	1
10	14032	GEAR 18 TEETH	1
11	14034	GEAR 27 TEETH	1
12	14042	GEAR BOX MOUN PLATE	1
13	14065	NYLOCK NUT M24X2.00 (DIN-982)	1
14	14077	R D PLATE ASSEMBLY	1
15	14078	S D PLATE ASSEMBLY	1
16	-	SEE THE ROTOR PARTS PAGE	-
17	14131	O RING 30 x 3.50	1
18	-	SEE THE GEAR BOX PARTS PAGE	-
19	10200	HULL COMP 0.9M	1
	10297	HULL COMP 1.05M	1
	10207	HULL COMP 1.2M	1
	14271	HULL COMP 1.2M CM	1
	14001	HULL COMP 1.5M	1
	14405	HULL COMP. CM DS 1.2M	1
	101106263	WELD ASSEMBLY, HULL COMP U-1.2M (ONLY FOR DS V-1)	1
20	14313	OIL LEVEL GAUGE 1/4" BSP (1GTLN110)	1
21	17270	HEX BOLT M10X1.50X25(DIN933)(8.8)(ZP)	9
22	17274	HEX BOLT M12X1.75X35(DIN933)(8.8)(ZP)	4
23	17275	HEX BOLT M12X1.75X30(DIN933)(8.8)(ZP)	16
24	17474	HEX BOLT M12X1.75X25(DIN933)(8.8)(ZP)	2
25	3340	HEX BOLT M10X1.50X30(DIN933)(8.8)(ZP)	6
26	14360	SPRING WASHER M8.00(IS 3063)(ZP)	18
27	14366	NYLOCK NUT M28 X 1.50	1
28	14371	CHAIN COVER PAPER GASKET	1
29	14420	U BOLT M10X1.5X71.00X90.00X24 TL (8.8)	1
30	14441	FLANGE BOLT M8X1.25X25(DIN6921)(8.8)(ZP)	16
31	14442	FLANGE BOLT M8X1.25X30(DIN6921)(8.8)(ZP)	2
32	14443	SIDE COVER GD COMP	1
33	14427	J/S HOUSING GASKET RD 0.4 CL	1
34	10014	HEX BOLT M12X1.75X120(IS1364-1)(8.8)(ZP)	4
35	10010	JACK SHAFT HOUSING CLAMP	2

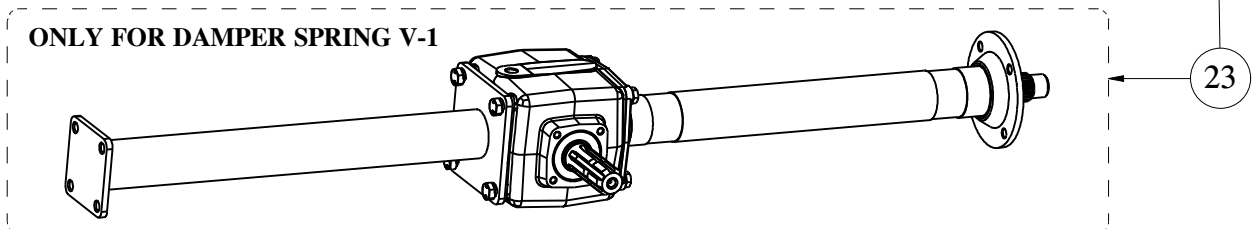
GEAR BOX PARTS



ONLY FOR DAMPER SPRING V-1



ONLY FOR DAMPER SPRING V-1

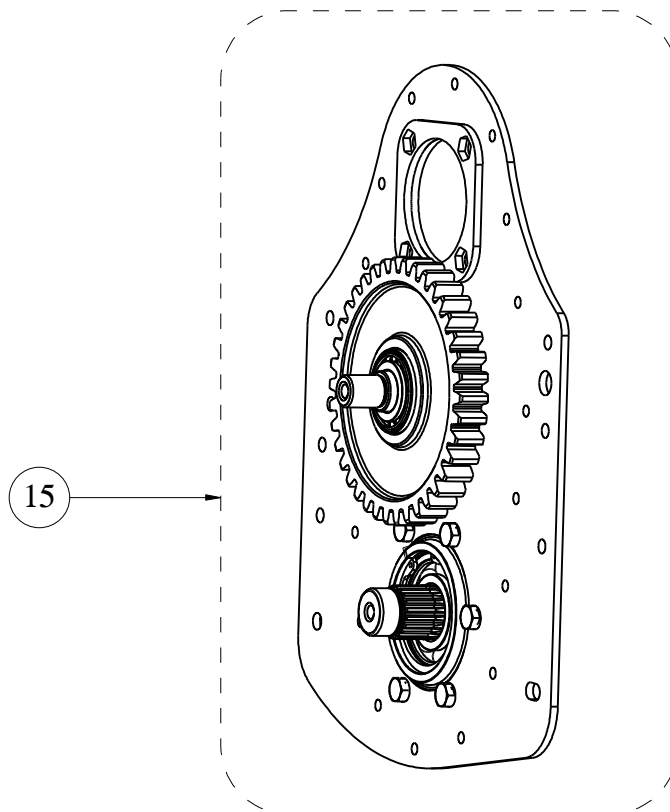
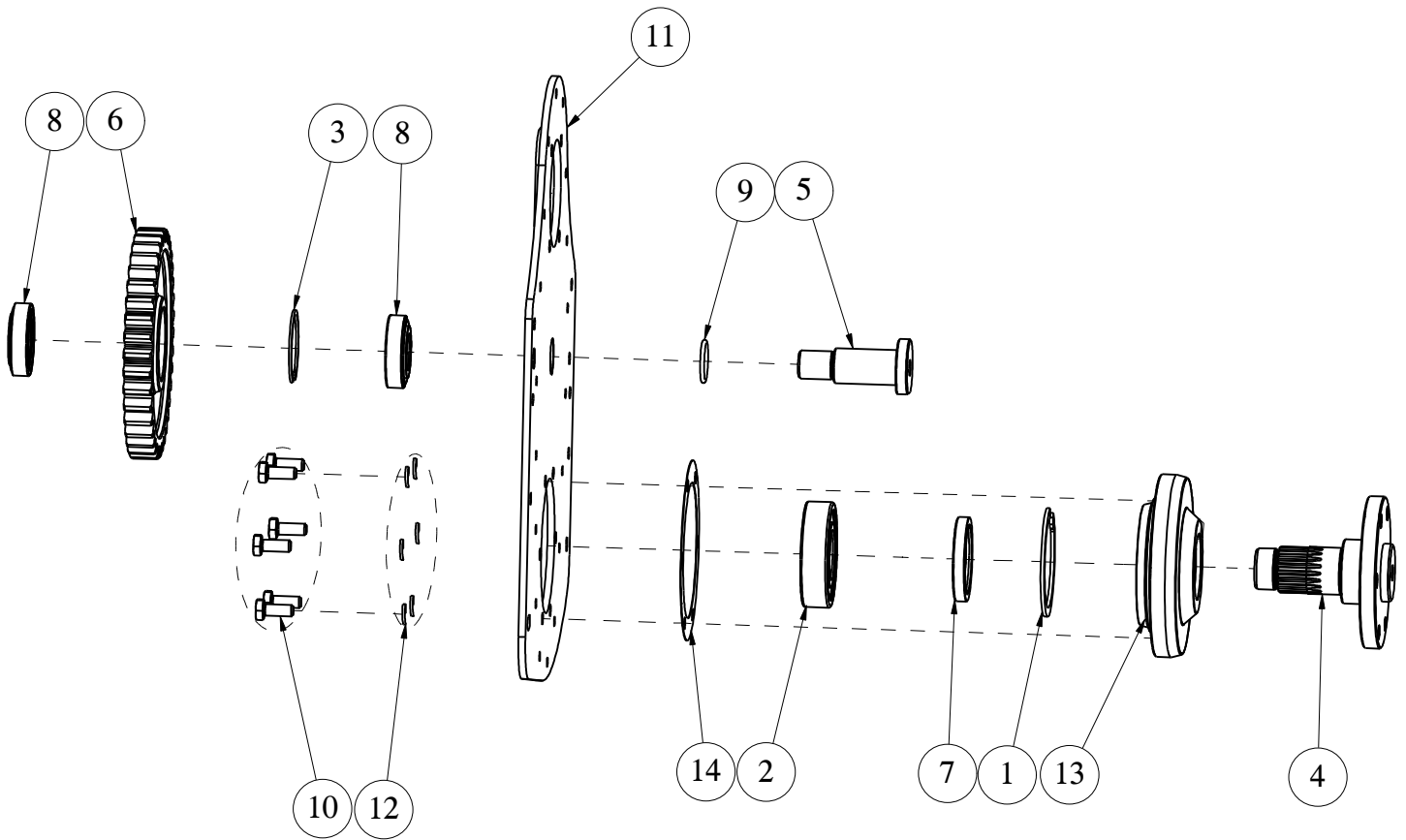


GEAR BOX PARTS



Sr. No.	Part No.	Description	Qty.
1	1003	BEARING 30207	2
2	8120	CIRCLIP INTERNAL 62mm	2
3	11058	EXTERNAL CIRCLIP 30MM	1
4	14043	GEAR BOX 540 RPM	1
5	14044	JACK SHAFT HOUSING GASKET GD	1
6	14046	INPUT SHAFT	1
7	14047	PINION 15 TEETH	1
8	14362	SPRING WASHER M12.00(IS 3063)(ZP)	4
9	14049	CROWN WASHER	1
10	14053	BEARING 30305	1
11	14054	BEARING 6007	1
12	14056	OIL SEAL 35 X 55 X 8	1
13	14057	OIL SEAL 35 X 62 X 10	1
14	14075	OIL SEAL 62 X 7	1
15	10067	JACK SHAFT 488.5 MM	1
	10205	JACK SHAFT 541 MM	
	10301	JACK SHAFT 568	
	14268	JACK SHAFT 641 MM CM	
	14045	JACK SHAFT 793.5 MM	
16	10199	J/S HSG. (J-488.5) (EL-380.5)	1
	10206	J/S HSG. (J-541) (EL-433)	
	10300	J/S HSG. (J-568) (EL-459.65)	
	14269	J/S HSG. (J-641) (EL-533)	
	14006	J/S HSG. (J-793.5) (EL-685.5)	
17	14312	DRAIN CAP 3/8" BSP (1GTC02UW)	1
18	17270	HEX BOLT M10X1.50X25(DIN933)(8.8)(ZP)	4
19	17474	HEX BOLT M12X1.75X25(DIN933)(8.8)(ZP)	4
20	3340	HEX BOLT M10X1.50X30(DIN933)(8.8)(ZP)	1
21	14361	SPRING WASHER M10.00(IS 3063)(ZP)	5
22	14404	FULL HSG. COMP 1.2M	1
	14411	FULL HSG. COMP 1.5M	
23	10204	GEAR BOX ASSEMBLY 540 RPM 0.9M	1
	10302	GEAR BOX ASM. 540 RPM 1.05M	
	10211	GEAR BOX ASSEMBLY 540 RPM 1.2M	
	14079	GEAR BOX ASSEMBLY 540 RPM 1.5M	
	14412	GEAR BOX ASM. 540 RPM 1.5M FH	
	14270	GEAR BOX ASM. 540 RPM 639M CM	
	14408	GEAR BOX ASM. 540 RPM CM F.H.	

SIDE DRIVE PARTS (GEAR DRIVE)

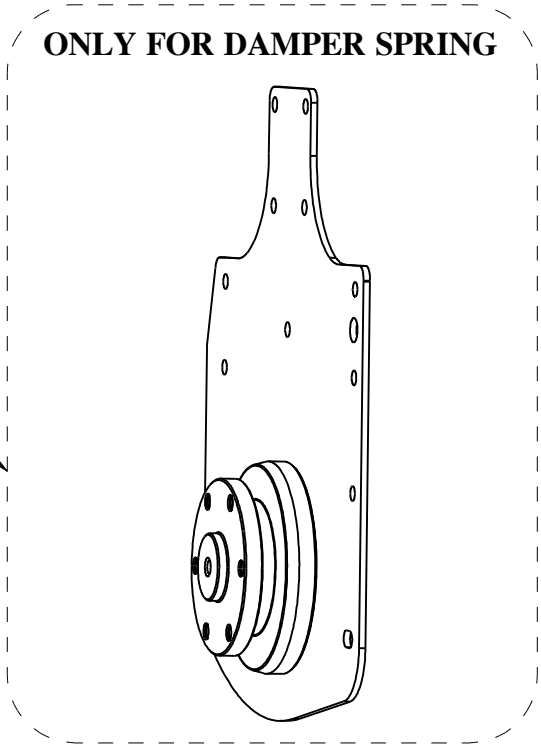
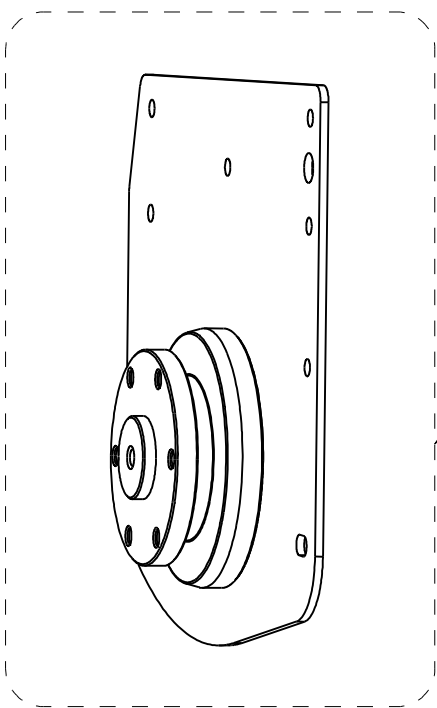
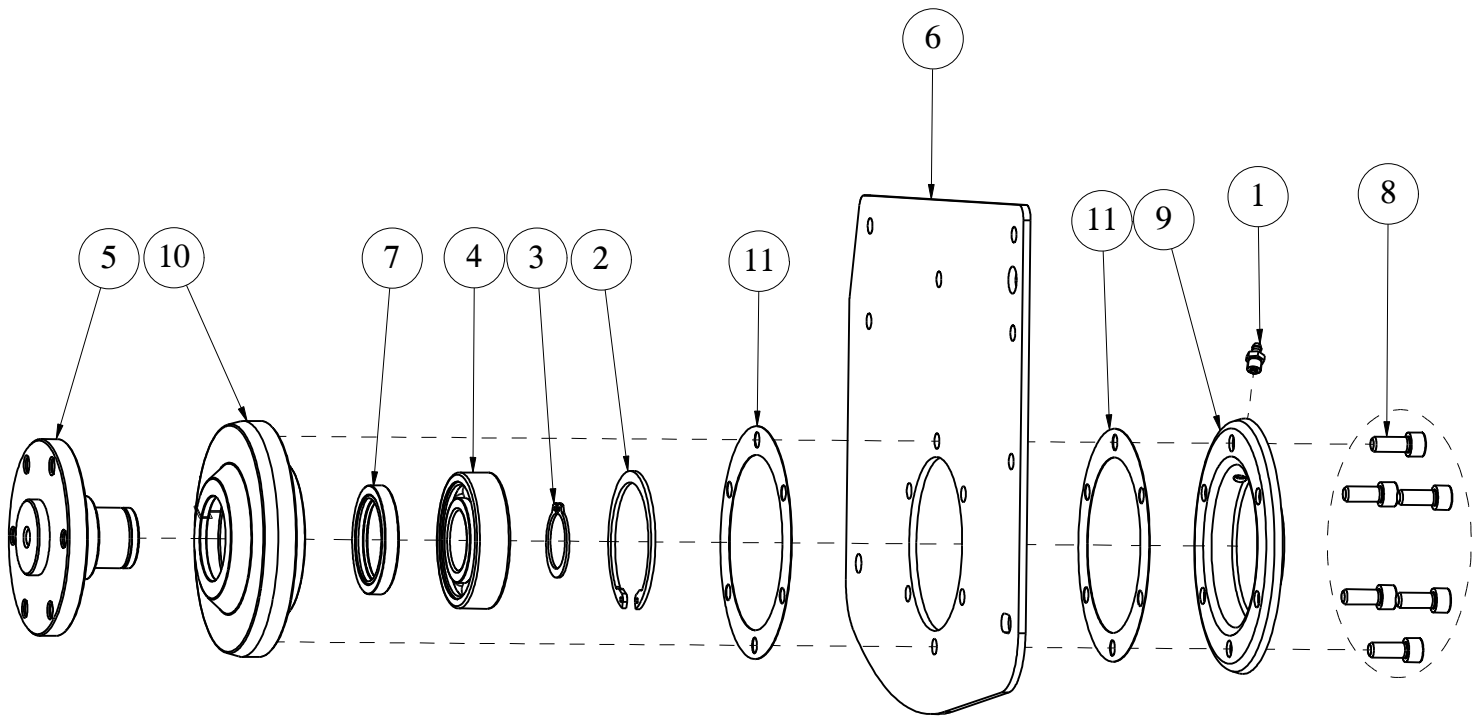


SIDE DRIVE PARTS (GEAR DRIVE)



Sr. No.	Part No.	Description	Qty.
1	3027	CIRCLIP INTERNAL 90MM	1
2	8036	BEARING 6308	1
3	8120	CIRCLIP INTERNAL 62mm	1
4	14022	R D SHAFT	1
5	14025	R D SHAFT SMALL	1
6	14033	GEAR 38 TEETH	1
7	14051	OIL SEAL 55 X 72 X 10	1
8	14055	BEARING 30206	2
9	14131	O RING 30 x 3.50	1
10	17270	HEX BOLT M10X1.50X25(DIN933)(8.8)(ZP)	6
11	14320	R D PLATE GD COMP	1
12	14361	SPRING WASHER M10.00(IS 3063)(ZP)	6
13	14438	ROTOR SHAFT HOUSING V1	1
14	14426	STUB AXLE COVER GASKET 0.4 CL	1
15	14077	R D PLATE ASSEMBLY	1

STUB AXLE PARTS

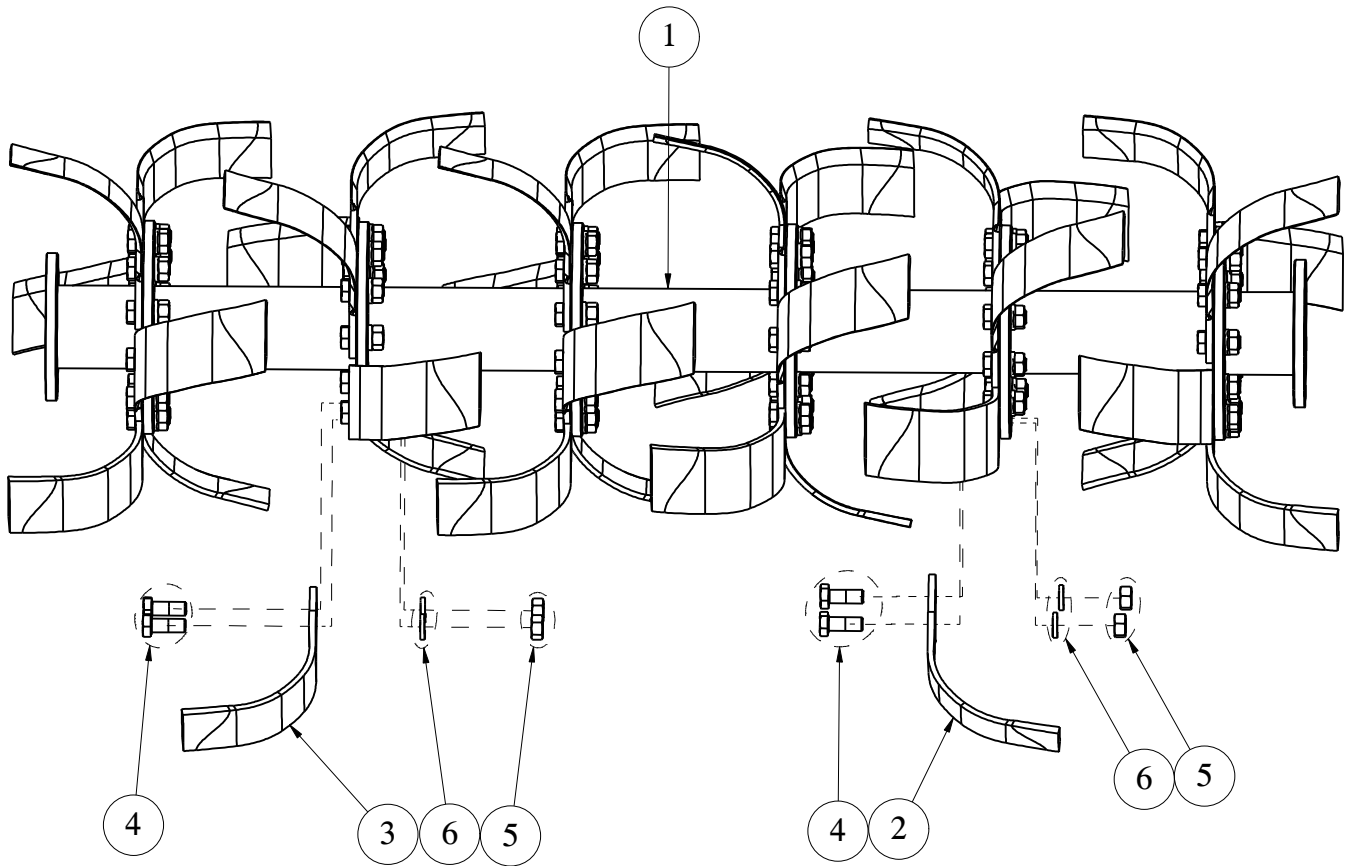


STUB AXLE PARTS

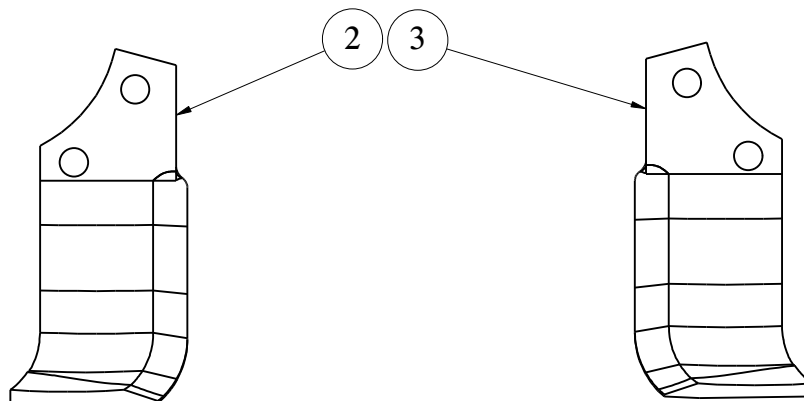


Sr. No.	Part No.	Description	Qty.
1	1253	1/8 BSP GREASE NIPPLE 7.5MM	1
2	3027	CIRCLIP INTERNAL 90MM	1
3	8027	CIRCLIP EXTERNAL 40MM	1
4	8036	BEARING 6308	1
5	14021	STUB AXLE SHAFT	1
6	14023	S D PLATE	1
	14406	S D PLATE (F.H) (ONLY FOR DS)	
7	14051	OIL SEAL 55 X 72 X 10	1
8	2833	ALLEN BOLT M10X1.5X25-FT-12.9DIN912-ZINC	6
9	14256	SD PLATE END COVER COMP.	1
10	14438	ROTOR SHAFT HOUSING V1	1
11	14426	STUB AXLE COVER GASKET 0.4 CL	2
12	14409	S D PLATE ASSEMBLY (F.H) (ONLY FOR DS)	1
	14078	S D PLATE ASSEMBLY	

ROTOR BLADE C-TYPE (156x113)



BLADE C-TYPE (156x113)

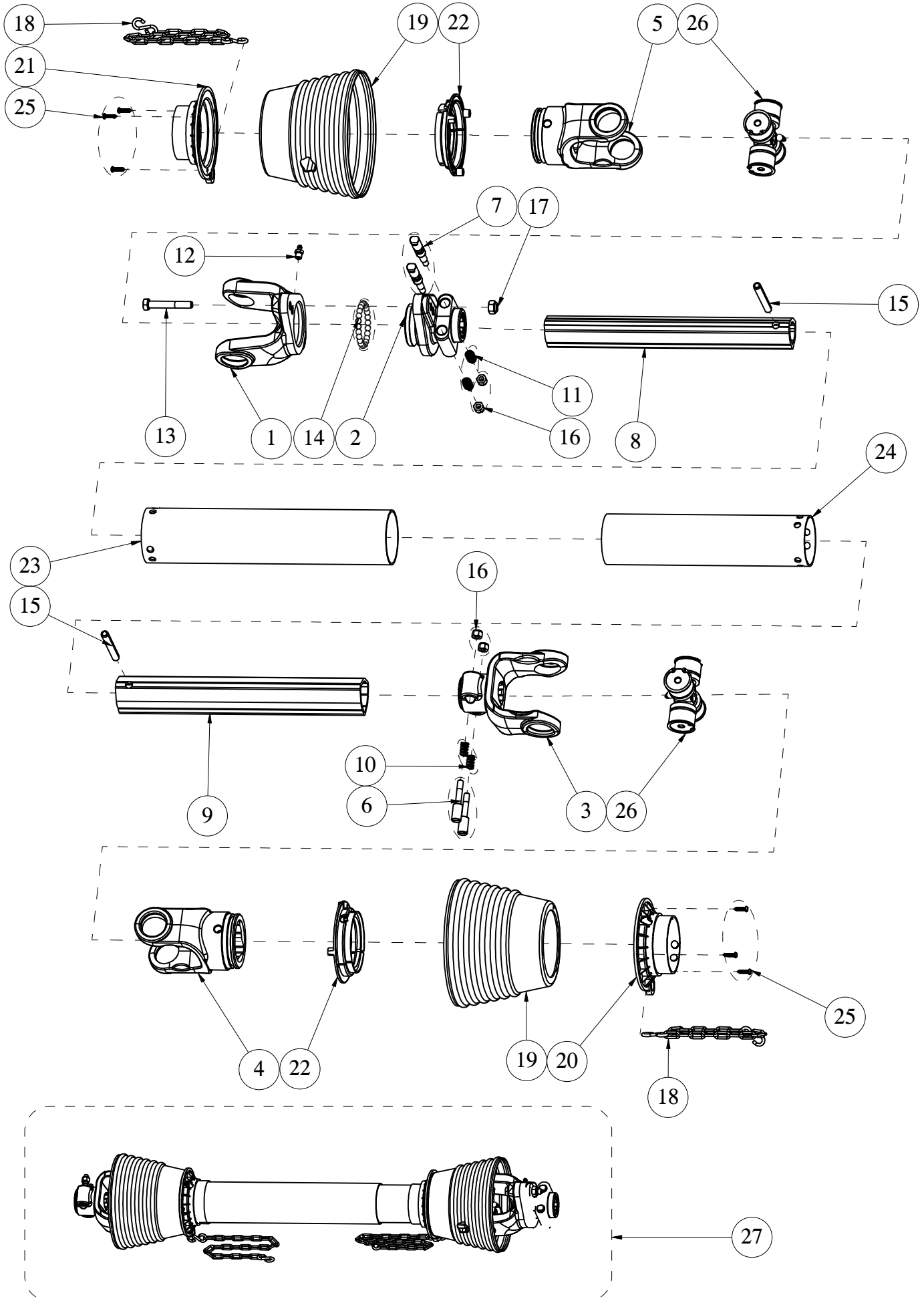


ROTOR PARTS



Sr. No.	Part No.	Description	Qty.
1	10202	ROTOR SRT-0.9M C/L-TYPE (60X6)	1
	10298	ROTOR SRT-1.05M C/L-TYPE(60X6)	
	10209	ROTOR SRT-1.2M C/L-TYPE (60X6)	
	14002	ROTOR SRT-1.5M C/L-TYPE (60X6)	
2	14041	BLADE C-TYPE LH (60X6)(156X113)	AS. REQ.
3	14040	BLADE C-TYPE RH (60X6)(156X113)	AS. REQ.
4	14324	HEX BOLT M12 X 1.25 X 30(HT-10.9)DIN 960	AS. REQ.
5	14336	HEX NUT M12X1.25(DIN 934)(10)(ZP)	AS. REQ.
6	14339	SPRING WASHER 1/2"(ASME B 18.21.1)	AS. REQ.

SHEAR BOLT PTO



SHEAR BOLT PTO



Sr. No.	Part No.	Description	Qty.
1	1252	SHEAR BOLT YOKE	1
2	1255	DOUBLE PIN HUB	1
3	1234	PLAIN YOKE 6-SPLINE	1
4	1245	OUTER TUBE YOKE	1
5	1249	INNER TUBE YOKE	1
6	1257	PUSH PIN SMALL	2
7	1259	PUSH PIN BIG	2
8	1247	INNER TUBE 14.5"	1
9	1246	OUTER TUBE 14.5"	1
10	1258	PUSH PIN SPRING SMALL	2
11	1260	PUSH PIN SPRING BIG	2
12	1253	1/8 BSP GREASE NIPPLE 7.5MM	1
13	1261	HEX BOLT M10X1.50X65(IS1364-1)(8.8)(ZP)	1
14	1263	STEEL BALLS SHEAR BOLT YOKE	24
15	1264	DOWEL PIN DIA 10 X 85	2
16	1297	NYLOCK NUT M8X1.25 (DIN-982)	4
17	1298	NYLOCK NUT M10X1.50 (DIN-982)	1
18	1320	PTO CHAIN	2
19	1516	JOINT COVER CONE	2
20	1517	OUTER PIPE COVER CAP	1
21	1518	INNER PIPE COVER CAP	1
22	1519	RETAINER COLLER	2
23	1510	OUTER PIPE PLASTIC (14.5")	1
24	1511	INNER PIPE PLASTIC (14.5")	1
25	18358	SLOTTED HEAD SCREW M4 X 0.7 X20	6
26	1675	CROSS WITH SEAL (GOGO)	2
27	1274	SHEAR BOLT PTO 6SP COMP(COVER)14.5"	1



TirthAgroTechnologyPvt.Ltd.

“SHAKTIMAN”, Survey No.-108/1,

Plot No. B,NH-27, Nr. Bharudi Toll Plaza,

Bhunava (Village), Taluka: Gondal,

Dist.: Rajkot – 360311,

State: Gujarat- INDIA,

Phone: + 91(2827) 661637 / 270537

Fax: + 91(2827) 270457

e-mail: info@shaktimanagro.com

www.shaktimanagro.com